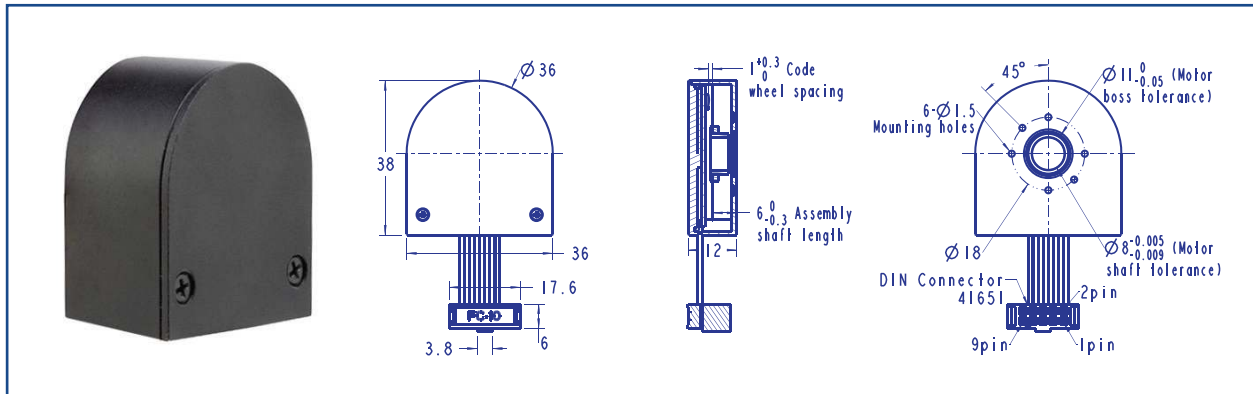


## AM-EN3612T003 SERIES



### OPTICAL ENCODER

#### 1) Parameters

Parameters/Models	AM-EN3612 T003-1000	AM-EN3612 T003-1024	AM-EN3612 T003-2000	AM-EN3612 T003-2048	AM-EN3612 T003-4000	AM-EN3612 T003-4096
Diameter	36.0	36.0	36.0	36.0	36.0	36.0
PPR/TURN	1000	1024	2000	2048	4000	4096
Max Channels	3	3	3	3	3	3
Max Working Freq.(KHz)	55~220	55~220	55~220	55~220	55~220	55~220
Direction Signal	no	no	no	no	no	no
Drive (Differential Output)	no	no	no	no	no	no

#### 2) Information

Technical Parameter		Suitable for motor size		Pin definition	Connection Diagram (CW)
Power Vcc	5V±5%	Suitable for shaft diameter	5.0; 8.0	1. NC	2.Vcc
Vcc=5.0V Signal	TTL compatible	Suitable for shaft length	5.2~5.5	3. A	4. B
Operating Temperature	-25~80 °C	Suitable for boss diameter	10.95~11.0	5. GND	6. NC
Inertia (max)	1.18 g.cm <sup>2</sup>	Suitable for boss thickness	Maximum 1.0	7. Z	8. NC
Output Current, each channel	1.5mA(max)	Code wheel spacing	0.8~1.1	9. NC	10. NC
Weight	29.0 g	Other fixed size	Drawing		

#### 3) Recommend Combination

Total Length of Geared Motor System : L <sub>T</sub> =L <sub>1</sub> +L <sub>2</sub> +(L <sub>3</sub> =12.0mm)					
<b>L1:45GP</b>	<b>L1:52GP</b>	<b>L2:BL45</b>	<b>L1:36GP</b>	<b>L1:40GP</b>	<b>L2: BL36</b>
62.8	81.0	100.0	39.6	46.8	60.5
			48.6	58.3	
			57.6	69.8	
<b>L1:40GP</b>	<b>L1:45GP</b>	<b>L2:BL40</b>	<b>L1:60GP</b>		<b>L2: BL65</b>
46.8	62.8	60.0	73.5		108.5
58.3	74.8				
69.8					

**AM-EN3612\*\*\* Combination Scheme**

**Recommended Gearbox:**  
Planetary Gearbox:  
AM-36GP  
AM-40GP  
AM-45GP  
AM-52GP

**Recommended Motor:**  
Brushless Motor:  
AM-BL/D36\*\*  
AM-BL/D45\*\*  
AM-BL40\*\*

For more combination specs, visit Assun Motor website.

Remarks: Clients can choose gearbox and motor to match with this encoder. Some combinations are listed here for reference.

Please tell us if there is vibration in application. Client should pay attention to the integrity and reliability of the transmitted signal.

Download datasheet: <https://assunmotor.com/documents-download>

Visit Our Website and Online Shop at <https://assunmotor.com> Contact: [info@assunmotor.com](mailto:info@assunmotor.com)