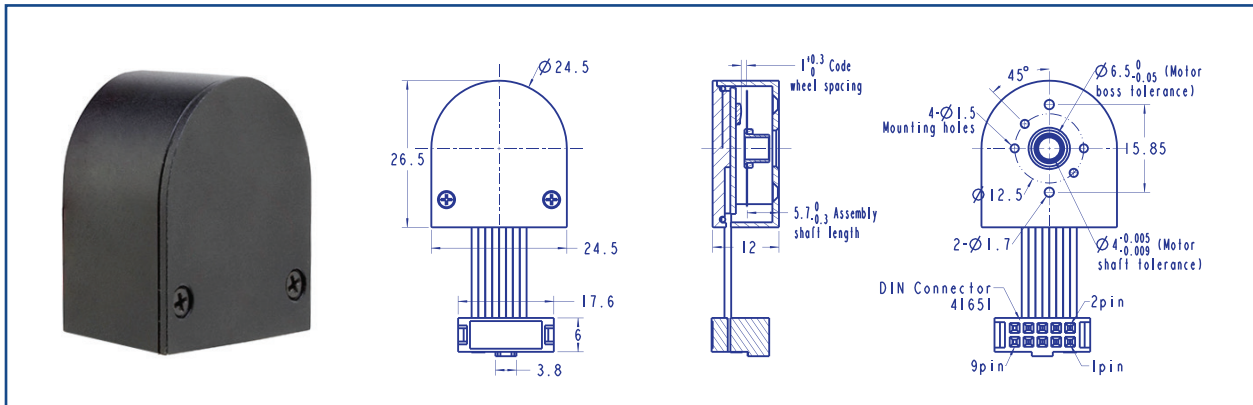


## AM-EN2412T003 SERIES



### OPTICAL ENCODER

#### 1) Parameters

Parameters/Models	AM-EN2412 T003-500	AM-EN2412 T003-512	AM-EN2412 T003-1000	AM-EN2412 T003-1024	AM-EN2412 T003-2000	AM-EN2412 T003-2048
Diameter	24.5	24.5	24.5	24.5	24.5	24.5
PPR/TURN	500	512	1000	1024	2000	2048
Max Channels	3	3	3	3	3	3
Max Working Freq.(KHz)	55~220	55~220	55~220	55~220	55~220	55~220
Direction Signal	no	no	no	no	no	no
Drive (Differential Output)	no	no	no	no	no	no

#### 2) Information

Technical Parameter		Suitable for motor size		Pin definition		Connection Diagram (CW)
Power Vcc	5V±5%	Suitable for shaft diameter	3.0; 4.0	1. NC	.Vcc	
Vcc=5.0V Signal	TTL compatible	Suitable for shaft length	5.2~5.5	3. A	4. B	
Operating Temperature	-25~80 °C	Suitable for boss diameter	6.45~6.5	5. GND	6. NC	
Inertia (max)	0.23 g.cm <sup>2</sup>	Suitable for boss thickness	Maximum 1.0	7. Z	8. NC	
Output Current, each channel	1.5mA(max)	Code wheel spacing	0.8~1.1	9. NC	10. NC	
Weight	17.0 g	Other fixed size	Drawing			

#### 3) Recommend Combination

Total Length of Geared Motor System :L <sub>T</sub> =L <sub>1</sub> +L <sub>2</sub> +(L <sub>3</sub> =12.0mm)						
L1:24GP	L1:28GP	L2:BL24	L1:28GP	L1:32GP	L2:BL28	
22.2	25.9	53.0	25.9	27.4	45.0	<b>Recommended Gearbox:</b> Planetary Gearbox: AM-24GP AM-28GP AM-32GP AM-36GP For more combination specs, visit Assun Motor website.
27.4	33.1		33.1	35.9		
32.6	40.3		40.3	44.4		
L1:32GP	L1:36GP	L2:BL32				<b>Recommended Motor:</b> BRUSH LESS Motor: AM-BL/D24** AM-BL/D28** AM-BL/D32**
27.4	39.6	60.0				
35.9	48.6	70.0				
44.4	57.6					

Please tell us if there is vibration in application. Client should pay attention to the integrity and reliability of the transmitted signal.

Download datasheet: <https://assunmotor.com/documents-download>

Visit Our Website and Online Shop at <https://assunmotor.com> Contact: [info@assunmotor.com](mailto:info@assunmotor.com)