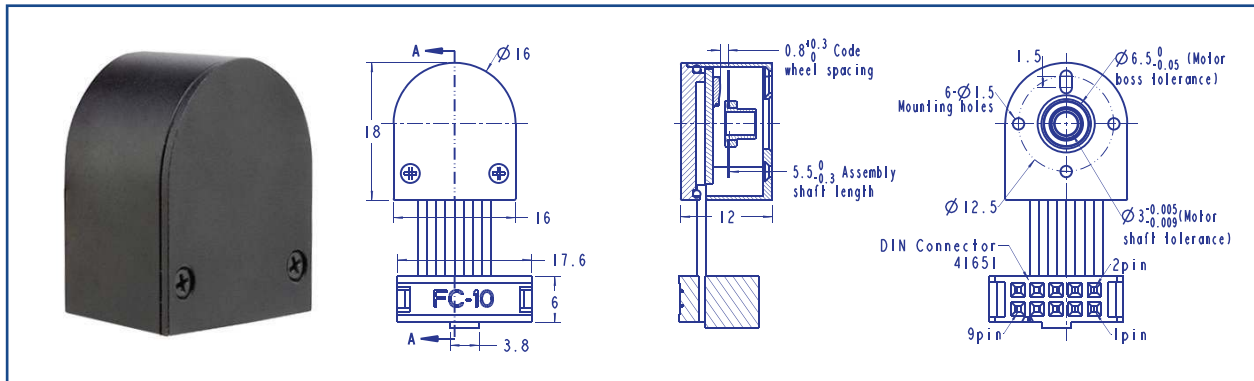


AM-EN1612T003 SERIES



OPTICAL ENCODER

1) Parameters

Parameters/Models	AM-EN1612 T003-360	AM-EN1612 T003-720	AM-EN1612 T003-1440			
Diameter	16	16	16			
PPR/TURN	360	720	1440			
Max Channels	3	3	3			
Max Working Freq.(KHz)	55~220	55~220	55~220			
Direction Signal	no	no	no			
Drive (Differential Output)	no	no	no			

2) Information

Technical Parameter		Suitable for motor size		Pin definition		Connection Diagram (CW)
Power Vcc	5V±5%	Suitable for shaft diameter	2.0; 3.0	1. NC	2.Vcc	
Vcc=5.0V Signal	TTL compatible	Suitable for shaft length	5.2~5.5	3. A	4. B	
Operating Temperature	-25~80 °C	Suitable for boss diameter	6.45~6.5	5. GND	6. NC	
Inertia (max)	0.06 g.cm ²	Suitable for boss thickness	Maximum 1.0	7. Z	8. NC	
Output Current, each channel	1.5mA(max)	Code wheel spacing	0.8~1.1	9. NC	10. NC	
Weight	11.0 g	Other fixed size	Drawing			

3) Recommend Combination

Total Length of Geared Motor System :L _T =L ₁ +L ₂ +(L ₃ =12.0mm)						<p>AM-EN1612T*** Combination Scheme</p>
L1:20GP	L1:24GP	L2:BL20	L1:16GP	L1:20GP	L2:BL16	
18.8	22.2	40.0	15.9	18.8	40.0	
23.6	27.4		23.3	23.6		
28.4	32.6		27.0	28.4		
						<p>Recommended Gearbox: Planetary Gearbox: AM-16GP AM-20GP AM-24GP</p> <p>Recommended Motor: BRUSH LESS Motor: AM-BL16** AM-BL20**</p> <p>For more combination specs, visit Assun Motor website.</p> <p>Remarks: Clients can choose gearbox and motor to match with this encoder. Some combinations are listed here for reference.</p>

Please tell us if there is vibration in application. Client should pay attention to the integrity and reliability of the transmitted signal.

Download datasheet: <https://assunmotor.com/documents-download>