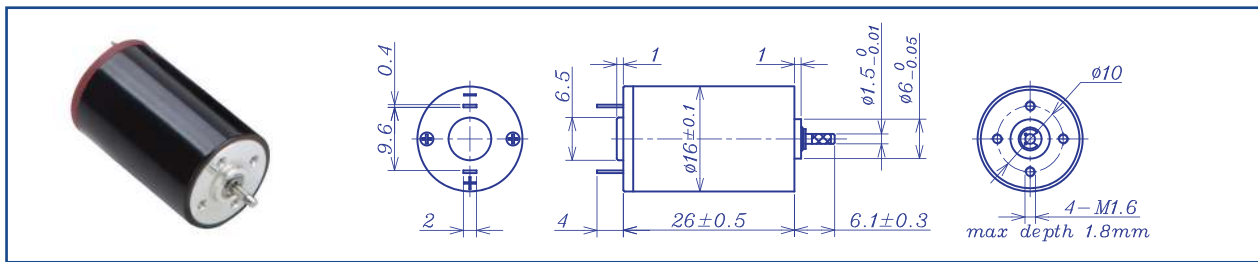


AM-CL1626MAN SERIES

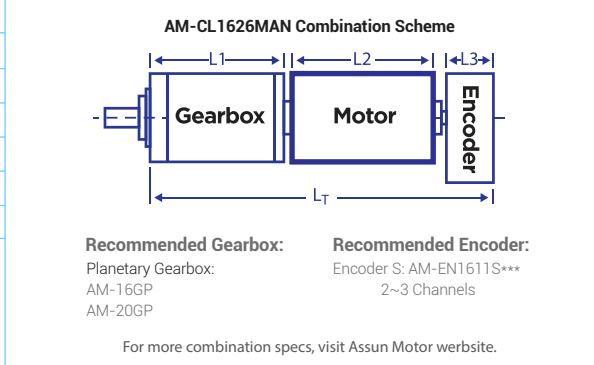


		Precious metal brush				Ball Bearings				
Motor Model		0109	0308	0310	0608	0610	1210	1212	2414	
Nominal voltage		V	1.5	3	3	6	6	12	12	24
No load speed ±12%		rpm	9350	8256	10340	8129	10544	10691	12075	14306
No load current Max 150%		mA	68	25	25	10	18	10	9.2	12
Recommend limit for continuous operating	Max cont. torque	mN.m	1.2	2.5	2.1	2.7	1.8	2.5	2.3	2.2
	Rated Speed	rpm	8117	5736	8594	6001	9134	8426	10247	12476
	Rated Current	mA	850	750	800	400	350	250	250	150
	Rated Power	W	1.0	1.5	1.9	1.7	1.7	2.2	2.4	2.9
Starting current		mA	6000	2400	4615	1500	2500	1143	1600	1091
Stall torque		mN.m	9	8	13	10	13	12	15	17
Maximum power output		W	2.2	1.8	3.4	2.2	3.7	3.4	4.7	6.4
Maximum Efficiency		%	80	81	86	84	84	82	85	80
Terminal resistance ±12%		Ω	0.25	1.25	0.65	4.0	2.4	10.5	7.5	22
Inductance (1KHz)		mH	0.003	0.031	0.016	0.15	0.095	0.4	0.29	0.85
Mechanical time constant		ms	14.2	12.7	10.3	9.8	9.9	11.2	10.1	10.5
Moment of inertia		gcm ²	1.3	1.2	1.2	1.2	1.2	1.2	1.2	1.2
Torque constant		mN.m/A	1.5	3.4	2.8	7.0	5.4	10.6	9.4	15.8
Speed constant		rpm/V	6305	2781	3465	1364	1770	899	1012	603
Speed/torque gradient		rpm/mN.m	1041	1012	817	779	787	888	804	837
Weight		g	22.6	22.4	22.4	22.4	22.4	22.1	22.2	22.4

ADDITIONAL INFORMATION

Motor thermal resistance:	37.6K/W	Motor thermal time constant:	400S
Axial (dynamic):	3.4 N	Radial (5mm from mounting face):	2.6 N
Press-fit force (static):	36 N	Max allowable screw depth into flange:	1.8 mm
Maximum radial play (5mm from mounting face):	≤0.02 mm	Axial play:	Preset
Maximum winding temperature:	85°C	Ambient temperature range:	-30 to 65°C
Standard rear shaft diameter:	2 mm	Standard rear shaft length "L":	0/3.7 mm

Total Length (Gearbox and Motor): L _T =L ₁ +L ₂ +L ₃			
L1:16GP	L1:20GP	L2:CL16	L3
15.9	18.8	26.0	-
23.3	23.6		
27.0	28.4		



Remarks: Client can choose gearbox and encoder to match with this motor. Some combinations are listed here for reference.

Motor data tested at 25°C. Motor operation exceeding continuous limits will reduce life or result in damage. At elevated ambient temperatures, load current must be reduced.

Download datasheet: <https://assunmotor.com/documents-download>