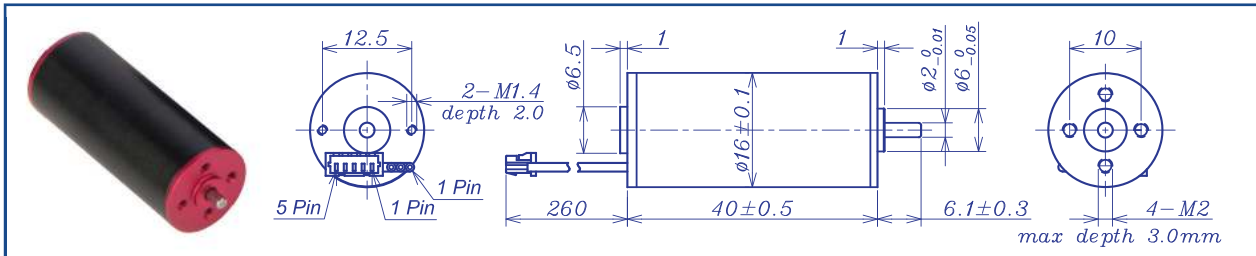


AM-BL1640AN Series

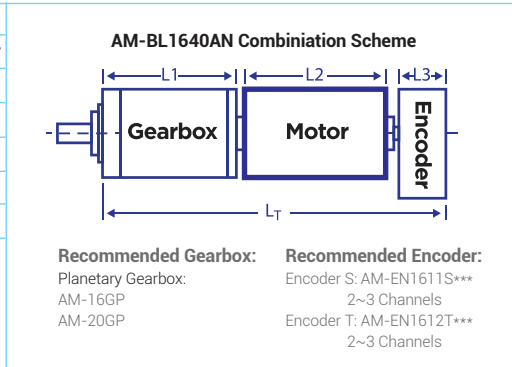


		Brushless Motor				Ball Bearings				
Motor Model		1231	1219	1216	1834	1819	1815	2417	2412	
Nominal voltage	V	12	12	12	18	18	18	24	24	
No load speed	±12% rpm	30890	19320	15750	34300	18900	15210	17380	11690	
No load current	Max150% mA	150	90	70	120	65	55	45	38	
Recommend limit for continuous operating	Max cont. torque	mN.m	6.1	7.1	6.7	4.9	6.6	7.0	6.9	
	Rated Speed	rpm	27977	15845	12465	31908	15903	12085	14353	8273
	Rated Current	mA	1800	1300	1000	1100	800	650	580	400
	Rated Power	W	17.8	11.8	8.7	16.3	11.0	8.4	10.5	6.0
Starting current	mA	17647	6818	4528	14173	4700	2951	3117	1277	
Stall torque	mN.m	64	39	32	70	42	32	40	24	
Maximum power output	W	52.0	19.9	13.2	62.7	20.6	12.8	18.2	7.2	
Maximum Efficiency	%	82	78	77	82	78	75	77	68	
Terminal resistance	±12% Ω	0.68	1.76	2.65	1.27	3.83	6.1	7.7	18.8	
Inductance	(1KH ₂) mH	0.036	0.11	0.17	0.075	0.27	0.42	0.58	1.28	
Mechanical time constant	ms	2.1	2.1	2.1	2.1	2.0	2.0	1.9	2.1	
Moment of inertia	gcm ²	0.41	0.41	0.41	0.41	0.41	0.41	0.41	0.41	
Torque constant	mN.m/A	3.7	5.9	7.2	5.0	9.0	11.1	13.0	19.0	
Speed constant	rpm/V	2596	1632	1333	1922	1065	861	735	505	
Speed/torque gradient	rpm/mN.m	480.0	490.6	493.2	491.2	454.7	473.6	435.5	496.2	
Weight	g	42.2	42.1	41.8	42.1	42.2	41.8	41.9	41.8	

ADDITIONAL INFORMATION

Motor thermal resistance:	17.9K/W	Motor thermal time constant:	439S
Axial (dynamic):	1.5 N	Radial (5mm from mounting face):	6.0 N
Press-fit force (static):	40 N	Max allowable screw depth into flange:	3.0 mm
Maximum radial play (5mm from mounting face):	≤0.02 mm	Axial play:	0 (<2.0N)
Maximum winding temperature:	85°C	Ambient temperature range:	-30 to 65°C
Standard rear shaft diameter:	2 mm	Standard rear shaft length "L":	0/3.7/5.5 mm

Connection (AWG 26#)	Total Length: L _T =L1+L2+L3				
Cable 1:Yellow Winding A	L1:16GP	L1:20GP	L2:BL16	L3:EN16S	L3:EN16T
Cable 2:Red Winding B	15.9	18.8	40.0	10.7	12.0
Cable 3:Blue Winding C	23.3	23.6			
Plug definition (AWG 28#) Molex:51021-0500	27.0	28.4			
Plug 1: Red Hall 3~16V					
Plug 2: Black Hall GND					
Plug 3 :Yellow Hall A					
Plug 4: Red Hall B					
Plug 5 :Blue Hall C					



Motor data tested at 25°C. Motor operation exceeding continuous limits will reduce life or result in damage. At elevated ambient temperatures, load current must be reduced.

Download datasheet: <https://assunmotor.com/documents-download>