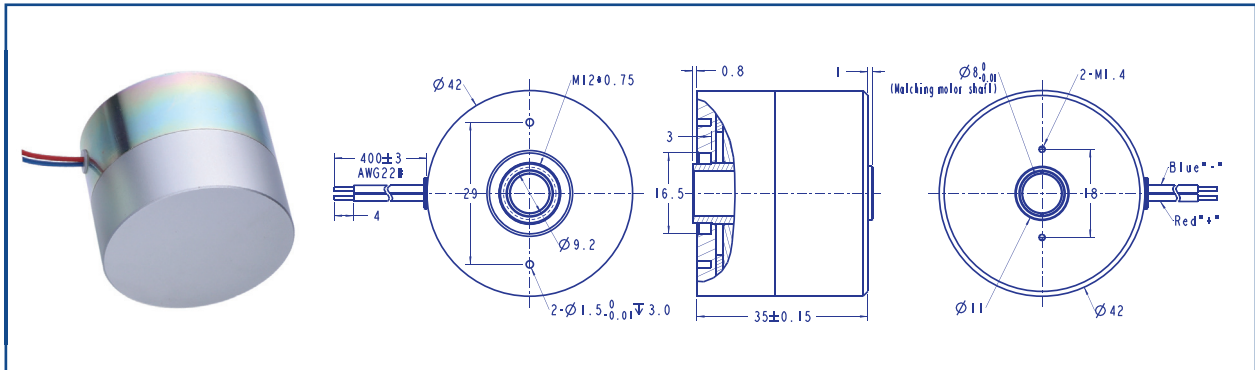


AM-BK4235LE Series



ELECTROMAGNETIC BRAKE

1) Parameters

| Parameters/Models | Static friction torque | Rated voltage | Power | Temperature rating | Maximum speed | Moment of inertia | Weight |
|-------------------|------------------------|--------------------|-----------------------|--------------------|--------------------------|-----------------------------------|---------|
| AM-BK4235LE-2410 | 1.0 N.M | 24 V | 7.5 W | 120 °C | 8000 rpm | 77.56 g.cm ² | 211.2 g |
| Parameters/Models | Life time | Thermal resistance | Thermal time constant | Coil inductance | Electrical time constant | Operating Environment Temperature | |
| AM-BK4235LE-2410 | 100000 Times | 12.6 K/W | 908 s | 60.9 mH | 1.1 ms | -25~55 °C (Customizable) | |

2) Special features

- Fixed accuracy, no backlash
- Small size and high torque
- low noise, high speed
- Fast response and long life

3) Applications

- Robotic brake
- Z-axis brake
- Servo motor static braking
- General purpose motor

4) Precautions

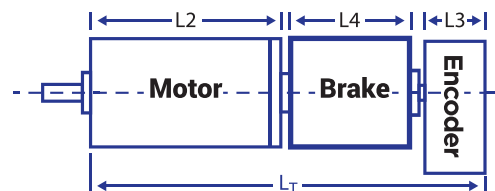
- Avoid contact with oil or dust, these factors will reduce the torque of the product;
- Please connect with the product with the correct voltage and polarity to avoid damage or abnormal work;
- The initial torque may not reach the rated torque for the first time. Please rotate 50 to 60 times at 40 to 60 rpm in the braking state;
- This product cannot be used as a high-speed dynamic brake.

5) Recommended Combination

Total Length of Geared Motor System: $L_T=L_2+L_3+L_4(=35\text{mm})$

| L2:BL45 | L3:EN22S | L2:BL45 | L3:EN36T |
|---------|----------|---------|----------|
| 100.0 | 10.7 | 100.0 | 12.0 |
| | | | |
| | | | |
| L2:BL65 | L3:EN22S | L2:BL65 | L3:EN36T |
| 108.5 | 10.7 | 108.5 | 12.0 |
| 140.0 | | 140.0 | |
| | | | |
| | | | |

AM-BK4235LE Combination Scheme



Recommended Motor:
 Brush less Motor:
 AM-BL/D45***
 AM-BL65***

Recommended Encoder:
 Encoder S: AM-EN2211S***
 2~3 Channels
 Encoder T: AM-EN3612T***
 2~3 Channels

For more combination specs, visit Assun Motor website.

For more Motor and encoder specs, see Assun Motor website.

Please tell us if there is vibration in application. Client should pay attention to the integrity and reliability of the transmitted signal.

Download datasheet: <https://assunmotor.com/documents-download>