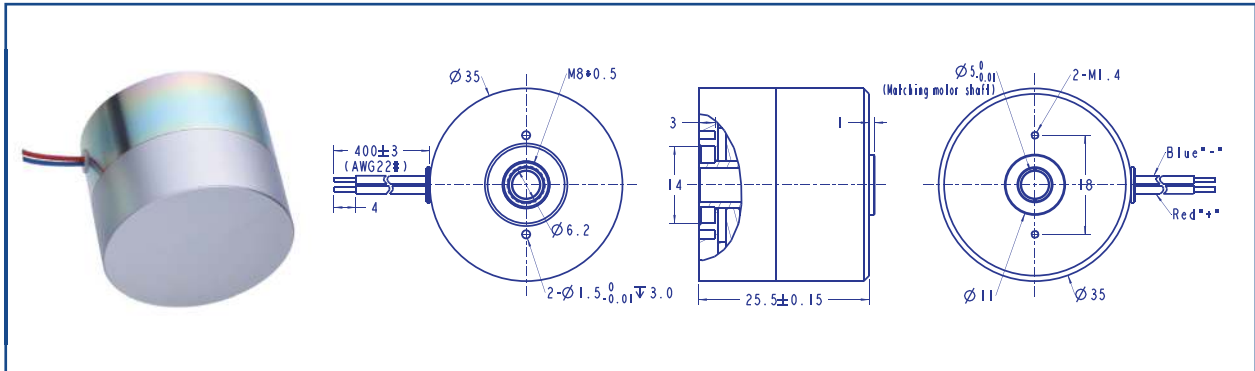


AM-BK3526GE Series



ELECTROMAGNETIC BRAKE

1) Parameters

Parameters/Models	Static friction torque	Rated voltage	Power	Temperature rating	Maximum speed	Moment of inertia	Weight
AM-BK3526GE-2405	0.5 N.M	24 V	7.7 W	120 °C	8000 rpm	28.44 g.cm ²	106.4 g
Parameters/Models	Life time	Thermal resistance	Thermal time constant	Coil inductance	Electrical time constant	Operating Environment Temperature	
AM-BK3526GE-2405	100000 Times	20.0 K/W	630 s	59.3 mH	0.8 ms	-25~55 °C (Customizable)	

2) Special features

- Fixed accuracy, no backlash
- Small size and high torque
- Low noise, high speed
- Fast response and long life

3) Applications

- Robotic brake
- Z-axis brake
- Servo motor static braking
- General purpose motor

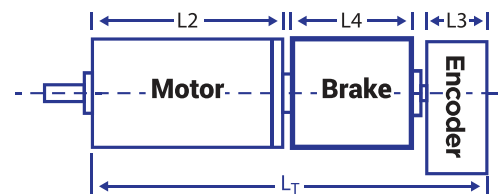
4) Precautions

- Avoid contact with oil or dust, these factors will reduce the torque of the product;
- Please connect with the product with the correct voltage and polarity to avoid damage or abnormal work;
- The initial torque may not reach the rated torque for the first time. Please rotate 50 to 60 times at 40 to 60 rpm in the braking state;
- This product cannot be used as a high-speed dynamic brake.

5) Recommended Combination

Total Length of Geared Motor System: $L_T=L_2+L_3+L_4(=25.5\text{mm})$				
L2:BL36	L3:EN22S	L2:BL36	L3:EN36T	
60.5	10.7	60.5	12.0	
75.0		75.0		
90.0		90.0		
L2:BL40	L3:EN22S	L2:BL40	L3:EN36T	
60.0	10.7	60.0	12.0	

AM-BK3526GE Combination Scheme



Recommended Motor:
Brush less Motor:
AM-BL/D36**
AM-BL40**

Recommended Encoder:
Encoder S: AM-EN2211S***
2~3 Channels
Encoder T: AM-EN3612T***
2~3 Channels

For more combination specs, visit Assun Motor website.

For more Motor and encoder specs, see Assun Motor website.

Please tell us if there is vibration in application. Client should pay attention to the integrity and reliability of the transmitted signal.

Download datasheet: <https://assunmotor.com/documents-download>

Visit Our Website and Online Shop at <https://assunmotor.com> Contact: info@assunmotor.com