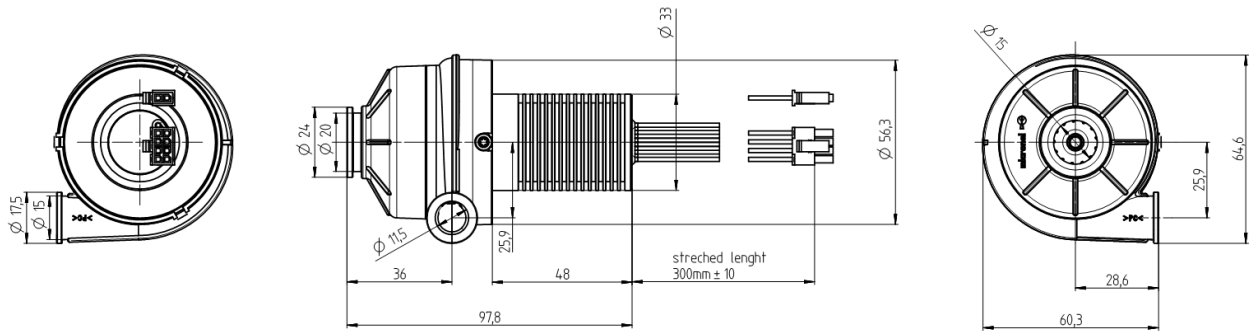
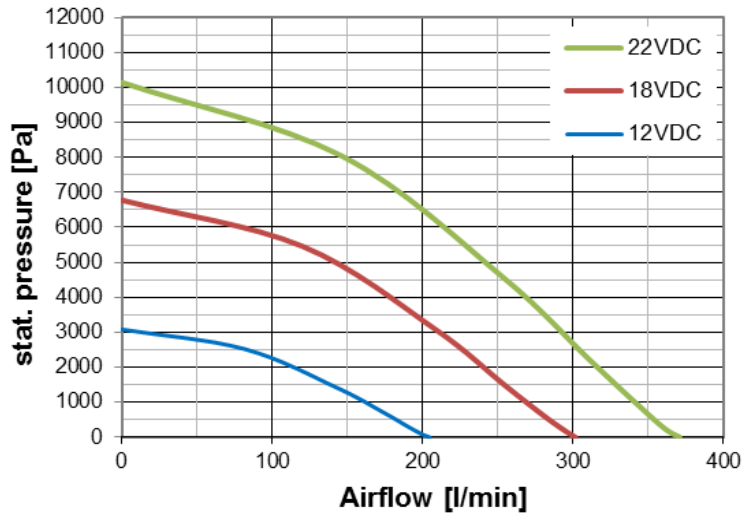
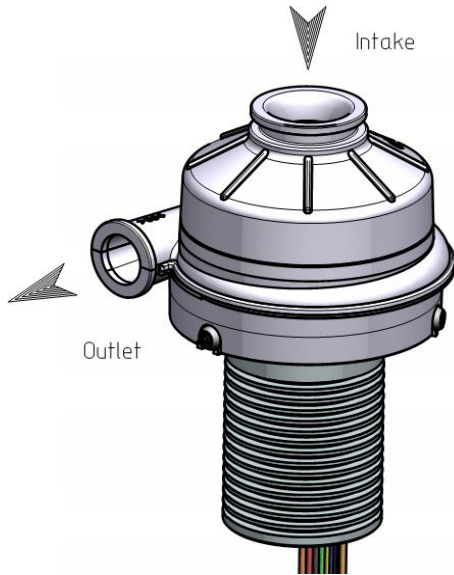


**Miniatur Radial Gebläse**  
**Miniature Radial Blower**



Direction of rotation CCW 

## Technische Daten

### Allgemeine Beschreibung

Kompakter Lüfter mit effizientem Motor. Eigenschaften: Material: Gehäuse: PC, Flügelrad: PA. Bürstenloser 3-Phasen Motor ohne integrierter Elektronik.

## Technical data

### General description

Compact blower with an efficient motor. Features: Material: housing: PC, impeller: PA. Brushless 3-Phase motor without integrated electronic.

		U65H2-024KX-6 / U65H4-024KX-6
$U_N$	VDC	18
U	VDC	12.0-22.0
$I_N$ freeblowing	mA	2'270
$I_N$ typ. work. point	mA	2'010
$I_N$ static	mA	790
$P_N$ typ. work. point	W	36
$n$ freeblowing	min <sup>-1</sup>	33'650
$n$ typ. work. point	min <sup>-1</sup>	34'200
$n$ static	min <sup>-1</sup>	36'400
$V$ freeblowing	l/min	330
$V$ typ. work. point	l/min	220
$p$ work. point	Pa	3'800
$p$ static	Pa	7'300
$LpA_{(WP)}$	dB(A)	74 dB(A) at 1'000 Pa (10 mbar) and 1m distance
T	°C	-20...+50
m	gr	270
Leads	mm	300 (AWG24)
Housing material		PC
Impeller material		PA6
Sleeve Bearing		N/A
Ball Bearing		•
Tacho		•

Data's at Density: 1.2kg/m<sup>3</sup>

## Operating Instruction and Warning

U65H2-024KX-6 / U65H4-024KX-6

**Electrical connection**

U65H2-024KX-6  
Connector type: MOLEX 43025-0800

AWG	PIN	Description	Colour
24	1	Hall sensor 1	Blue
24	2	Hall sensor 2	Black
24	3	Vhall 4.5... 18VDC	Yellow
24	4	Motorwinding 3	Orange
24	5	Hall sensor 3	Grey
24	6	GND	Green
24	7	Motorwinding 1	Brown
24	8	Motorwinding 2	Red

U65H4-024KX-6 NTC  
Connector type: MOLEX 43025-0800

AWG	PIN	Description	Colour
24	1	Hall sensor 1	Blue
24	2	Hall sensor 2	Black
24	3	Vhall 4.5... 18VDC	Yellow
24	4	Motorwinding 3	Orange
24	5	Hall sensor 3	Grey
24	6	GND	Green
24	7	Motorwinding 1	Brown
24	8	Motorwinding 2	Red

Connector type: MOLEX 43025-0200

AWG	PIN	Description	Colour
24	1	NTC sensor	White
24	2	NTC sensor	White

**Blower limits during continuous operation and warning**



- Max. allowed temperature on heat sink surface: 85° C
- Maximum speed 45'000 1/min
- Heat sink temperature increase at 18 V, freeblowing 10 K
- Heat sink temperature increase at 18 V, static pressure 34 K

- Handle only in currentless condition

**Power supply requirement**

Ripple voltage < 5%  
**3000 mA**

**Info**

**Specifications are subject to change without notice.  
Specifications on this Datasheet are for reference.**

Version: 26.05.2015 RA

Doc: U65H\_-024KX-6 without integrated electronics.doc