



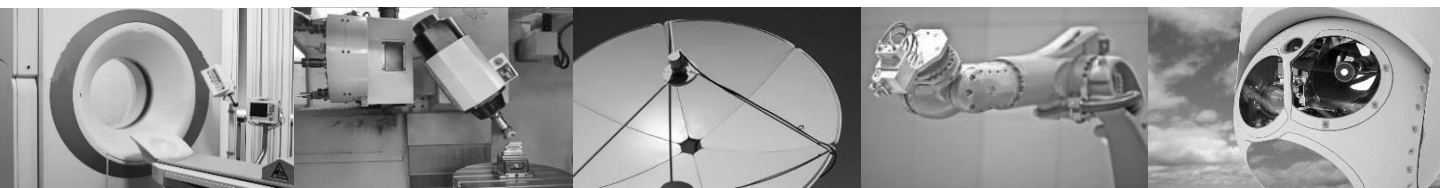
Zettlex IncOder™ Product Guide

Midi Ultra Range 75-300mm

High Accuracy

Inductive Angle Encoders

MIDI ULTRA Revision 4.11.7 June 2020



- No contacts
- No bearings
- No couplings
- No maintenance
- Absolute
- Compact
- Easy installation
- Accurate
- Robust
- Integral electronics
- >500 Million product options
- Economical
- Global support



.....they tick all the boxes.



1. Introduction	4
2. Product Options	5
3. Manufacturing & Quality	6
4. Technical Data	7
4.1 Ultra High Accuracy Screw Mount Stator & Screw Mount Rotor Format - Product Option INC-3H	7
4.2 Ultra High Accuracy Servo Clamp Stator & Set Screw Rotor Format - Product Option INC-4H	9
4.3 Ultra High Accuracy Servo Clamp Stator & Plain Rotor Format - Product Option INC-6H	11
4.4 Ultra High Accuracy Duplex Format - Product Option INC-10H	13
4.5 Mechanical Format Combinations	15
4.6 Custom Mechanical Formats	15
4.7 Axial Connector – Product Option AC1	16
4.8 Radial Connections - Product Options RFC1-14	17
4.9 Integral Cable - Product Options AFL to FFL1-52	22
4.10 Extended Product Range	27
4.11 Measurement & Electrical Data	29
4.12 Environmental & Further Data	30
5. Communication Interfaces	31
5.1 Output Resolution	31
5.2 Zero Point Set & Zero Reset for Digital Outputs	31
5.3 Multi-Turn	32
5.4 Synchronous Serial Interface (SSI) - Product Options SSI1-9, SSI31-32	33
5.5 Asynchronous Serial Interface - Product Options ASI1-2, ASI31-32	37
5.6 Serial Peripheral Interface - Product Options SPI1, SPI31	39
5.7 A/B/Z Pulse Interface – Product Options ABZ1-6	42
5.8 BiSS-C Interface – Product Options BIS1-3, BIS31	43
6. Connector Pin Assignments	45
7. Product Ordering	46
8. Accessories	48
9. Frequently Asked Questions	52



1. Introduction

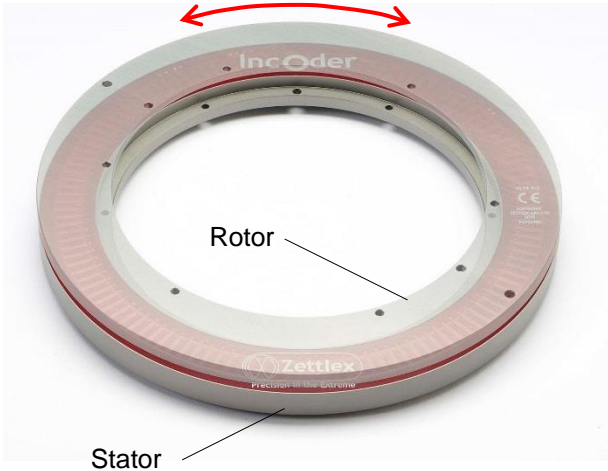
Zettlex IncOders are non-contact devices for precise angle measurement. They use an inductive technique, similar to that used by electrical transformers. IncOders may be considered as an inductive encoder.

Ultra High Accuracy IncOders are calibrated for improved accuracy and an accuracy certificate is provided with each unit.

IncOders are well suited to harsh environments - where potentiometers, optical or capacitive devices might be unreliable.

IncOders have two main parts each shaped like a flat ring: a Stator and a Rotor. The Stator is powered and measures the angular position of the passive Rotor.

A big bore and low axial height allows easy integration with through-shafts, slip-rings, direct drive motors, optical-fibres, pipes or cables.



IncOder technology is proven technology – tried and tested in tough conditions on land, sea and in the air.

IncOders require no service or maintenance and so they are ‘fit and forget’ devices.

They are designed and built so they won't let you down when the going gets tough.

IncOders make it easy to achieve high precision, high reliability angle measurement.

There is no need to consider bearing alignment, seals or wearing parts.



Whereas optical or capacitive sensors can be unreliable in harsh conditions – notably with condensation or dust - IncOders are generally unaffected by foreign matter and IP68 rated versions are available.

Unlike capacitive devices, there is no need to earth the Rotor or Stator.

Robust, aluminium alloy housings with SurTec650 surface finish and monolithic constructions are used throughout.



The IncOder range offers millions of product options. Ultra High Accuracy units are available with up to 19 arc-seconds accuracy depending on size (see Section 4.11). Each Midi Ultra unit is calibrated for improved accuracy and an accuracy certificate is supplied with each unit.

Specify the right product for your application using the IncOder Product Option / Part Number (see Section 7). Each IncOder contains one Stator and one Rotor. Each IncOder contains one Stator and one Rotor, supplied as a matched pair. The range of options are:-

IncOder Size : stated as outer diameter: 75, 90, 100 etc. up to 300mm – see Section 4.

Resolution Options : 17 to 22bits or any integer number of pulses - see Section 5.

Communication Interface Options :

Synchronous Serial Interface – see Section 5.4 (Product Options SSI1-9, SSI31-32)

Asynchronous Serial Interface – see Section 5.5 (Product Options ASI1-2, ASI31-32)

Serial Peripheral Interface – see Section 5.6 (Product Options SPI1, SPI31)

A/B/Z pulses – see Section 5.7 (Product Options ABZ1-6)

BISS-C – see Section 5.8 (Product Options BIS3, BIS31)

Connection Options : radial and axial connections as well as integral cables – see Section 4.7-4.9.

Voltage Options : 5, 12 or 24VDC.

Extended Range Options : these options are only intended for ultra high-reliability applications which may require extended thermal stress screening, bake-out, high shock/vibration constructions, leaded solder, high pressure, long-term water immersion, low or high operating temperatures – see Section 4.10.

A range of Accessories is also available (see Section 8) including:

Cables : various shielded cables with connector.

Rotor Shaft Clamp : a device for connecting Screw Mount Rotors to shafts.

Shims: plastic shims for installation.

Servo Clamps : for installing Servo Clamp format Stators



IncOders are designed, made, tested and shipped by our facility in Cambridge, UK. Commercial and technical support is provided by the same site or through our global network of partners.



IncOder manufacturing processes are well established, having been perfected over years and the production of thousands of products. Every IncOder is serial numbered and tested according to a rigorous acceptance test procedure before dispatch. Detailed test records for every IncOder are stored by Celera Motion. Accuracy certificates are provided with all Ultra range products.



Certificates of conformity are available as well as a RoHS compliance certificate and a REACH statement. IncOders are not ITAR restricted and use no ITAR components. A UK government export license is typically not required for the devices specified in this Product Guide.

All design, manufacturing and commercial processes operate under a comprehensive ISO-9001:2015 quality management system, developed by Zettlex engineers. The quality management system is subject to regular internal and external audit – including an annual audit by a UKAS accredited, independent authority. Zettlex is also certified for the design and manufacture of intrinsically safe (ATEX) sensors under BS EN 13980. Electronics manufacturing is to IPC Class III standards.

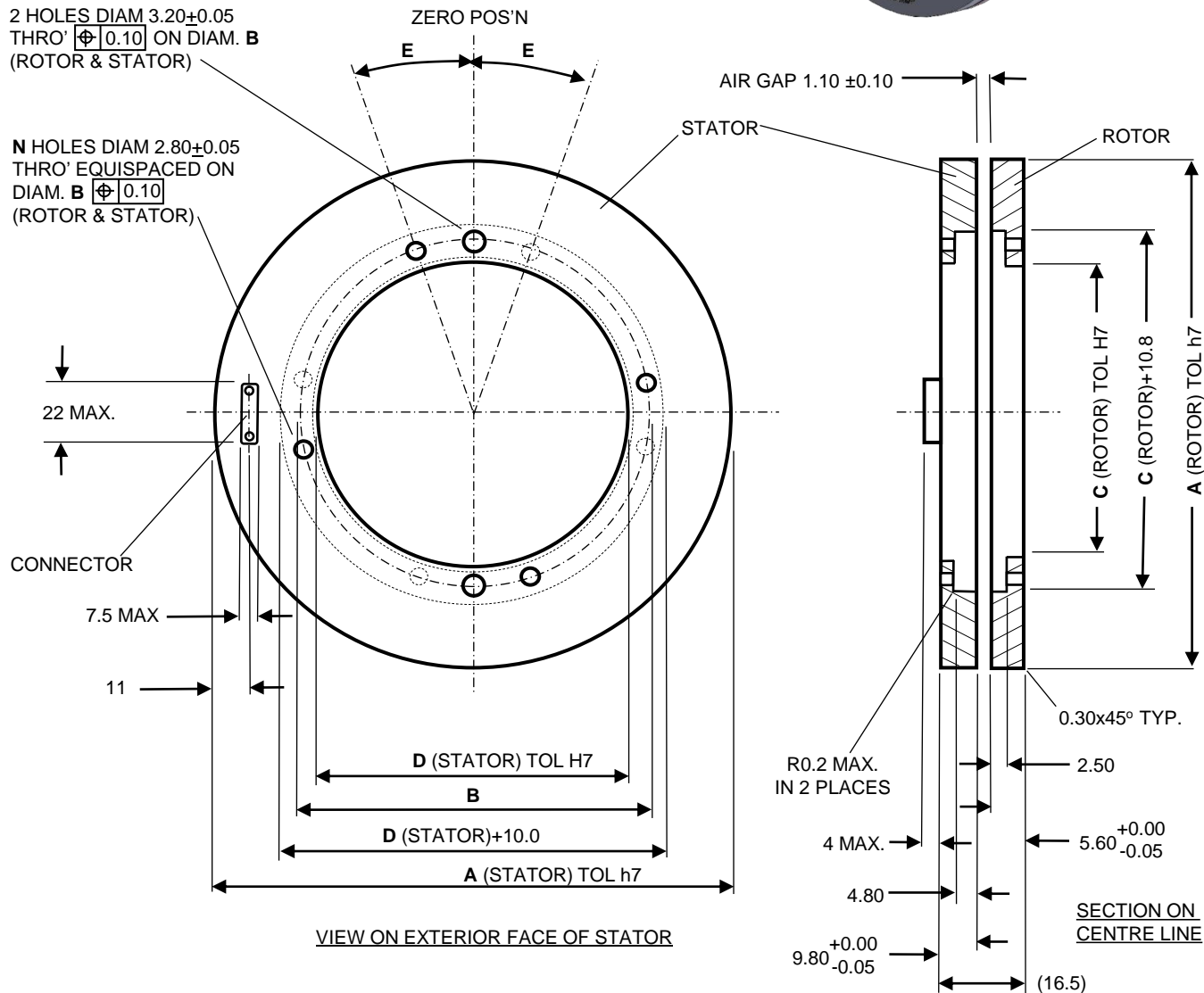
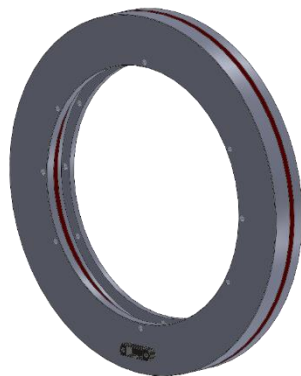
A copy of our ISO-9001 and ATEX certificate is available on www.celeramotion.com.



4.1 Ultra High Accuracy Screw Mount Stator & Screw Mount Rotor Format - Product Option INC-3H

NOTES

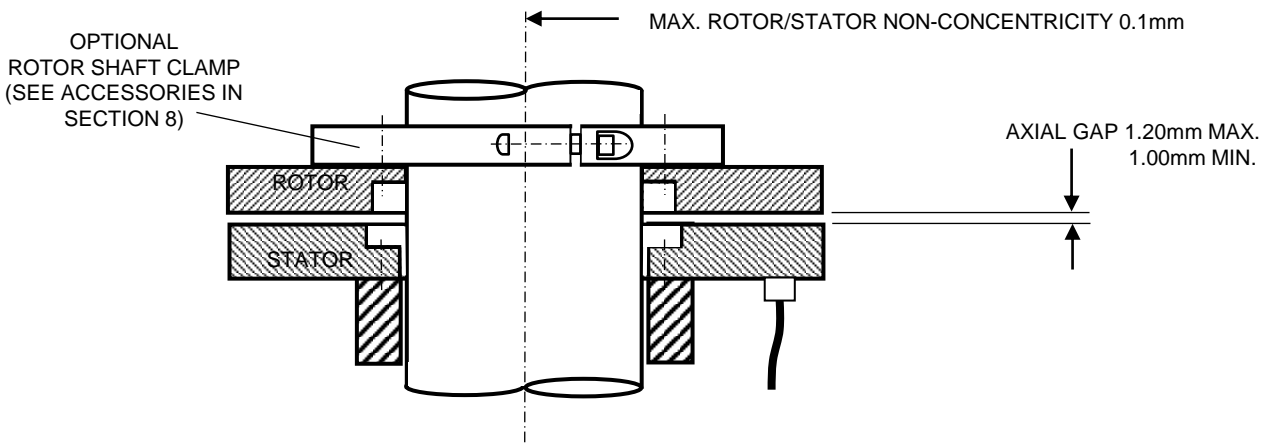
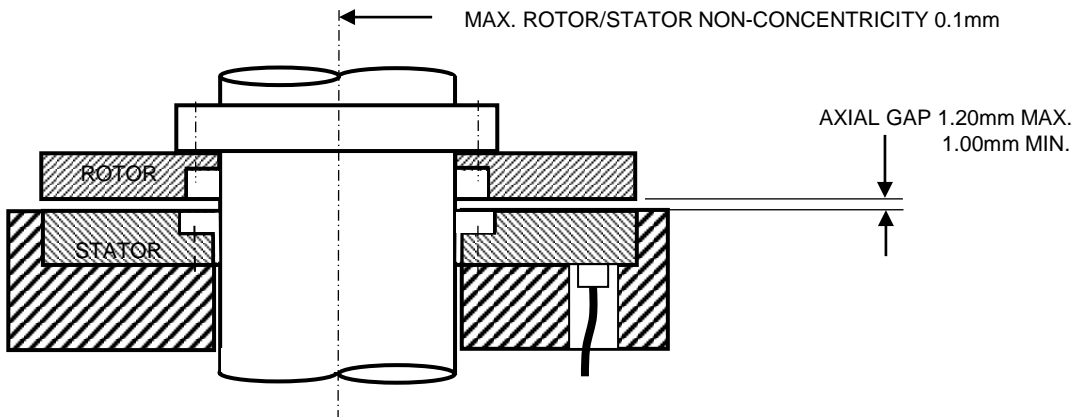
1. **3D CAD MODEL FILES AVAILABLE ON WWW.CELERAMOTION.COM**
2. UNIT SHOWN WITH AXIAL CONNECTOR (AC1)
3. ALL DIMS IN mm – DO NOT SCALE
4. 3RD ANGLE PROJECTION
5. TOLERANCES:- 0 DECIMAL PLACES = ± 0.5
1 DECIMAL PLACES = ± 0.2
2 DECIMAL PLACES = ± 0.1



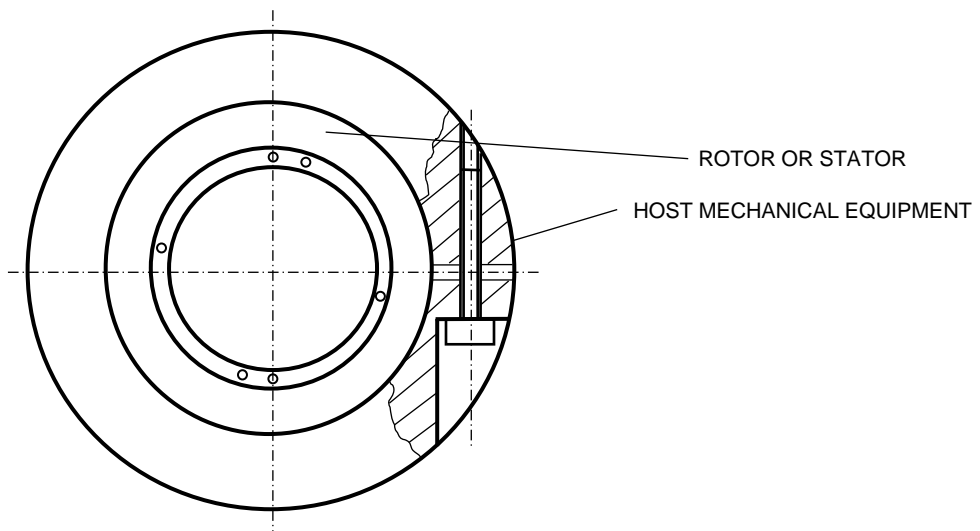
	INC-3H-75	INC-3H-90	INC-3H-100	INC-3H-125	INC-3H-150	INC-3H-175	INC-3H-200	INC-3H-225	INC-3H-250	INC-3H-300	
Dim. A : Stator / Rotor Body O.D.	75.00	90.00	100.00	125.00	150.00	175.00	200.00	225.00	250.00	300.00	mm
Dim. B : Pitch Circle Diameter	30.50	45.50	55.50	80.50	105.50	130.50	155.50	180.50	205.50	255.50	mm
Dim. C : Rotor I.D.	25.00	40.00	50.00	75.00	100.00	125.00	150.00	175.00	200.00	250.00	mm
Dim. D : Stator I.D.	25.80	40.80	50.80	75.80	100.80	125.80	150.80	175.80	200.80	250.80	mm
Dim. E : Offset Angle from T.D.C.	30	30	30	30	30	30	30	30	20	20	degrees
N Number of screw clearance holes	4	4	4	4	6	6	6	6	8	8	
Max. radial misalignment	0.25										mm
Rotor & Stator fixings	Steel screws cap head M2.5 & steel dowels M3										

4.1 Ultra High Accuracy Screw Mount Stator & Screw Mount Rotor Format - Product Option INC-3H

Screw Mount Format IncOders can be installed in various ways and the following sketches show a few examples. Provided the axial gap and concentricity tolerances are maintained, then the stated measurement performance will be met.



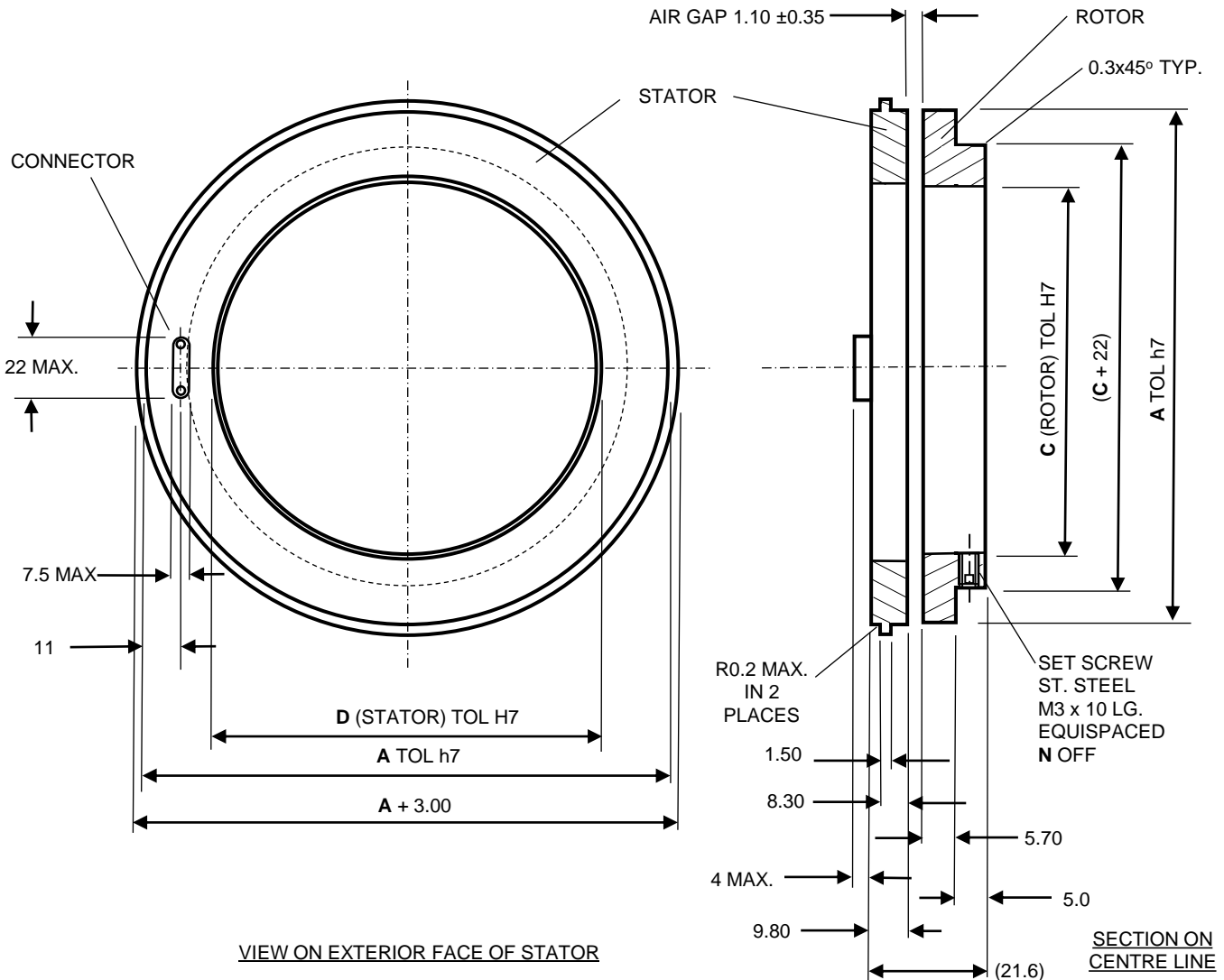
All formats of IncOder can be installed using a circumferential clamp in the host equipment. This applies to Rotor or Stator. Preferably the C-ring's gap is closed by at least one screw.



4.2 Ultra High Accuracy Servo Clamp Stator & Set Screw Rotor Format - Product Option INC-4H

NOTES

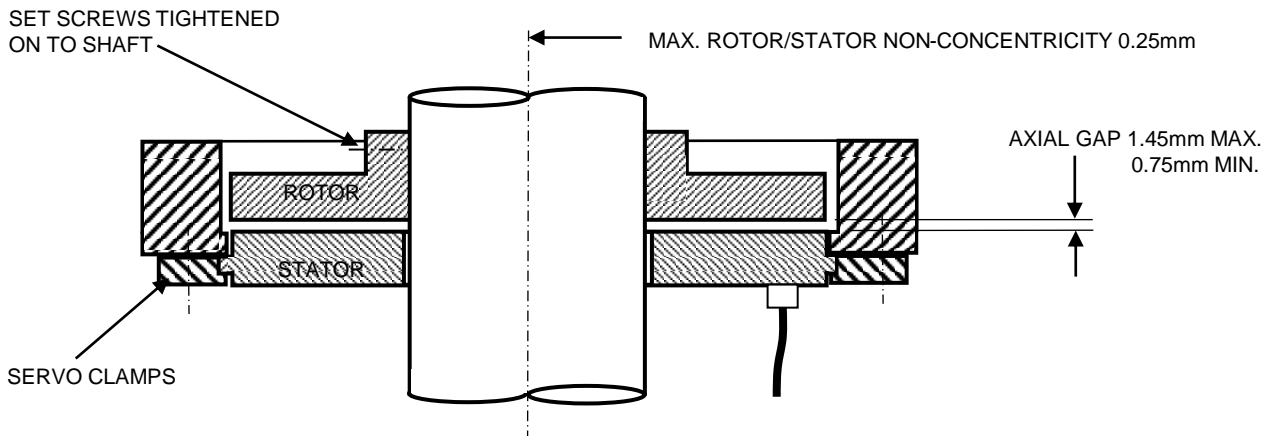
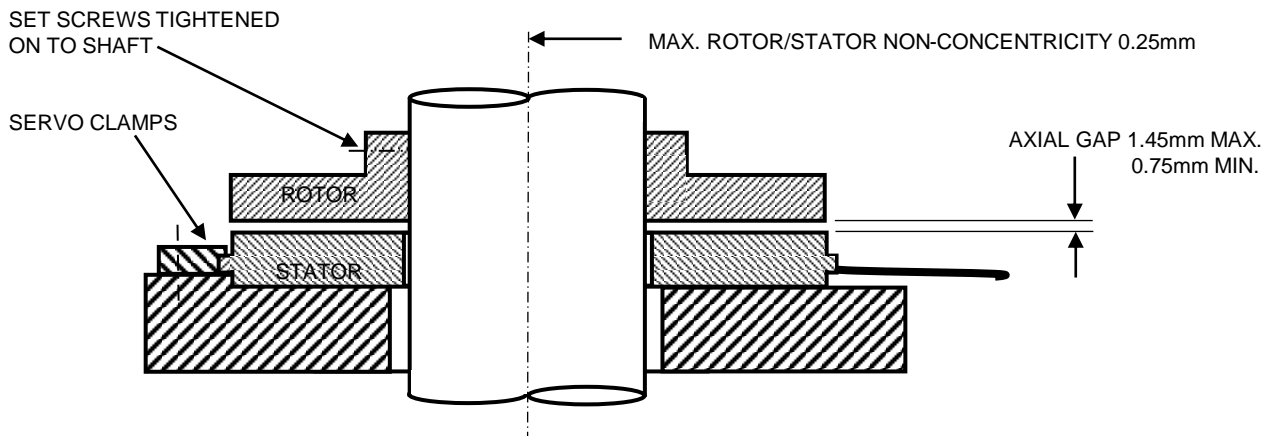
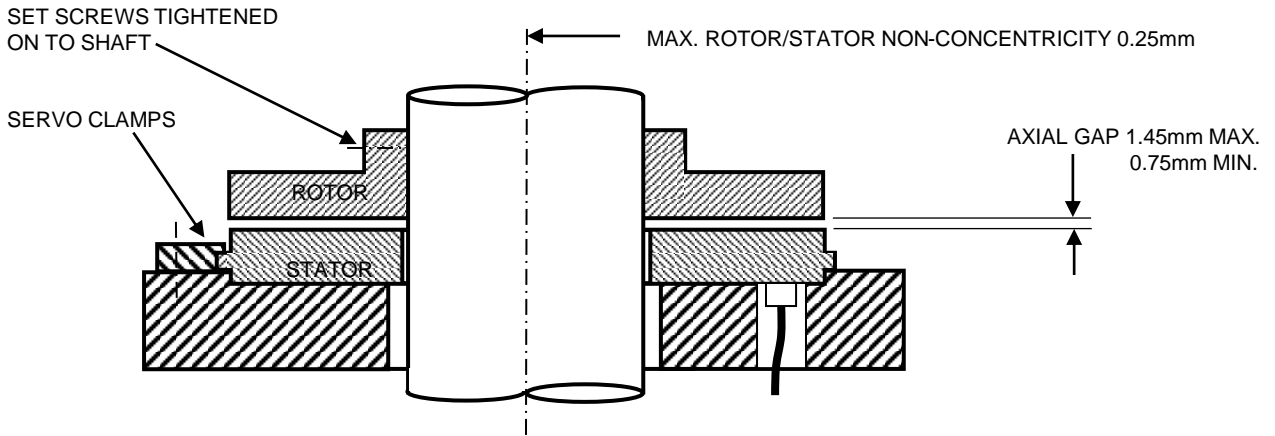
1. **3D CAD MODEL FILES AVAILABLE ON WWW.CELERAMOTION.COM**
2. UNIT SHOWN WITH AXIAL CONNECTOR AC1
3. SEE SECTION 8 FOR CORRESPONDING SERVO CLAMPS
4. ALL DIMS IN mm – DO NOT SCALE
5. 3RD ANGLE PROJECTION
6. TOLERANCES:- 0 DECIMAL PLACES = ±0.5
1 DECIMAL PLACES = ±0.2
2 DECIMAL PLACES = ±0.1



	INC-4H-75	INC-4H-90	INC-4H-100	INC-4H-125	INC-4H-150	INC-4H-175	INC-4H-200	INC-4H-225	INC-4H-250	INC-4-300	
Dim. A : Stator / Rotor Body O.D.	75.00	90.00	100.00	125.00	150.00	175.00	200.00	225.00	250.00	300.00	mm
Dim. C : Rotor I.D.	35.00	50.00	60.00	85.00	110.00	135.00	160.00	185.00	210.00	260.00	mm
Dim. D : Stator I.D.	35.80	50.80	60.80	85.80	110.80	135.80	160.80	185.80	210.80	260.80	mm
N Number of Set Screws	3	3	3	3	3	4	4	6	6	8	
Max. radial misalignment	0.25										mm
Rotor & Stator fixings	Rotor by Set Screws St. Steel (supplied). Stator by Servo Clamps (see Accessories) or host equipment										

4.2 Ultra High Accuracy Servo Clamp Stator & Set Screw Rotor Format - Product Option INC-4H

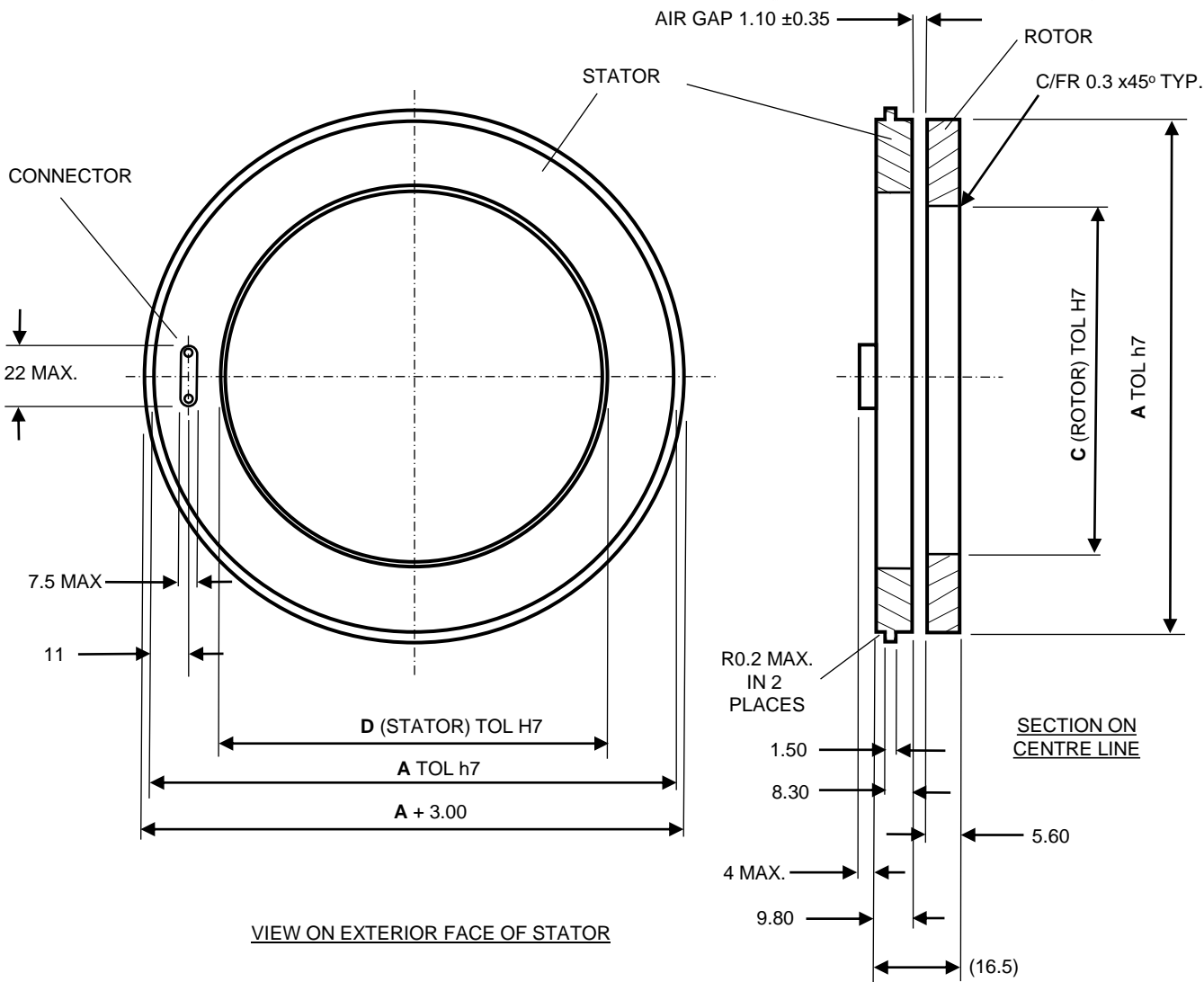
Servo Mount Format IncOders can be installed in various ways and the following sketches show a few examples. Provided the axial gap and concentricity tolerances are maintained, then the stated measurement performance will be met. For IncOder 75, 90, 100 & 125mm sizes use 3 Servo Clamps; for 150 & 175mm use at least 4 and at least 6 Servo Clamps for larger sizes.



4.3 Ultra High Accuracy Servo Clamp Stator & Plain Rotor Format - Product Option INC-6H

NOTES

1. **3D CAD MODEL FILES AVAILABLE ON WWW.CELERAMOTION.COM**
2. SEE SECTION 8 FOR CORRESPONDING SERVO CLAMPS
3. UNIT SHOWN WITH AXIAL CONNECTOR AC1
4. ALL DIMS IN mm – DO NOT SCALE
5. 3RD ANGLE PROJECTION
6. TOLERANCES:- 0 DECIMAL PLACES = ± 0.5
1 DECIMAL PLACES = ± 0.2
2 DECIMAL PLACES = ± 0.1



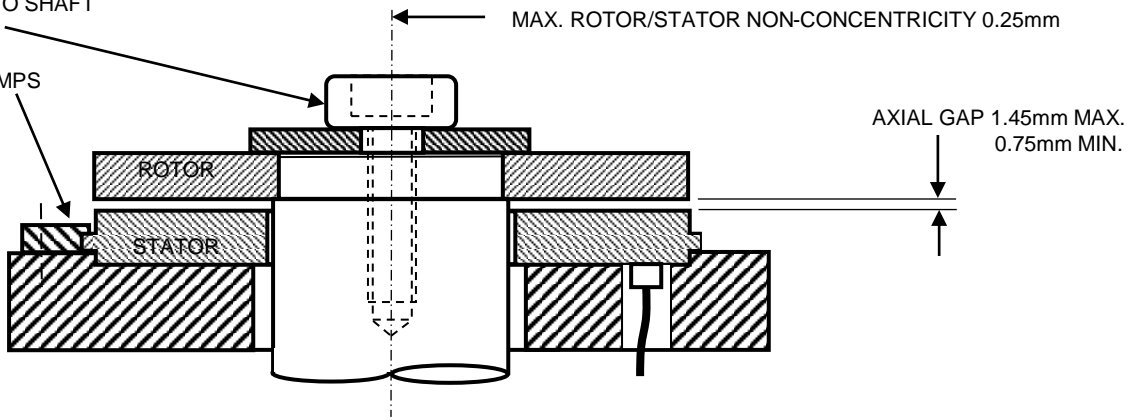
	INC-6H-75	INC-6H-90	INC-6H-100	INC-6H-125	INC-6H-150	INC-6H-175	INC-6H-200	INC-6H-225	INC-6H-250	INC-6H-300	
Dim. A : Stator / Rotor Body O.D.	75.00	90.00	100.00	125.00	150.00	175.00	200.00	225.00	250.00	300.00	mm
Dim. C : Rotor I.D.	30.00	45.00	55.00	80.00	105.00	130.00	155.00	180.00	205.00	255.00	mm
Dim. D : Stator I.D.	35.80	50.80	60.80	85.80	110.80	135.80	160.80	185.80	210.80	260.80	mm
Max. radial misalignment	0.25										mm
Rotor & Stator fixings	Rotor by host equipment and Stator by Servo Clamps (ordered separately - see Accessories) or host equipment										

4.3 Ultra High Accuracy Servo Clamp Stator & Plain Rotor Format - Product Option INC-6H

IncOders with Servo Clamp Stators & Plain Rotors can be installed in various ways and some examples are shown below. Provided the axial gap and concentricity tolerances are maintained, then the stated measurement performance will be met. For IncOder 75, 90, 100 & 125mm sizes use 3 Servo Clamps; for 150 & 175mm use at least 4 and at least 6 Servo Clamps for larger sizes.

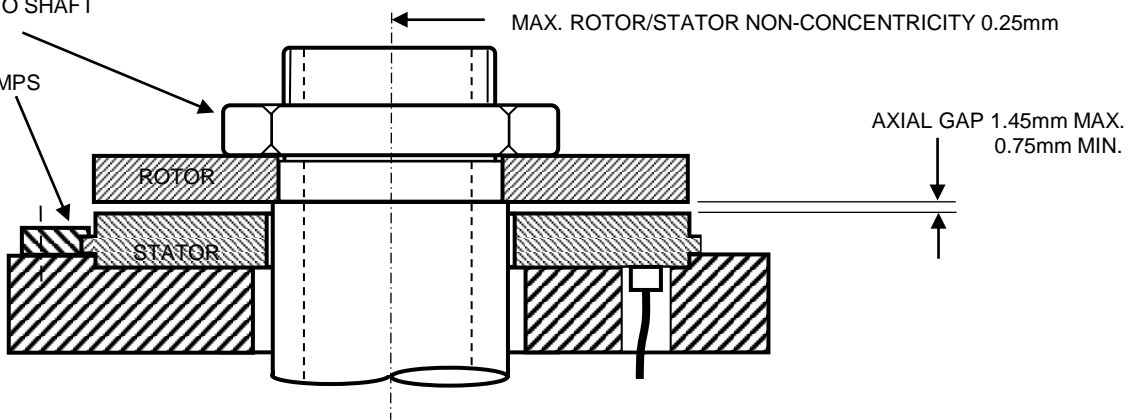
SCREW & WASHER TO CLAMP ROTOR.
CLOSE FIT TO SHAFT SHOULDER

SERVO CLAMPS



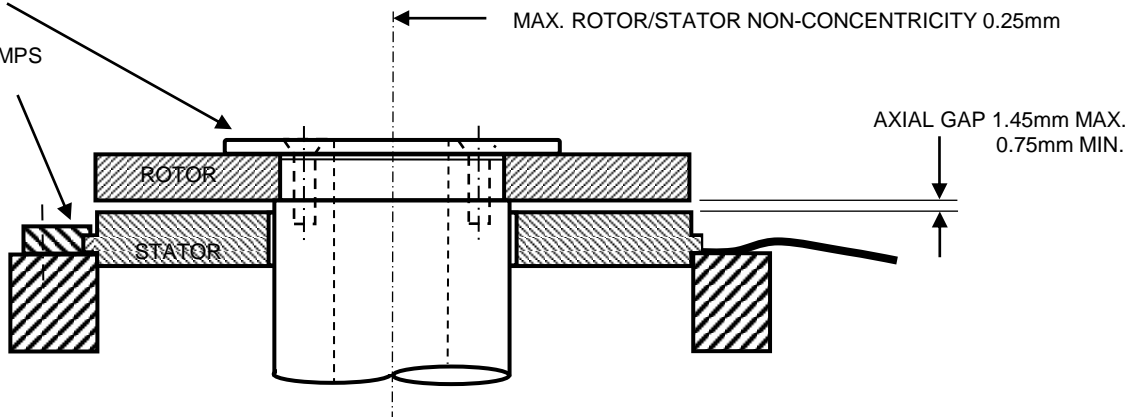
LOCKING RING & THREADED SHAFT CLAMPS ROTOR.
CLOSE FIT TO SHAFT SHOULDER

SERVO CLAMPS



SCREWED PLATE.
CLOSE FIT TO SHAFT SHOULDER

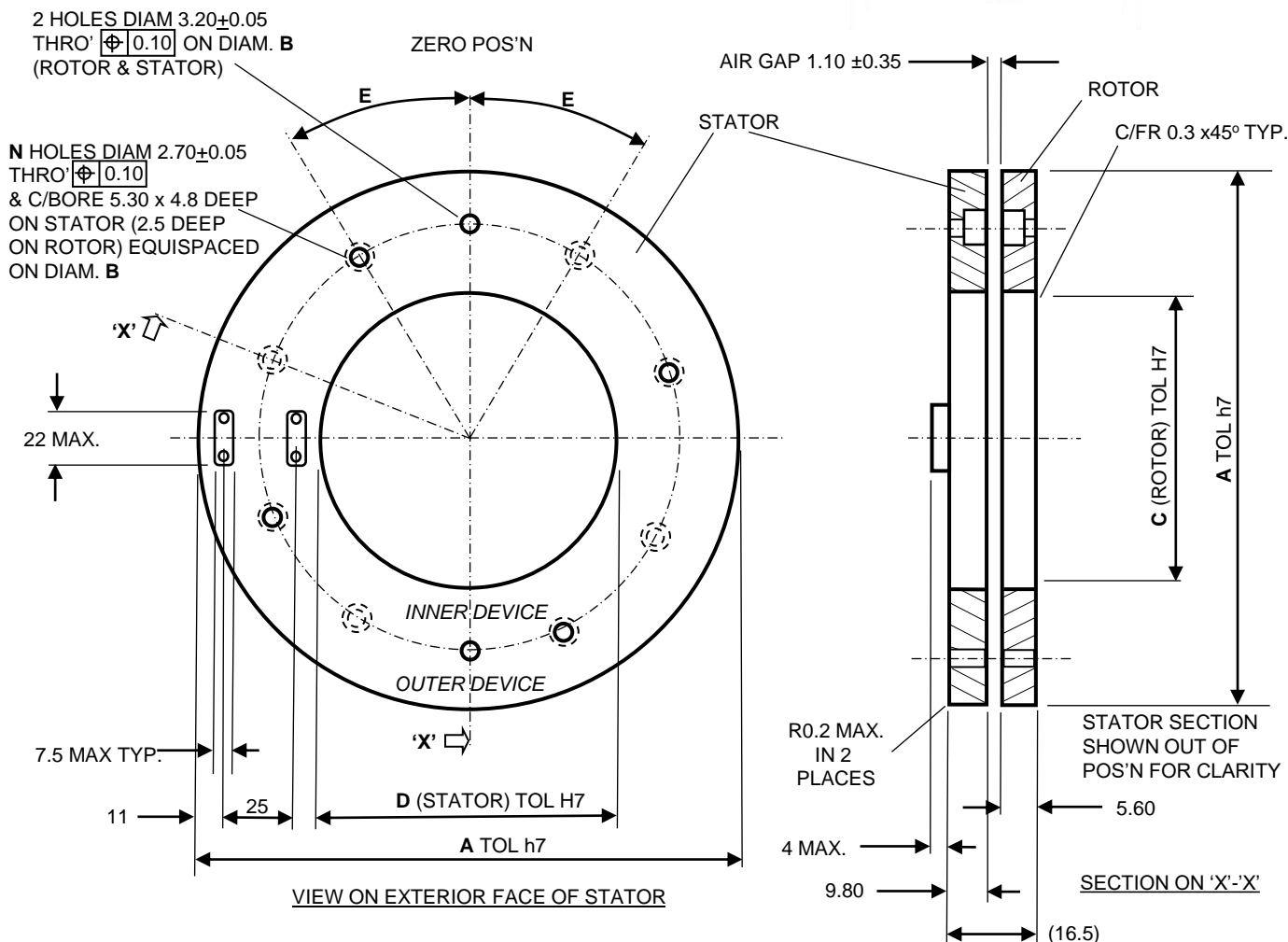
SERVO CLAMPS



4.4.1 Duplex IncOder Dimensions and Installation

NOTES

1. **3D CAD MODEL FILES AVAILABLE ON WWW.CELERAMOTION.COM**
2. UNIT SHOWN WITH AXIAL CONNECTOR AC1
3. ALL DIMS IN mm – DO NOT SCALE
4. 3RD ANGLE PROJECTION
5. TOLERANCES:- 0 DECIMAL PLACES = ± 0.5
1 DECIMAL PLACES = ± 0.2
2 DECIMAL PLACES = ± 0.1

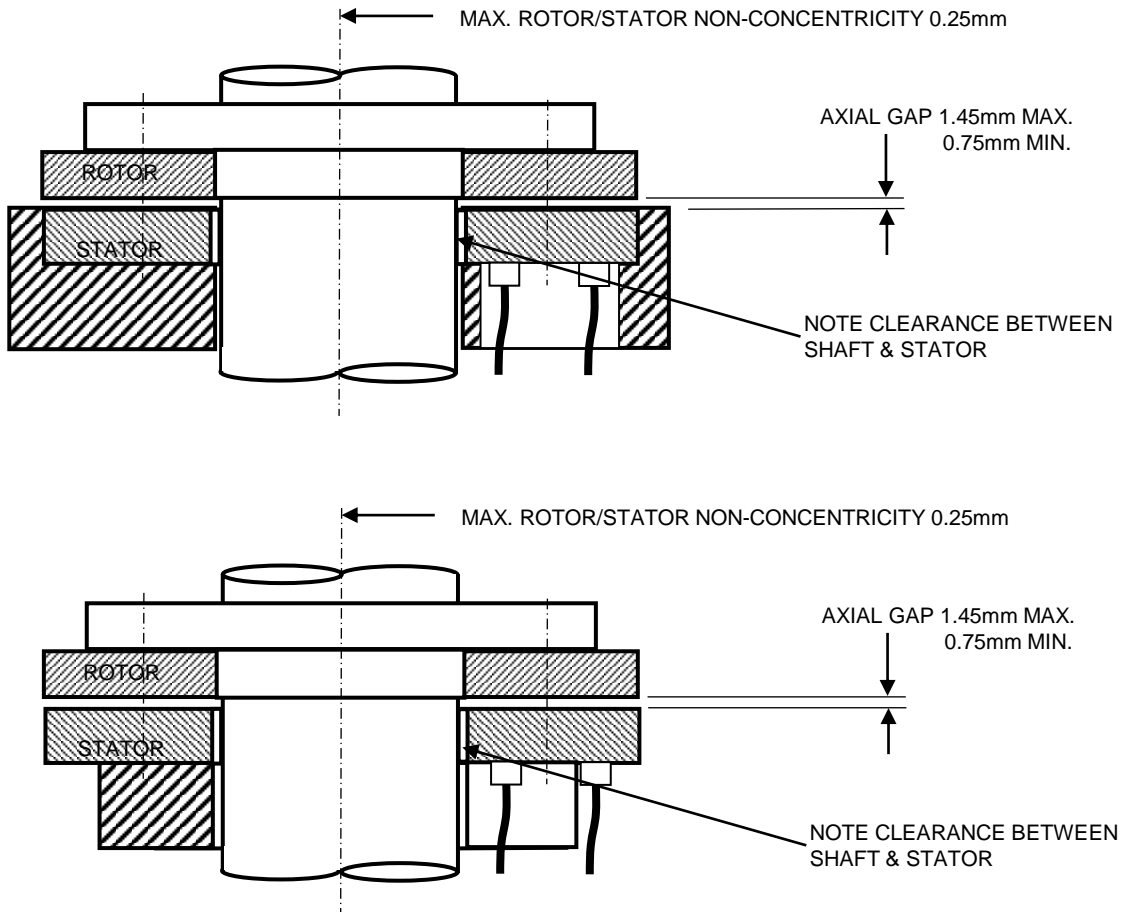


Duplex IncOders are electrically redundant:- 2 electrically independent IncOders in 1 package – the first on the outer annulus, the second on the inner. The range starts at an O.D. of 125mm with axial connections (AC1) or integral flying leads (AFL1-5). Note - measurement performance is quoted for the outer annulus device.

	INC-10H-75	INC-10H-90	INC-10H-100	INC-10H-125	INC-10H-150	INC-10H-175	INC-10H-200	INC-10H-225	INC-10H-250	INC-10H-300	
Dim. A : Stator / Rotor Body O.D.	n/a	n/a	n/a	125.00	150.00	175.00	200.00	225.00	250.00	300.00	mm
Dim. B : Pitch Circle Diameter	n/a	n/a	n/a	80.50	105.50	130.50	155.50	180.50	205.50	255.50	mm
Dim. C : Rotor I.D.	n/a	n/a	n/a	35.80	60.80	85.80	110.80	135.80	160.80	210.80	mm
Dim. D : Stator I.D.	n/a	n/a	n/a	35.80	60.80	85.80	110.80	135.80	160.80	210.80	mm
Dim E : Offset Angle from T.D.C.	n/a	n/a	n/a	30	30	30	30	30	20	20	degrees
N Number of screw clearance holes	n/a	n/a	n/a	4	6	6	6	6	8	8	
Max. radial misalignment	n/a	n/a	n/a	0.25							mm
Rotor & Stator fixings	n/a	n/a	n/a	Steel screws cap head M2.5 & steel dowels M3							

4.4 Ultra High Accuracy Duplex Format Product Option INC-10H

Duplex IncOders can be installed in various ways and some examples are shown below. Provided the axial gap and concentricity tolerances are maintained, then the stated measurement performance will be met.



4.4.2 Part Numbering for Duplex IncOders

The default for Duplex (INC-10H format) IncOders is that the inner & outer devices have identical electrical interfaces.

A Duplex IncOder may be specified with differing electrical interfaces for the inner and outer devices. This is a requirement in some applications such as:

- an absolute encoder for a gearbox output shaft and a pulse encoder for the motor driven input shaft
- safety requirements for two different sensing technologies to avoid common failure modes.

If differing electrical interfaces are required, please specify the outer device using the standard Product Options as per Section 7 and add a note on electrical aspects (only) for the inner e.g., INC-10H-250-171001-SSI1-AC1-12-AN OUTER with 171001-SSI3-AC1-24 INNER.

Note that the performance of the outer device will be as stated for any IncOder of the same (outer diameter) size and the performance of the inner device will be as stated as for the proportionately smaller device.

Stators and Rotors (of the same size) from different mechanical formats can be combined. The full list of formats and combinations is shown below:-

- INC-3H Screw Mount Stator & Screw Mount Rotor
- INC-4H Servo Clamp Stator & Set Screw Rotor
- INC-6H Servo Clamp Stator & Plain Rotor
- INC-7H Screw Mount Stator & Set Screw Rotor
- INC-8H Screw Mount Stator & Plain Rotor
- INC-9H Servo Clamp Stator & Screw Mount Rotor
- INC-10H Duplex Stator & Duplex Rotor

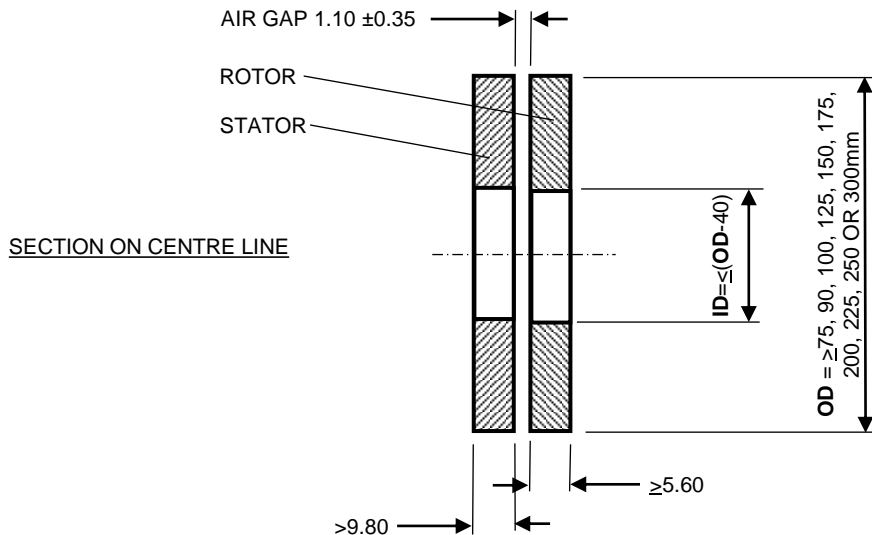


4.6 Custom Mechanical Formats

If a standard unit does not fit your design, a custom version may be needed. Celera Motion make many custom housings and these are economical if unit volumes are >200 units/year. A few examples are shown below :-

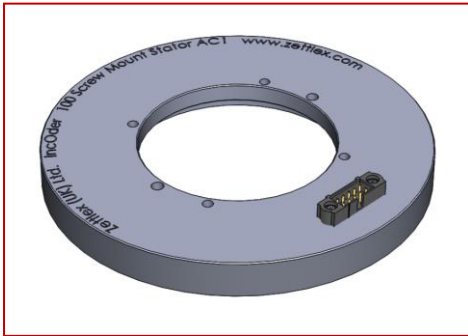


To minimise tooling charges, the OD of Stator & Rotor should preferably be based on a standard size:- 75, 90, 100 etc. with a corresponding ID. Dimensions of Stator & Rotor should not be less than the dimensions shown below:-

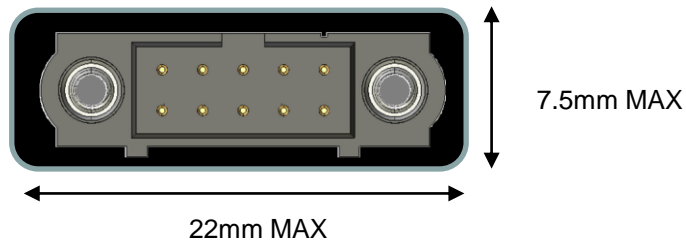


4.7 Axial Connector Product Option AC1

For IncOder sizes 75 to 300mm, AC1 is the most common IncOder connector option. This option features a Harwin Datamate connector oriented axially on the obverse side of the sensor stator. Compatible cable options can be found in Section 8.



AC1 – shown - axial connector type 1.



Notes:

- Pinouts can be found in Section 6.
- See Mounting Formats for dimensions on AC1 connector types.
- Connector: Harwin Data Mate Vertical Plug 10 Way with 2 Jack Screws - Type M80-5001042 or equivalent.
- Required Mating Connector: Harwin Data Mate Vertical Socket Type M80-461-10-42 or equivalent.
- See accessories section for compatible cable options.
- Material: Polyphenylene sulfide (PPS) with Stainless Steel Screw Fixings and Gold & Tin Electrical Connections.

4.8.1 Radial Connections Overview

For IncOder sizes 75 to 300mm there are 14 options for flexi radial output connection. See Section 4.9 for radial integral cable options.



RFC1 – shown - vertical connector, 100mm long radial.
RFC11 – as RFC1 but connector on obverse.



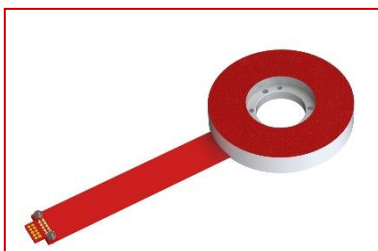
RFC2 – shown - vertical connector, 12mm long radial.
RFC12 – as RFC2 but connector on obverse.



RFC3 – shown - 90 degree connector, 100mm long radial.
RFC13 – as RFC3 but connector on obverse.



RFC4 – shown - 90 degree connector, 12mm long radial.
RFC14 – as RFC4 but connector on obverse.



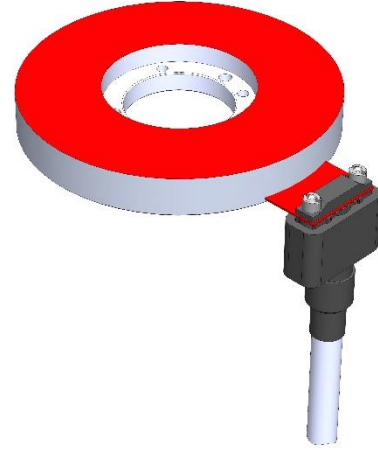
RFC5 – connector not fitted, plated through holes, 100mm long radial.
For customer fit of connector.



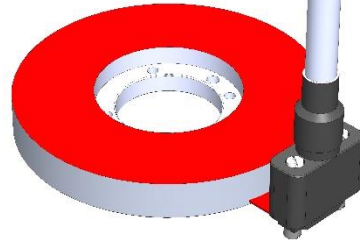
RFC6 – connector not fitted, plated through holes, 12mm long radial
For customer fit of connector.

Radial connection types RFC7 to RFC10 include a 2m cable which is connected to the radial output with a boot, connector and heat-shrink construction. The 2m long cable is the same specification and colouring as the cable used for integral axial connection AFL type (see Table A Section 4.9.5) for all electrical outputs. The cable has stripped and tinned ends.

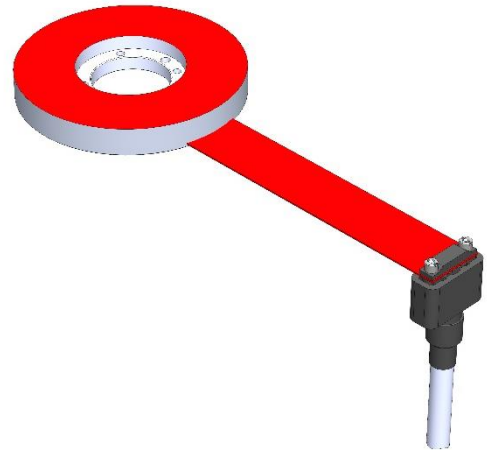
RFC7 – 2m downward cable & 12mm long radial



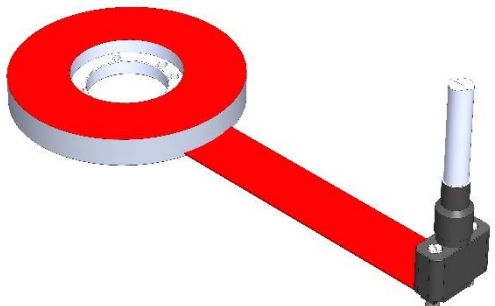
RFC8 – 2m upward cable & 12mm long radial



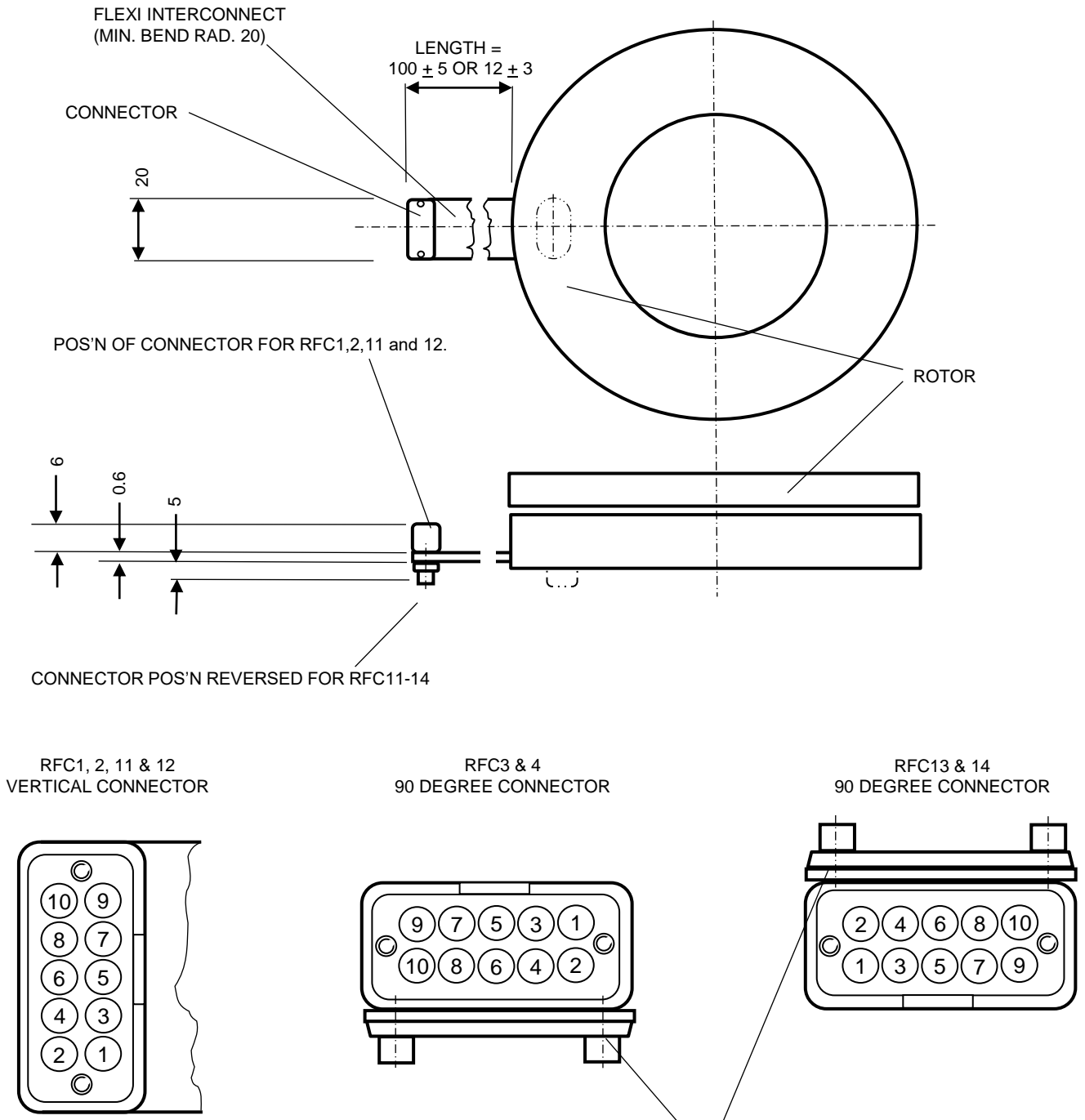
RFC9 – 2m downward cable & 100mm radial



RFC10 – 2m upward cable & 100mm radial



4.8.2 Radial Connection Dimensions - Product Options RFC1-4, RFC11-14

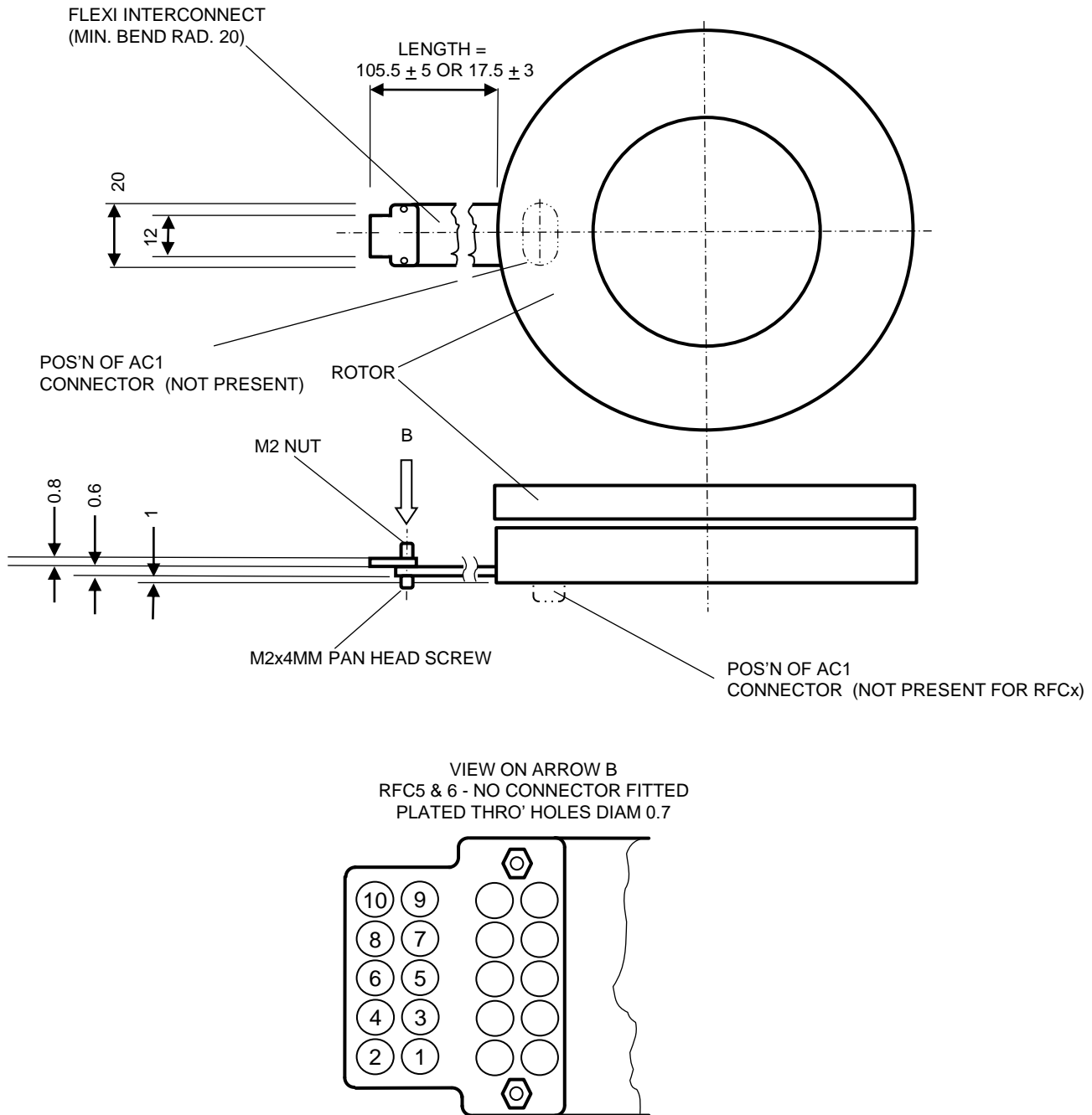


REMOVE THESE SCREWS ONLY IF ABSOLUTELY NECESSARY. IF REMOVED, ENSURE CONNECTIONS ON U/SIDE OF CONNECTOR ARE ALTERNATIVELY PROTECTED FROM CONTACTING CONDUCTIVE OR ABRADING SURFACES.

Notes

- See Section 6 for pin allocations of connectors shown above
- Drawing above is in 3rd angle projection. Do not scale from drawing. All dims in mm
- General tolerance = ± 1 mm unless stated
- In all instances, ensure that the weight (or inertia under shock or vibration) of the mating cable is taken by local strain relief and not the RFC connection.

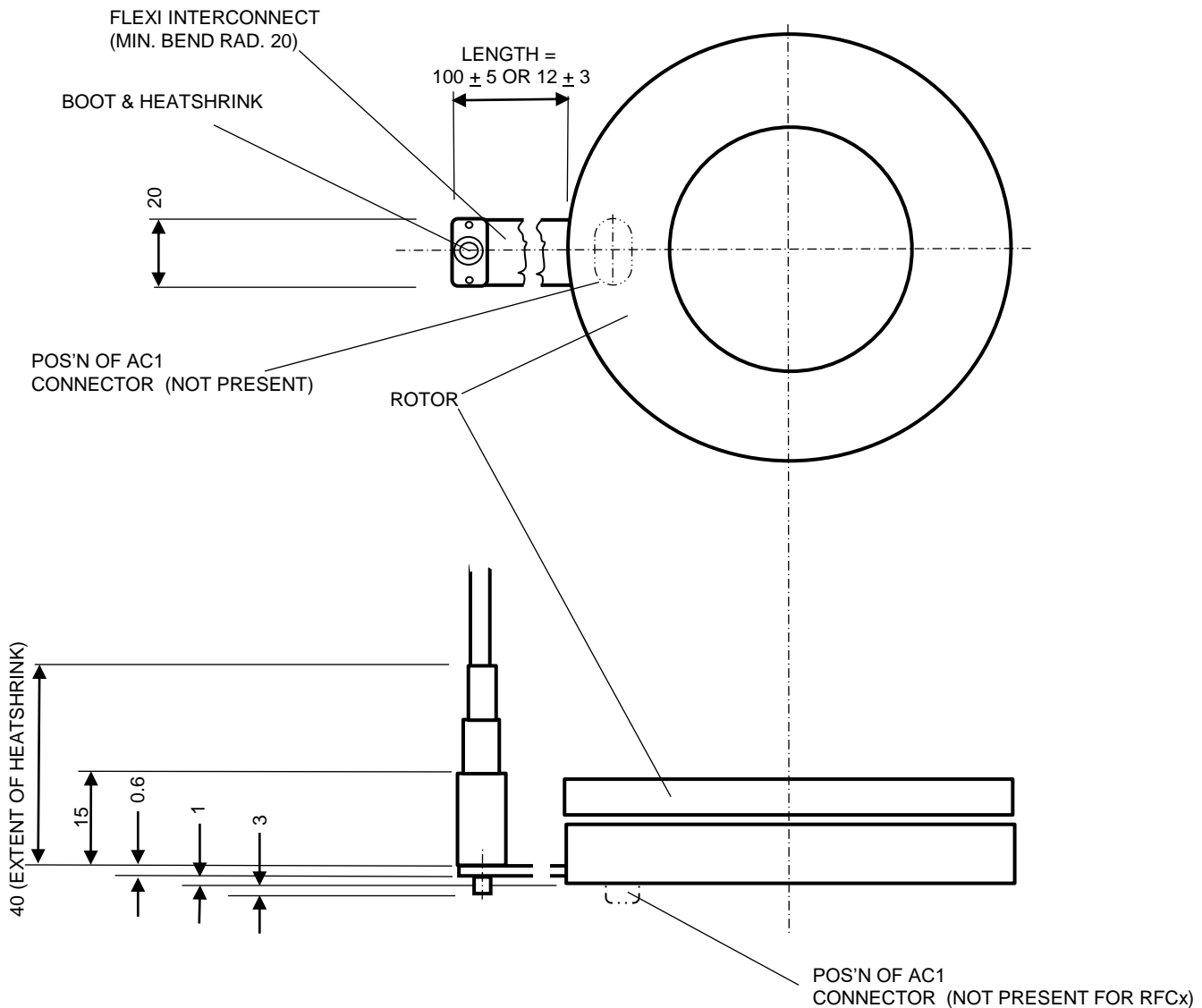
4.8.3 Radial Connection Dimensions - Product Options RFC5 & RFC6



Notes

- Drawing above is in 3rd angle projection. Do not scale from drawing. All dims in mm
- General tolerance = ± 1 mm unless stated
- In all instances, ensure that the weight (or inertia under shock or vibration) of the mating cable is taken by local strain relief and not the RFC connection.

4.8.4 Radial Connection Dimensions - Product Options RFC7 to RFC10



Notes

- See Table A in Section 4.9.5 for the wire and colour allocations
- Drawing above is in 3rd angle projection. Do not scale from drawing. All dims in mm.
- General tolerance = ± 1 mm unless stated
- In all instances, ensure that the weight (or inertia under shock or vibration) of the mating cable is taken by local strain relief and not the RFC connection.

4.9.1 Integral Cable Product Options AFL1-52

Integral Axial Cables are for wet and/or severe shock/vibration environments. The connector is replaced by an integral cable and a block which covers the cable to IncOder joint. Each option features 24 AWG multi-strand copper wire twisted pairs and rated to IP67 for 1 hour and 1m depth. Sealed variants of each cable additional protection for long term immersion at depth.

AFL1 – Integral Axial Cable. AFL2 – Integral Axial Cable, Sealed.



- Length: 2m
- Shield: Overall foil shield with tinned copper drain wire
- Insulation: Semi-rigid PVC
- Outer Jacket: Semi-rigid PVC
- Bend Radius = 20mm (1-off fixed) & 76mm (flexing)
- Outer Diameter: 7.3mm
- Operating temp.: -30 to 80°C
- UL AWM Style 2464

AFL3 – Integral Axial, High Flex Cable. AFL32 – Integral Axial, High Flex Cable, Sealed.



Suitable for repeat bending (>5M cycles)

- IGUS CF11.02.05.02 cable
- Length: 2m
- Shield: Extremely bending-stable tinned copper wire braid
- Outer Jacket: Extremely bending-stable TPE mixture
- Bend Radius = 45mm (fixed) & 61mm (flexing)
- Outer Diameter: 9.0mm
- Operating temp.: -35 to +85°C (flexing) or -40 to +85°C (fixed)
- PVC & halogen free
- Hydrolysis, oil, UV & microbe resistant

AFL4 – Integral Axial Cable, Low Profile. AFL42 – Integral Axial Cable, Low Profile, Sealed.



- Individual PTFE coated wires
- Length: 0.6m
- No shielding or outer sheath
- Bend Radius = 10mm (fixed) & 20mm (flexing)
- Operating temp.: -60 to +85°C (limited by IncOder, not cable)

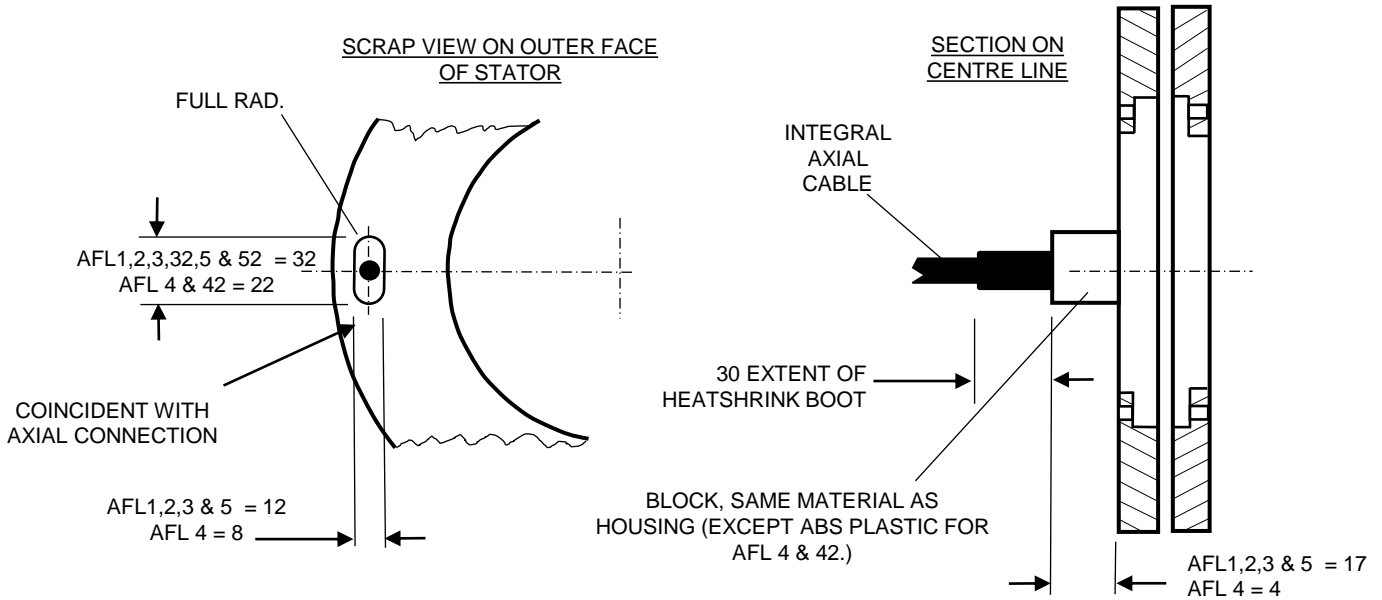
AFL5 Integral Axial, PTFE/MIL-Spec Cable. AFL52 Integral Axial, PTFE/MIL-Spec Cable, Sealed.



- Length: 1.1m
- Insulation: BS 3G 210 Type A PTFE coated wire
- Shield: Tin plated copper braid
- Outer Jacket: MIL-1-23053/12 Class 3 AMS3584 PTFE sleeve
- Bend Radius = 12mm (fixed) & 76mm (flexing)
- Operating temp.: -60 to +105°C
- Non-flammable cable, resistant to oils, lubricants, fuels

NOTE: If being used in high vibration/shock, cables need to be provided with suitable strain relief and support. Length is minimum specified length -50mm or -5%, whichever is greater. See Sections 4.9.6 for further details on cable length.

4.9.2 AFL Dimensions

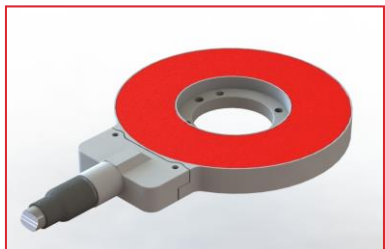


Notes

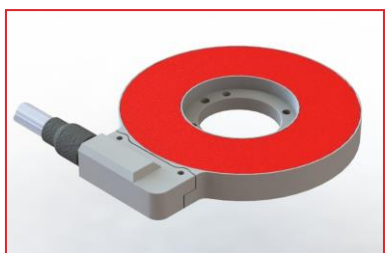
- Drawing shown in 3rd angle projection. Do not scale from drawing
- All dims in mm. Gen. tol. = ± 1 mm unless stated - all other dims as per relevant mechanical drawings
- Heatshrink boot only for AFL3 & AFL32.

4.9.3 Integral Cable Product Options BFL, CFL, DFL, EFL, FFL

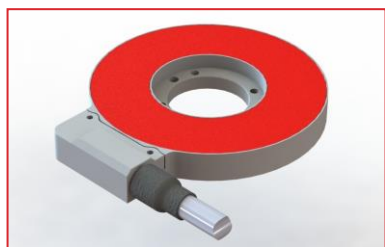
Integral Cables are also available in Radial and Tangential formats. The cables are the same specification as AFL1-52 products (see Section 4.9.1). For example, BFL1, EFL1 & FFL1 product options use the same cable specification as type AFL1.



BFL Integral Radial Cable (BFL1, 2, 5 & 52)



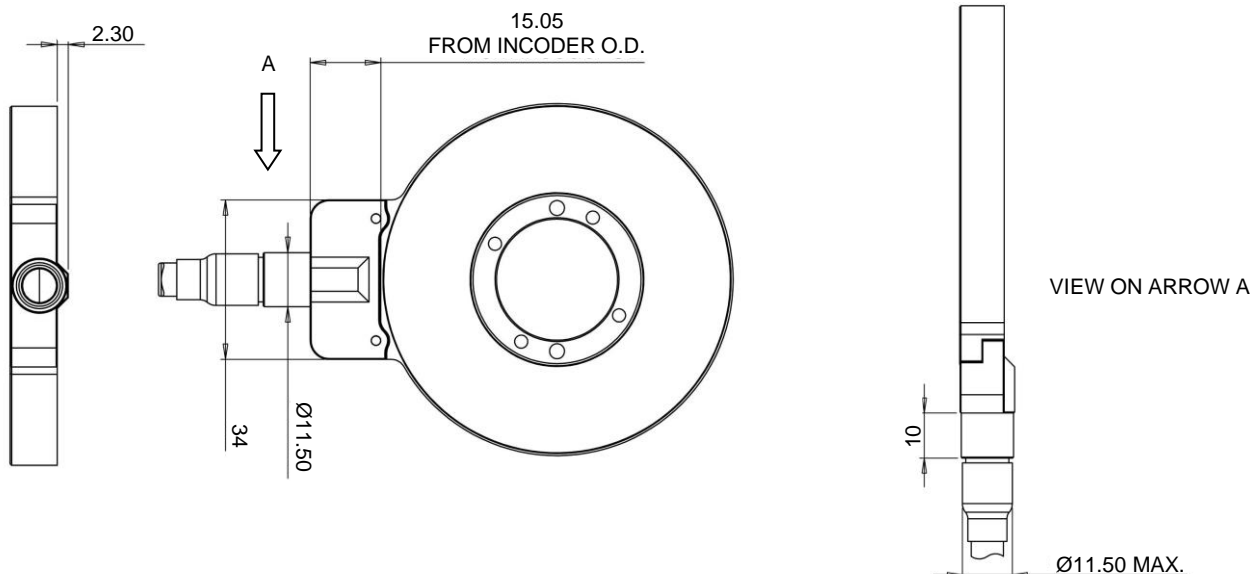
EFL Integral Cable Tangential CW (EFL1, 2, 5 & 52)



FFL Integral Cable Tangential CCW (FFL1, 2, 5 & 52)

4.9.4 Integral Cable Product Option BFL, EFL, FFL Dimensions

BFL Integral Radial Cable (BFL1, 2, 5 & 52) Dimensions for 75 to 300mm

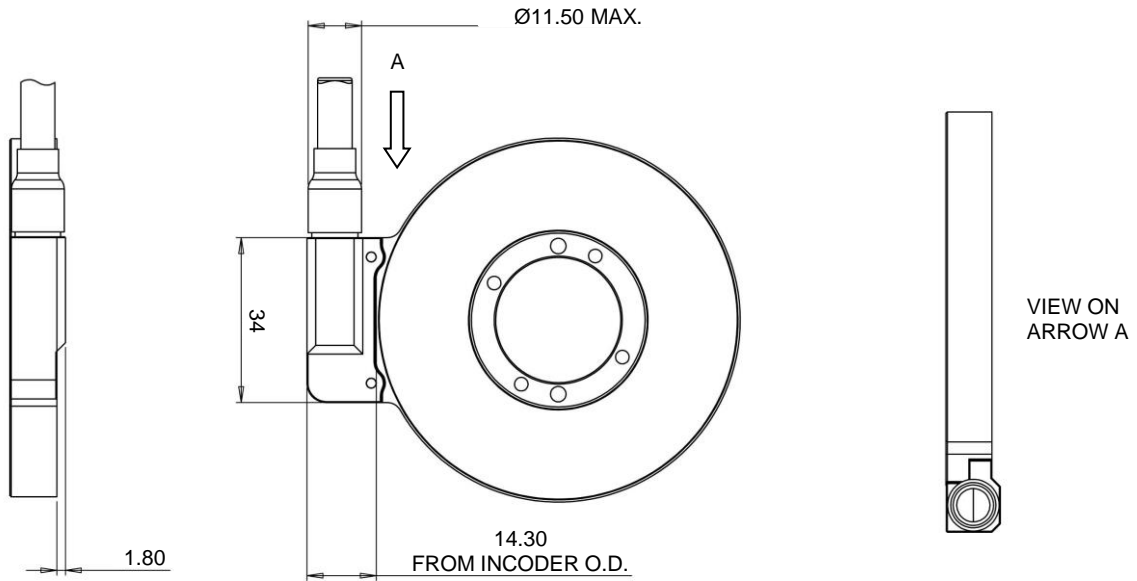


Notes

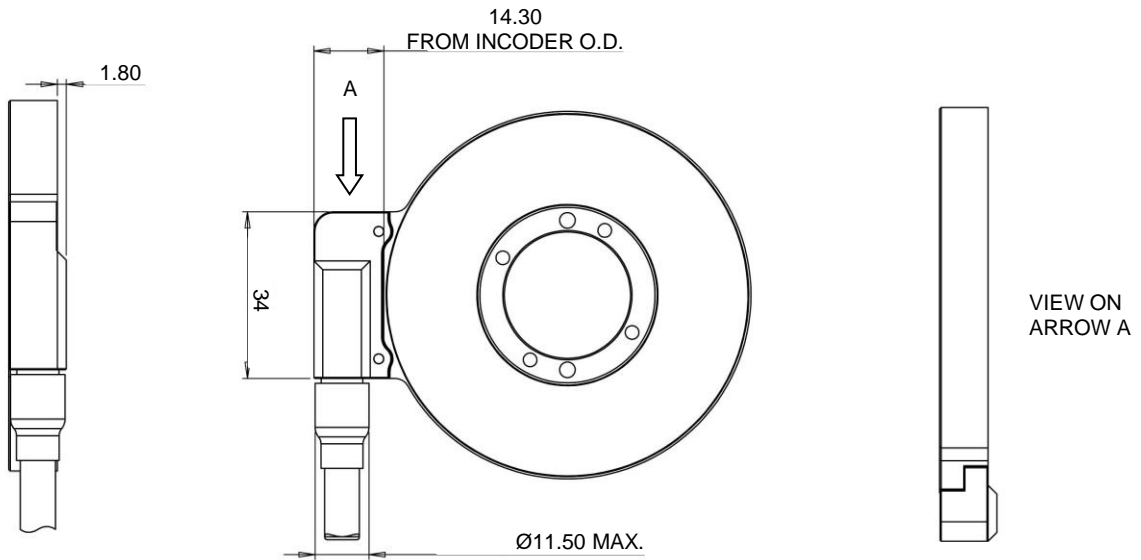
- Drawing shown in 3rd angle projection. Do not scale from drawing
- All dims in mm. Gen. tol. = $\pm 1\text{mm}$ unless stated - all other dims as per relevant mechanical drawings.

4.9 Integral Cable Product Options AFL to FFL1-52

EFL Integral Cable Tangential CW (EFL1, 2, 5 & 52) Dimensions for 75 to 300mm



FFL Integral Cable Tangential CCW (FFL1, 2, 5 & 52) Dimensions for 75 to 300mm



Notes

- Drawing shown in 3rd angle projection. Do not scale from drawing
- All dims in mm. Gen. tol. = $\pm 1 \text{ mm}$ unless stated - all other dims as per relevant mechanical drawings.

4.9.5 FL Wiring Assignment

Table A - Connections for AFL-FFL1, AFL-FFL2, AFL4, AFL42, AFL-FFL5, AFL-FFL52 (& RFC6-10)

Pair No.	Colour	Connector Pin (For Info. Only)	Signal (SSI, SPI & BISS-C)	Signal (ASI)	Signal (0-10V)	Signal (A/B pulses & Z Ref.)
1	Black	7	Data B	Data B	Ref. Voltage	A complement
1	Green	5	Data A	Data A	Signal	A
2	Black	6	Clk B	Not used - do not connect	Direction Set	B complement
2	Blue	8	Clk A	Not used - do not connect	Span Set	B
3	Black	9	0V	0V	0V	0V
3	Red	10	V _{supply}	V _{supply}	V _{supply}	V _{supply}
4	Black	1	Zero Set	Zero Set	Zero Set	Z Ref Set
4	Yellow	2	Zero Reset	Zero Reset	Zero Reset	Z Ref. Reset
5	Black	3	Not used - do not connect	Not used - do not connect	Not used - do not connect	Z
5	White	4	Not used - do not connect	Not used - do not connect	Not used - do not connect	Z complement

Table B - Wiring connections for AFL3, AFL32

Pair No.	Colour	Connector Pin (For Info. Only)	Signal (SSI & SPI & BISS-C)	Signal (ASI)	Signal (0-10V)	Signal (A/B pulses & Z Ref.)
1	Grey	7	Data B	Data B	Ref. Voltage	A complement
1	Pink	5	Data A	Data A	Signal	A
2	Yellow	6	Clk B	Not used - do not connect	Direction Set	B complement
2	Green	8	Clk A	Not used - do not connect	Span Set	B
3	Blue	9	0V	0V	0V	0V
3	Red	10	V _{supply}	V _{supply}	V _{supply}	V _{supply}
4	Violet	1	Zero Set	Zero Set	Zero Set	Z Ref Set
4	Black	2	Zero Reset	Zero Reset	Zero Reset	Z Ref. Reset
5	Brown	3	Not used - do not connect	Not used - do not connect	Not used - do not connect	Z
5	White	4	Not used - do not connect	Not used - do not connect	Not used - do not connect	Z complement

4.9.6 Cable Lengths for FL Product Options

Standard length for xFL1, xFL2, xFL3 & xFL32 cables is 2m. Standard cable length for xFL4 & xFL42 is 0.6m. If a different cable length is required, simply change the part number from, for example, AFL1 to AFL1.5.0 for a 5.0m cable or from AFL32 to a AFL32.0.9 for a 0.9m cable. Standard (and maximum available) length for xFL5 & xFL52 is 1.1m. For shorter cables there is no price difference. There may be a price variation for integral cables longer than standard – contact Celera Motion or your local rep. Tolerance on minimum cable length is -50mm or -5%, whichever is greater.

4.9.7 Connectors for FL Product Options

Fitting special connectors such as D-38999 military type or hermetically sealed connectors is something that we are frequently asked to do. Please contact us or your local representative if this is a requirement, stating cable type (preferably choose from cables described in Section 4.9), cable length & connector type.



Extended Product Range Options are not necessary for most applications. In some, such as ultra high-spec applications in defence, aerospace and extreme duty industrial applications, Extended Product Options may be required. Extended Product Options increase product costs & lead-times and should only be specified if necessary.

Electronics with Leaded Solder – Extended Product Option ‘P’

Standard IncOders use RoHS compliant solder for electronic components. In some applications, notably space, the use of leaded solder is mandatory. Specify ‘P’ at the end of the standard Product Number.

Extended Thermal Stress Screen/Bake-Off – Extended Product Option ‘B’

Standard IncOders undergo a rigorous final test after assembly. In some applications, extended thermal stress screening (or ‘burn-in’) is required. Similarly, some applications require eradication of any volatile organic compounds. An extended thermal stress screen / bake-out for 24 hours at 70°C prior to final testing may be specified. Specify ‘B’ at the end of the standard Product Number.

Very High Shock & Vibration – Extended Product Option ‘G’

Standard IncOders are designed for high shock & vibration environments, often found in airborne, marine & military vehicles. In applications with prolonged, very high shock (to 500g for 11ms) and/or very high vibration environments (to 100g for 10-2000Hz) the Very High Shock & Vibration Product Option should be specified. Example applications include (direct mounted) weapons systems, wing mounted aerospace equipment and earth moving vehicles. This option is available in all IncOder sizes, formats and electrical interfaces but, preferably, should be used with integral cables (type AFL, BFL, EFL, FFL). ‘G’ format IncOders have a reinforced internal structure. External mechanical & electrical interfaces are unchanged. Local strain relief of cables must be used in all applications with shock or vibration. Specify ‘G’ at the end of the standard Product Number.

Engraved Data – Extended Product Option ‘E’

Standard IncOder Stators carry a serial number on a self-adhesive, metallised label. In some applications, a label is not acceptable and product data must be engraved. Engraved data includes part number & serial number on exterior faces of housing. Specify ‘E’ at the end of the standard Product Number.

Cold Temperature Option – Extended Product Option ‘12CT’ or ‘24CT’

Standard IncOders have a lower operating temperature limit of -45°C. For prolonged or frequent operation at temperatures <-45°C, a cold temperature version (lower operating temperature of -60°C) should be specified using the 12CT or 24CT Extended Product Option in the voltage supply section of the part number. For operating temperatures <-60°C consult Celera Motion.

High Temperature Option – Extended Product Option ‘5HT’

Standard IncOders have an upper operating temperature limit of +85°C. For prolonged or frequent operation at temperatures >85°C, a high temperature version (upper operating temperature of +105°C) should be specified using the 5HT Extended Product Option in the voltage supply section of the part number. Only available with SSI, SPI, ASI & BiSS-C communications. Careful selection of the appropriate cable is required for high operating temperatures. Generally, the high temperature cable INC-CAB3-2HT (see Section 8.1) should be specified or the AFL5/ALF52 integral cable. For operating temperatures >105°C consult Zettlex.



4.10 Extended Product Range

Prolonged Immersion, Salt Spray or Extreme Dust Conditions – Extended Product Option ‘C’

Standard IncOders will operate reliably if subject to moist, wet, dusty or salt spray conditions for short or infrequent periods. Such conditions include immersion in mineral oil or water – depending on cable connection selected. If the IncOder will be subject to prolonged periods of high levels of condensing moisture, immersion in water, exposure to salt atmospheres or potential abrasion by dust or grit then Extended Product Option C is recommended. This option provides additional protection to the IncOder’s sensing faces using an acrylic conformal coat. This option is not required if immersion is in mineral oil. This option is not required (because it is already included) if a sealed version of integral axial cable is selected e.g. AFL2, AFL32, AFL42 or AFL52. Specify ‘C’ at the end of the standard Product Number.

High Pressure Option – Extended Product Option ‘V’

If operation at high pressures is needed (for example, sub-sea equipment submerged in mineral oil) then the use of Extended Range Product Option ‘V’ is recommended. Maximum recommended operating pressure is 4,000psi or 280Bar. Higher operating pressures may be possible subject to qualification by the user in host equipment. ‘V’ designated products undergo a hard epoxy encapsulation process which ensures absence of internal voids. Specify ‘V’ at the end of the standard Product Number.



4.11 Measurement & Electrical Data

Measurement & Elec. Data for all Digital Comms Interfaces - Product Options SS1x, SPIx, AS1x & BISx

	INC-x-75	INC-x-90	INC-x-100	INC-x-125	INC-x-150	INC-x-175	INC-x-200	INC-x-225	INC-x-250	INC-x-300	
Measurement	Absolute over 360degrees. Note this is true absolute - no motion required at start up										
Resolution (171001 Product Option)	17bits	131,072 counts per rev	n/a	n/a	n/a	n/a	n/a	n/a	n/a	n/a	
Resolution (181001 Product Option)	18bits		262,144counts per rev		4.94arc-secs		24micro-rads				
Resolution (191001 Product Option)	19bits		524,288counts per rev		2.47arc-secs		12micro-rads				
Resolution (201001 Product Option)	20bits		1,048,576counts per rev		1.24arc-secs		6micro-rads				
Resolution (211001 Product Option)	21bits		2,097,152counts per rev		0.62arc-secs		3micro-rads				
Resolution (221001 Product Option)	n/a	n/a	n/a	n/a	22bits		4,194,304counts per rev		0.31arc-secs		1.5micro-rads
Repeatability	+/-1										count
Static Accuracy over 360°	≤62.5	≤49	≤40	≤32.5	≤25	≤25	≤25	≤22.5	≤20	≤19	arc-seconds
Static Accuracy over 360°	≤0.31	≤0.24	≤0.20	≤0.16	≤0.12	≤0.12	≤0.12	≤0.11	≤0.10	≤0.10	milliradians
Internal Position Update Period	<0.1										millisecond
Thermal Drift Coefficient	≤0.50										ppm/K Full-Scale
Max. Speed for Angle Measurement (0.1 millisecond update rate)	10,000	10,000	9,600	7,700	6,600	6,000	6,000	6,000	6,000	6,000	r.p.m.
Max. Physical Speed	10,000										r.p.m.
Data Outputs	RS422 Compatible, supports SSI (Serial Synchronous Interface), ASI (Asynchronous Serial Interface), SPI or BiSS-C										
Power Supply	5VDC(4.5-32VDC) or 12VDC (4.5-32VDC) or 24VDC (4.5-32VDC)										VDC
Current Consumption	<100 (typically <75 and does not change significantly with voltage supply)										milliAmp
Reverse Polarity	PSU Reverse polarity protected to max. supply voltage										VDC
Connector (AC1 & RFCx Product Options)	Harwin Data Mate Vertical Plug 10 Way with 2 Jack Screws Type M80-500-10-42 or M80-510-10-42 or M80-540-10-42 For alternative connectors such as integral cable or military shell type contact Celera Motion										
Mating Connector (AC1 & RFCx)	Harwin Data Mate Vertical Socket Type M80-461-10-42 (alternative M80-461-10-05)										
Zero Setting	Via Connector Pin or Integral Cable - see details for set and reset in relevant Section for Connector, Cable or Comms Interface										
Power Up Time To 1st Measurement	<500										millisecond

Measurement & Electrical Data for A/B/Z Pulses Comms Interfaces - Product Option ABZ1-6

	INC-x-75	INC-x-90	INC-x-100	INC-x-125	INC-x-150	INC-x-175	INC-x-200	INC-x-225	INC-x-250	INC-x-300	
Measurement	Incremental with reference mark. Position of reference mark programmable by user.										
Resolution (171001 Product Option)	17bits	131.072counts per rev	9.88arc-seconds	48micro-radians	32,768pulses per rev						
Resolution (181001 Product Option)	18bits	262,144counts per rev	4.94arc-seconds	24micro-radians	65,536pulses per rev						
Resolution (191001 Product Option)	19bits	524,288counts per rev	2.47arc-seconds	12micro-radians	131,072pulses per rev						
Repeatability	+/-1										count
Static Accuracy over 360°	≤62.5	≤49	≤40	≤32.5	≤25	≤25	≤25	≤22.5	≤20	≤19	arc-seconds
Static Accuracy over 360°	≤0.31	≤0.24	≤0.20	≤0.16	≤0.12	≤0.12	≤0.12	≤0.11	≤0.10	≤0.10	milliradians
Internal Position Update Period	<0.1										millisecond
Thermal Drift Coefficient	≤1										ppm/K Full-Scale
Max. Speed for Angle Measurement	17, 18bits = 1800r.p.m. 19bits = 900r.p.m.										
Max. Physical Speed	10,000										r.p.m.
Data Outputs	A/B pulses with Z pulse ref. Z position settable from connector/cable. Z pulse width selectable by Product Option/ Part Number.										
Power Supply	5VDC±10% or 12VDC (8-32VDC) or 24VDC (8-32VDC)										VDC
Current Consumption	<150 (does not vary significantly with supply voltage)										milliAmp
Reverse Polarity	PSU Reverse polarity protected to max. supply voltage										VDC
Connector (AC1 & RFCx Product Options)	Harwin Data Mate Vertical Plug 10 Way, Jack Screw Sockets Type M80-500-10-42 or M80-510-10-42 or M80-540-10-42 For alternative connectors such as integral cable or military shell type contact Celera Motion										
Mating Connector (AC1 & RFCx)	Harwin Data Mate Vertical Socket Type M80-461-10-42 (alternative M80-461-10-05)										
Z Position Setting	Via Connector Pin or Integral Cable - see details for set and reset in relevant Section for Connector, Cable or Comms Interface										
Power Up Time To 1st Measurement	<500										millisecond

4.12 Environmental & Further Data

Environmental Data - All Product Options

	INC-x-75	INC-x-90	INC-x-100	INC-x-125	INC-x-150	INC-x-175	INC-x-200	INC-x-225	INC-x-250	INC-x-300	
Operating Temp.	Minus 45 to +85 Minus 60 to +85Celsius for 12VCT & 24VCT Product Option. Minus 45 to +105Celsius max. for 5HT Product Option Operation outside limits to be qualified by user. Options available below minus 60 Celsius operation: contact Celera Motion or local representative.										Celsius
Storage Temp.	Minus 55 to +125 (Minus 60 to +125 for 24CT Product Option)										Celsius
Temperature Shock	MIL-STD-810G, Method 503.5, Procedure I-B (T1=-40 °C, T2=55 °C.)										
IP Rating - Rotor & Stator	IP67 for <60 minutes & 1m depth (Installed with mechanically protected connector or AFL1, AFL3, AFL4 or AFL5 (BFL, EFL, FFL) Product Options) For additional protection for long term immersion at depth, specify Product Option AFL2, AFL32, AFL42 or AFL52 (BFL, EFL, FFL) For immersion at depths of >100m select Extended Range High Pressure Option										
IP Rating - Connector	IP50 for AC1 or RFC1-4 & RFC7-14 Product Options. IP67 for 1 hour and 1m depth for AFL, BFL, EFL, FFL Product Options										
Humidity	RH 0-99% as standard. Select Extended Range Option C & appropriate connector for condensing humidity or long immersion										
Salt Fog	(Installed with protected cable/connector or any integral axial cable) Complies with DEF STAN 00-35 Pt 3 Iss. 4, Test CN2 Salt Mist Test. Select Extended Range Option C and appropriate connector for environments with significant exposure to salt fog										
Bio Hazards	(Installed with protected cable/connector or any integral cable) Complies with DEF-STAN 00-35 Pt 4 Iss. 4 Section 11 (Hazards)										
Induced Dust & Sand	Complies with DEF STAN 00-35 Pt 3 Iss 4, Test CL25 (Turbulent Dust) Cat 1. Select Extended Range Option C and appropriate connector for environments with abrasive dust or sand.										
Mechanical Impact Resistance	IK07 - when installed - suitable for mechanical impacts from objects of >200grams from 1m height										
Shock	IEC 60068-2-27 100g for 11ms - axial & radial - suitable for most airborne, marine & armoured vehicles MIL-STD-810G, Method 516.6, Procedure I-Functional Shock - axial and radial - 40 g 11 ms, sawtooth waveform For more extreme or prolonged conditions specify Extended Product Option G and preferably Integral Cable Product Options										
Vibration	IEC 60068-2-6 20g for 10-2000Hz - axial and radial - suitable for most high vibration & airborne environments MIL-STD-810G, Method 514.6, Procedure I - axial and radial - Category 20, for tracked vehicles For more extreme or prolonged conditions specify Extended Product Option G and preferably Integral Cable Product Options										
Environmental pressure range	0 to 7 (i.e. vacuum to 7). See Extended Product Range High Pressure Option for higher operating pressures										Bar
Max. permissible press. change rate	1										Bar/second
EMC Radiation Susceptibility	(Installed) Complies with IEC 61000-6-2 - suitable for fitment in harsh EMC environments										
EMC Radiated Emissions	(Installed) Complies with IEC 61000-6-4 - suitable for fitment adjacent to EMI sensitive devices										

Materials - all Product Options

Rotor & Stator Housings	SurTec650 finish al. alloy (6061-T6 or 6084-T6). Sensor surfaces: FR4 grade epoxy										
Connector (Axial - AC1 Product Option)	PPS with Stainless Steel Screw Fixings and Gold & Tin Electrical Connections										
Connector (Radial - RFCx Product Option)	PPS with St. Steel Screw Fixings and Gold & Tin Electrical Connections and Polyimide Flexi with Polyimide Coverlay										
Connector (Integral Cable)	See Section 4.10										

Miscellaneous - all Product Options

Mass Screw Mount Rotor (max.)	50	60	70	90	110	130	150	170	192	235	grams
Mass Set-Screw Rotor (max.)	75	90	105	135	165	195	225	255	287	350	grams
Mass Plain Rotor (max.)	45	55	63	81	99	117	135	153	172	215	grams
Mass Screw Mount Stator (AC1)	83	108	117	150	184	217	250	284	319	390	grams
Mass Servo Clamp Stator (AC1)	79	103	111	143	174	206	238	270	303	360	grams
Mom. of Inertia Screw Mount Rotor (max.)	4.8E-05	1.0E-04	1.3E-04	2.5E-04	4.4E-04	7.5E-04	1.2E-03	1.8E-03	2.5E-03	4.5E-03	Kgm ²
Mom. of Inertia Set-Screw Rotor (max.)	7.2E-05	1.4E-04	1.9E-04	3.7E-04	6.6E-04	1.1E-03	1.8E-03	2.7E-03	3.8E-03	6.7E-03	Kgm ²
Mom. of Inertia Plain Rotor (max.)	4.3E-05	9.0E-05	1.2E-04	2.2E-04	3.9E-04	6.8E-04	1.1E-03	1.6E-03	2.3E-03	4.4E-03	Kgm ²
MTBF	0.22 failures per 1M hours based on MIL-HBK-217+ method for ground military vehicles at 20Celsius average										
MTBF	0.35 failures per 1M hours based on MIL-HBK-217+ method for naval sheltered at 35Celsius average										
Hazardous materials	Standard range - Hazardous materials not used. RoHS compliant. RoHS certificate available. REACH statement available.										
Outgassing materials	Complies with NASA class'n as low outgas mat. with TML <1% & CVCM <0.1% at 125C & 24hrs in vacuum to ASTM E-595-90										
ITAR classification	Not ITAR controlled. No ITAR components										
Approvals	Flammability Rating UL94V-0. Standard range - RoHS compliant - RoHS certificate available. REACH statement available.										
Marking	Zettlex, logo, CE & UL94V-0 printed on Rotor & Stator faces; Serial No. labelled on exterior diameter of Stator housing Extended Product Range Option E - engraved serial number and part number on exterior faces of Stator & Rotor										
Country of Manufacture	UK										
Export Licence Requirements	Not required for standard product options										

The IncOder range offers 5 different Communication Interfaces:-

- Synchronous Serial Interface – see Section 5.4 (Product Options SSI1-9, SSI31-32)
- Asynchronous Serial Interface – see Section 5.5 (Product Options ASI1-2, ASI31-32)
- Serial Peripheral Interface – see Section 5.6 (Product Options SPI1, SPI31)
- A/B/Z pulses – see Section 5.7 (Product Options ABZ1-6)
- BiSS-C – see Section 5.8 (Product Options BIS3, BIS31)

All digital Communication Interfaces conform to the RS422 Standard. Note that for all Communications Interfaces, DATA & CLOCK inputs are not terminated with load resistors.

5.1 Output Resolution

The IncOder range offers various Options for the resolution of the output data. The required digital resolution is simply specified using the relevant Product Option – see Section 7.

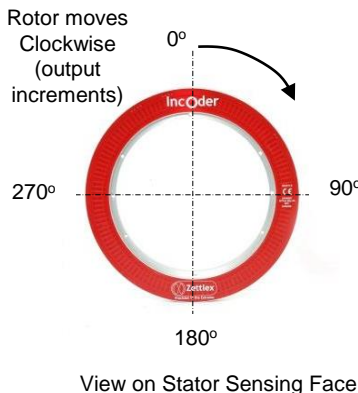
INC - X - XXX - XXXXXX - XXXX - XXXX - X - XXX

Resolution measured in bits.

17 Bits 171001	<i>Alternatively, for ABZ pulse output only, specify number of pulses per rev up to a max of 131,072 e.g. P123,456</i>
18 Bits 181001	
19 Bits 191001	
20 Bits 201001	
21 Bits 211001	
22 Bits (only sizes $\geq 150\text{mm}$) 221001	

5.2 Zero Point Set & Reset for Digital Outputs

Product Options - SSI, SPI, ASI, BIS



The Zero Point is the datum from which angle is measured. As supplied, the IncOder carries a factory Zero Point setting. The zero point is within +/-5° of the “O” within the screen printed “IncOder” logo on the rotor, aligned with the same respective feature on the stator. For INC-3H and INC-10H products the dowel positions (near the “O” of the “IncOder” logo) can also be used to identify the Zero Point within the same range of +/-5°. The Zero Point can be changed using the Zero Set and Zero Reset lines on the IncOder’s electrical interface. The Zero Set signal will set the current IncOder position as the Zero Point (held in memory when power removed). Zero Reset signal will reset the Zero Point to the factory setting (held in memory when power removed). To use, the relevant connection should be connected to electrical ground (<0.5V) for 2 seconds at power up but left unconnected (i.e. open circuit) during operation.

5.3 Multi-Turn Option

Product Options – SSI31-32, SPI31, ASI31-32, BIS31

The default electrical output from an IncOder is over 1 revolution. For multi-turn devices, please specify one of the product options: SSI31, SSI32, SPI31, ASI31, ASI32 or BIS31.

SSI based options provide 8 bits of turn count (0-255). BiSS, SPI and ASI options provide 12 bits of turn count (0-4095).

Turn count data is retained, but does not change, whilst the unit is not powered.

The IncOder must not move whilst the unit is not powered. If the IncOder is moved (by more than 1.5 degrees in either direction) while the unit is not powered, then the IncOder will indicate a multi-turn error. It will continue to indicate this error until the error is reset.

To reset the turn count to 0 (and to clear the multi-turn error indication), the Zero Set and Zero Reset signals should be connected to 0V, and then power applied for 2 seconds typically (>1 second).

The above procedure should be performed after initial installation.

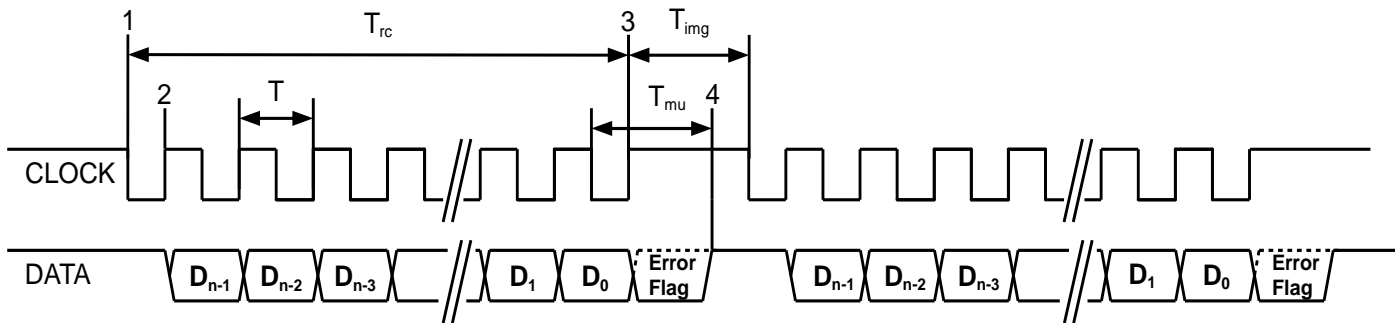
NOTE:

- **Not available in 5HT, 12CT or 24CT options.**
- **OD 75-125mm Max Resolution is 20-bits; OD 150-300mm Max Resolution is 21-bits.**

5.4.1 Generic Protocol Definition

SSI is a widely used serial interface between position sensors and controllers. It is based on the RS-422 hardware standard and implements a differential output for the DATA and a differential input for the CLOCK. (Note that DATA outputs and CLOCK inputs are not terminated with load resistors.)

Synchronous SSI uses a clock sequence from a controller to initiate the transmission of position data from the sensor (a Read Cycle), with the latest position data (see Section 4.11 for internal position update rate) available for transmission after each SSI Read Cycle is completed. See timing information below:-



T : Clock Period ($1/T = 100 \text{ kHz to } 2 \text{ MHz}$)

T_{rc} : Read Cycle time: This is defined as $(n \times T) + (0.5 \times T)$

T_{mu} : Message Update time. The time from last falling edge of clock to when new data is ready for transmission.

$T_{mu} = 20\mu\text{s} \pm 1 \mu\text{s}$. The DATA line will be HIGH after this time indicating a new Read Cycle can be started.

T_{img} : Intermassage Gap time. Must be $> T_{mu}$ otherwise position data will be indeterminate.

n : The number of bits in the message (not including the Error Flag).

In idle state CLOCK and DATA are both HIGH

Notes:

1. The first falling edge after T_{mu} starts the Read Cycle and the transfer of data.
2. Each rising edge of the CLOCK transmits the next data bit of the message, starting with D_{n-1} .
3. After the last rising edge of the clock sequence, the data line is set by the Error Flag (if supported) for the period $T_{mu} - 0.5 \times T$
4. After T_{mu} , the latest position data is now available for transmission in the next Read Cycle – see Section 4.11 for position update rate.

5.4 Synchronous Serial Interface (SSI) – Product Options SSI1-9, SSI31-32

SSI can support a variety of protocols in which data is transmitted depending on the requirements of the SSI controller. **IncOder can be supplied with any of the following protocols – just choose what you need by using the relevant Product Option when ordering (see Section 7).** If the protocol you require is not listed here then please consult Celera Motion or your local representative.

5.4.2 SSI Protocols for Single Turn IncOders – Product Options SSI1-9

SSI1 (n = 24)

Most popular choice

D23	PV	Position Valid Flag. Set to 1 when data is valid, otherwise 0 (the inverse of the ERROR FLAG).
D22	ZPD	Zero Point Default. Set to 1 when the Zero Point is at Factory Default, otherwise 0
D21-D0	PD[21:0]	Binary position data. If resolution of device is less than 22 bits, then the MSBs of this field are set to 0. The LSB of this field is in D0. When PV is 0, PD[21:0] value is not defined.

SSI2 (n = 24)

D23-D2	PD[21:0]	Binary position data. If resolution of device is less than 22 bits, then the MSBs of this field are set to 0. The LSB of this field is in D2. When Alarm bit is 1, PD[21:0] value is not defined.
D1	P	Parity Bit 0 indicates an even number of 1's in data (D23-D2), 1 indicates an odd number of 1's in data.
D0	A	Alarm Bit – 0 indicates normal operation, 1 indicates error condition.

SSI3 (n = 16)

D15-D0	PD[15:0]	Binary position data. When ERROR FLAG is 1, PD[15:0] value is not defined.
---------------	----------	--

Note: the use of SSI3 limits the measurement resolution to a maximum of 16bits.

SSI4 (n = 32)

D31	PV	Position Valid Flag. Set to 1 when position data valid, otherwise 0 (inverse of ERROR FLAG).
D30	ZPD	Zero Point Default. Set to 1 when the Zero Point is at Factory Default, otherwise 0
D29-D11	PD[18:0]	Binary position data. If resolution of device is less than 19 bits, then the MSBs of this field are set to 0. The LSB of this field is in D11. When PV is 0, PD[18:0] value is not defined.
D10-D0	TS[10:0]	Time stamp data. The value of the Time Stamp counter when the position was measured. This data is always valid. The Time Stamp counter is a continuously incrementing counter in the range: 0.00ms to 20.47ms (at which point it restarts at 0.00ms). It has a resolution of 10us, with an accuracy better than 1% (based on the system oscillator).

Note: the use of SSI4 limits the measurement resolution to a maximum of 19bits.

SSI5 (n = 16)

D15-D0	PD[15:0]	Gray code, position data. When ERROR FLAG is 1, PD[15:0] value is not defined.
---------------	----------	--

Note: the use of SSI5 limits the measurement resolution to a maximum of 16bits.

5.4 Synchronous Serial Interface (SSI) – Product Options SSI1-9, SSI31-32

SSI6 (n = 32)

D31-D24	CRC[7:0]	CRC-8: To verify transmission, calculate the CRC of the bottom 24 bits of the message. The resulting CRC should be the same as the received CRC field. The following parameters define CRC-8: Polynomial 0x97 Initial data 0x00 MSB First (not reversed) No final XOR calculation
D23	PV	Position Valid Flag. Set to 1 when position data is valid, otherwise 0 (the inverse of the ERROR FLAG).
D22	ZPD	Zero Point Default. Set to 1 when the Zero Point is at Factory Default, otherwise 0
D21-D0	PD[21:0]	Binary position data. If resolution of device is less than 22 bits, then the MSBs of this field are set to 0. The LSB of this field is in D0. When PV is 0, PD[21:0] value is not defined.

SSI7 (n = 30)

D29-D24	-	Data always 0.
D23-D2	PD[21:0]	Binary position data. If resolution of device is less than 22 bits, then the MSBs of this field are set to 0. The LSB of this field is in D2. When Alarm bit is 1, PD[21:0] value is not defined.
D1	P	Parity Bit 0 indicates an even number of 1's in data (D23-D2) 1 indicates an odd number of 1's in data.
D0	A	Alarm Bit – 0 indicates normal operation, 1 indicates error condition.

SSI8 (n = 18)

D17-D0	PD[17:0]	Gray code, position data. When ERROR FLAG is 1, PD[17:0] value is not defined.
---------------	----------	--

Note: the use of SSI8 limits the measurement resolution to a maximum of 18bits.

SSI9 (n = 32)

D31	PV	Position Valid Flag. Set to 1 when position data valid, otherwise 0 (inverse of ERROR FLAG).
D30	ZPD	Zero Point Default. Set to 1 when the Zero Point is at Factory Default, otherwise 0
D29-D11	PD[18:0]	Binary position data. If resolution of device is <19bits, then the MSBs of this field are set to 0. The LSB of this field is in D11. When PV is 0, PD[18:0] value is not defined.
D10-D0	TS[10:0]	Time stamp data. The value of the Time Stamp counter when the position was measured. This data is always valid. The Time Stamp counter is a continuously incrementing counter in the range: 0.00ms to 2.047ms (at which point it restarts at 0.00ms). It has a resolution of 1us, with an accuracy better than 1% (based on the system oscillator).

Note: the use of SSI9 limits the measurement resolution to a maximum of 19bits.

5.4.3 SSI Protocols for Multi-Turn IncOders – Product Options (SSI31-32)

SSI31 (n between 20 and 32, dependent on resolution, r)

$D_{r+9} - D_{r+2}$	TC[7:0]	Turn count. When nW is 0, TC[7:0] value is not defined.
$D_{r+1} - D_2$	PD[r-1:0]	Position data. When nE is 0, PD[r-1:0] value is not defined.
D_1	nE	Error Flag. Set to 1 when position data valid, otherwise 0 (inverse of ERROR FLAG).
D_0	nW	Turn Count Error Flag. Set to 1 when the turn count data is valid, otherwise 0.

Note: The size of the SSI packet n, is dependent on the resolution r, of the IncOder. For example, for a 16 bit resolution part, r = 16 and the Position data will comprise of PD[15:0]. This will appear in packet bit positions D17 – D2 and so n = 26.

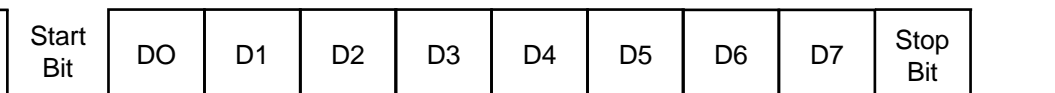
SSI32 (n between 18 and 30, dependent on resolution, r)

$D_{r+7} - D_r$	TC[7:0]	Turn count. When there is an error with the turn count then TC[7:0] data will be fixed at 0.
$D_{r-1} - D_0$	PD[r-1:0]	Position data. When there is an error with the position data then PD[r-1:0] value will be fixed at 0.

Note: The size of the SSI packet n, is dependent on the resolution r, of the IncOder. For example, for a 16 bit resolution part, r = 16 and the Position data will comprise of PD[15:0]. This will appear in packet bit positions D15 – D0 and so n = 24.

5.5.1 ASI Protocol Overview

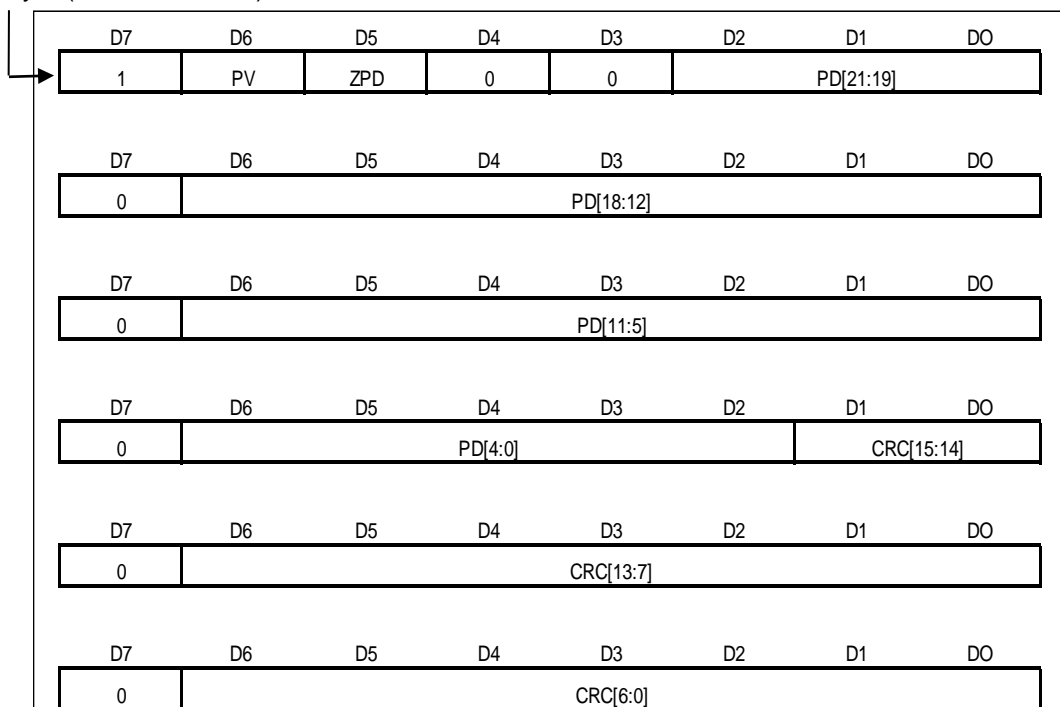
This section describes the communications interface for IncOders with ASI1, ASI2, ASI31 and ASI32 serial protocols. Data is transmitted by the IncOder continuously formatted into Frames. Each Frame consists of a number of 8 bit data words. Each 8 Bit data word (or byte) is transmitted from a standard UART using N-8-1 (no parity, 8 data bits, 1 stop bit). ASI1/ASI31 has a Baud rate of 230400 and ASI2/ASI32 has a Baud rate of 921600. See below for the data format of each transmitted data word. ASI1 Frames are transmitted at a rate of 3.33kHz nominal, ASI31 Frames are transmitted at a rate of 2.5kHz nominal. ASI2, ASI32 frames are transmitted at a rate of 10kHz nominal (same rate as Internal Position Update Period).



5.5.2 ASI Protocols for Single Turn IncOders – Product Options (ASI1-2)

The following is the Asynchronous Serial Data protocol specified with the ASI1 or ASI2 Product Option. Each frame is defined as 6 bytes and the data format is defined as follows:

First byte (transmitted first):



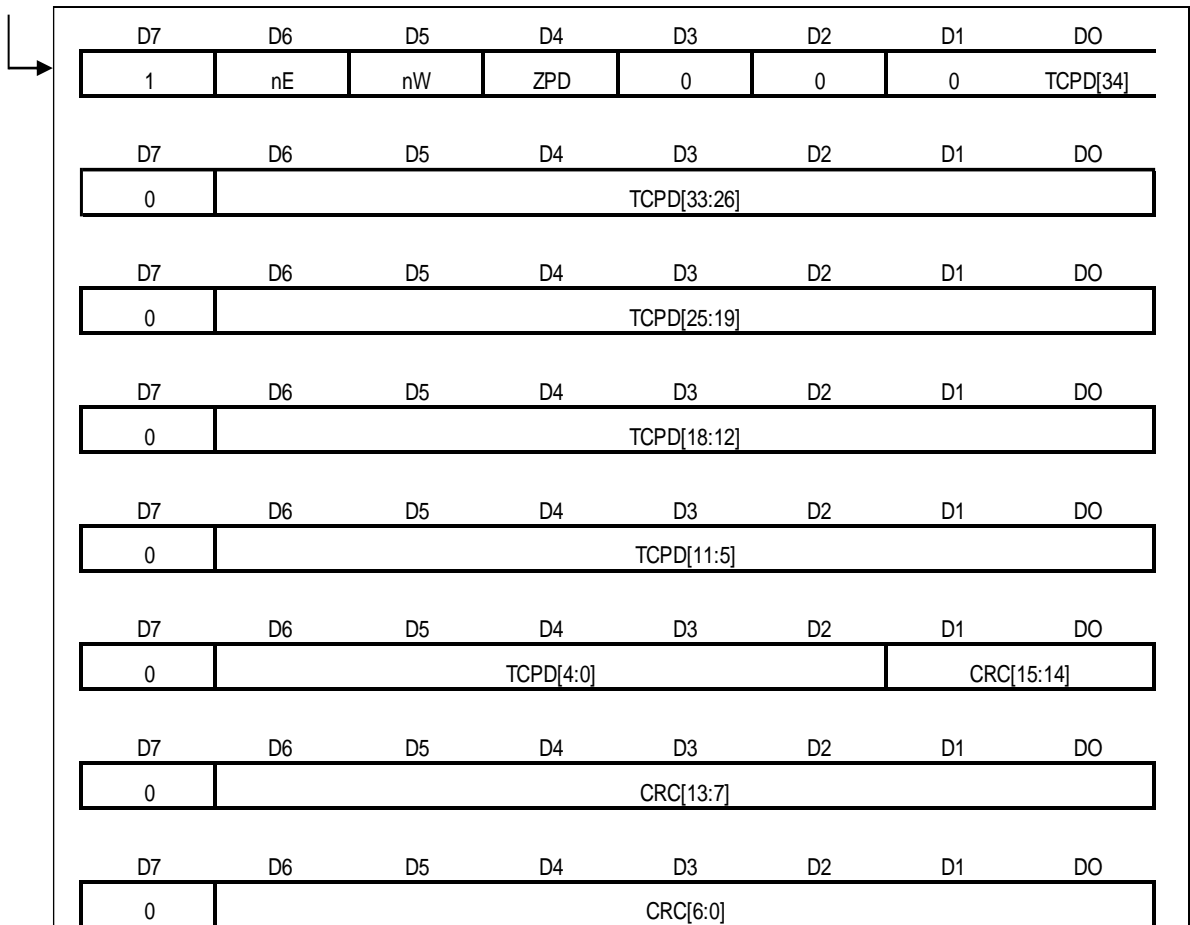
Data Definition for Asynchronous Serial Interface

- PV Position Valid flag. Set to 1 when data is valid, otherwise set to 0
- ZPD Zero Point Default. Set to 1 when the Zero Point is at Factory Default, otherwise set to 0.
- PD[21:0] IncOder Position Data. If resolution of device is less than 22 bits then the MSBs of this field are set to 0.
When PV is 0, PD[21:0] value is not defined.
- CRC[15:0] CRC-16: To verify transmission, calculate the CRC of all 48 bits of the message but with CRC[15:0] set to 0.
The resulting 16 bit CRC result should be the same as the received CRC[15:0].
Use the following CRC-16 parameters:
 - Polynomial 0x8005
 - Initial data 0x0000
 - MSB first (not reversed)
 - No final XOR calculation.

5.5.3 ASI Protocols for Multi-Turn IncOders – Product Options ASI31-32

The following is the Asynchronous Serial Data protocol specified with the ASI31 or ASI32 Product Option. Each frame is defined as 8 bytes and the data format is defined as follows:

First byte (transmitted first):



Data Definition for Asynchronous Serial Interface

- nE Error Flag. Set to 1 when single turn position data is valid, otherwise set to 0
- nW Turn Count Error Flag. Set to 1 when turn count data is valid, otherwise set to 0
- ZPD Zero Point Default. Set to 1 when the Zero Point is at Factory Default, otherwise set to 0.
- TCPD[33:0] Turn count and single turn position data. The number of bits for the single turn position data is defined by the resolution. The multi turn data is always 12 bits. If the combination is less than 34 bits then the most significant unused bits of this field are set to 0
- CRC[15:0] CRC-16: To verify transmission, calculate the CRC of all 48 bits of the message but with CRC[15:0] set to 0. The resulting 16 bit CRC result should be the same as the received CRC[15:0].
Use the following CRC-16 parameters:
Polynomial 0x8005
Initial data 0x0000
MSB first (not reversed)
No final XOR calculation.

5.6.1 SPI Protocol Overview

This section describes the communications interface for IncOders with SPI1 and SPI31 (Serial Peripheral Interface) serial protocols. SPI is a widely used serial interface between micro processors/controllers and peripherals. SPI uses a clock sequence from a master to control the transmission of data from the IncOder. IncOders with SPI data interface conform to the RS422 hardware specification.

Note that the DATA outputs and the CLOCK inputs are not terminated with load resistors.

SPI Clock Polarity is defined so that the CLOCK idle state is HIGH and the Clock Phase is defined so that the data is captured on the falling edge of CLOCK, and the data is propagated on the rising edge of CLOCK. This is commonly depicted as CPOL=1, CPHA=0 (also depicted as UCCKPL=1, UCCKPH=1).

Clock rate is 100kHz to 5MHz.

The following sections define the communication protocols.

5.6.2 SPI Protocol for Single Turn IncOders – Product Option SPI1

The SPI1 IncOder protocol specifies that each data frame consists of 6 bytes of data (each of 8 bits, 48 bits in total) containing the position, status flags and CRC.

Data Definition for IncOder SPI1 Protocol

D47-D33	SBZ	These bits will always be Zero.
D32	ZPD	Zero Point Default flag. Set to 1 when the Zero Point is at Factory Default, otherwise 0.
D31	PV	Position Valid Flag. Set to 1 when position data is valid, otherwise 0.
D30	PS	Position Synchronised flag. Set to 1 when the position measurement was triggered by a previous SPI Frame. Set to 0 when the position measurement was triggered by a Measurement Time-out (see Section 5.6.4 Case 1). Use this flag to ensure that the IncOder has synchronised position measurements to the SPI Frames (Case 1, Section 5.6.4).
D29-D8	PD[21:0]	Binary position data. If resolution of device is less than 22 bits, then the most significant bits of this field are set to 0. The LSB of this field is in D0. When PV is 0, PD[21:0] value is not defined.
D7	SD	Stale Data flag. Set to 1 when the position data has been transmitted at least once before. Set to 0 when the position data has not been transmitted before. Use this flag to detect when a new measurement has been completed (Case 2, Section 5.6.4).
D6-D0	CRC[6:0]	Cyclic Redundancy Checksum. 7 Bit CRC: Polynomial 0x5B, Initial data 0x0000, MSB first (not reversed), No Final XOR.

Note – the CRC is generated from bits D7 through D32. It is calculated using a 32 bit word (or 4 bytes) with D7 shifted in to the Least Significant Bit and the 6 Most Significant Bits set to '0' as required.

5.6.3 SPI Protocol for Multi-Turn IncOders – Product Options SPI31

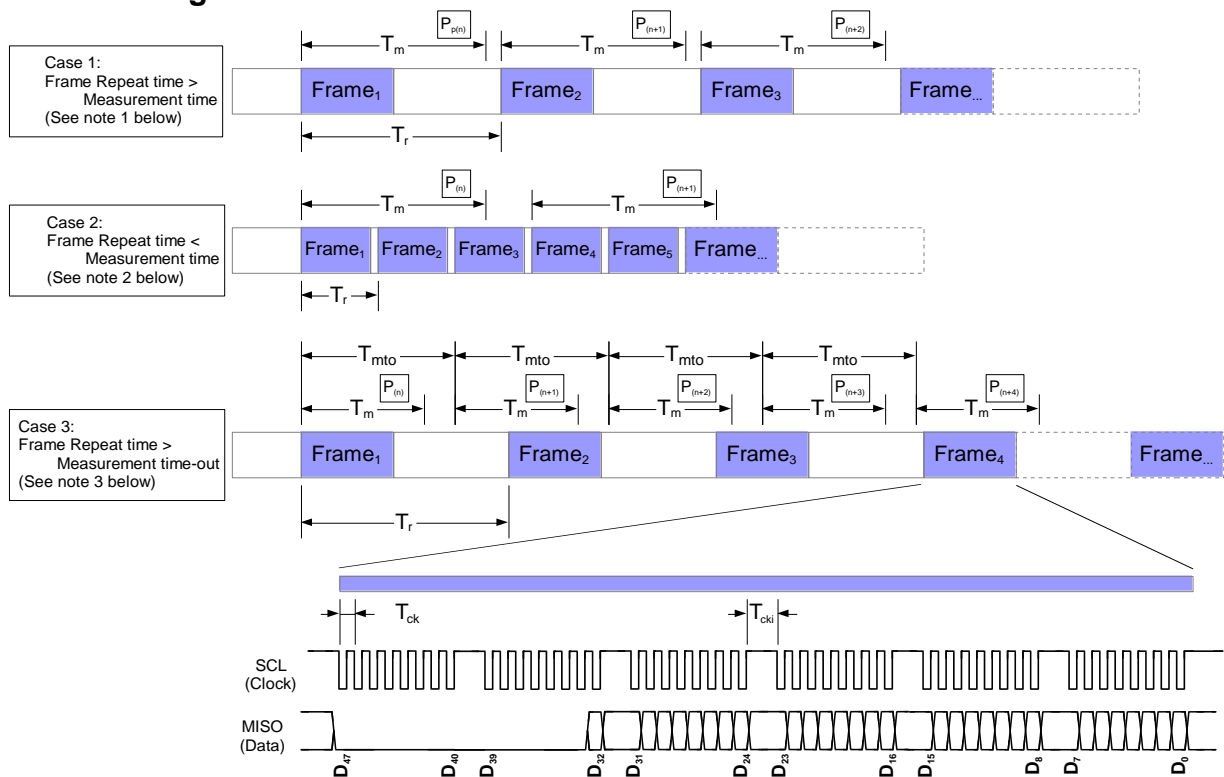
The SPI31 IncOder protocol specifies that each data frame consists of 8 bytes of data (each of 8 bits, 64 bits in total) containing the turn count, position, status flags and CRC.

Data Definition for IncOder SPI Protocol

D₆₃-D₄₉	SBZ	These bits will always be Zero.
D₄₈	ZPD	Zero Point Default flag. Set to 1 when the Zero Point is at Factory Default, otherwise 0.
D₄₇	nE	Error Flag. Set to 1 when position data is valid, otherwise 0.
D₄₆	nW	Turn Count Error Flag. Set to 1 when turn count data is valid, otherwise 0
D₄₅	PS	Position Synchronised flag. Set to 1 when the position measurement was triggered by a previous SPI Frame. Set to 0 when the position measurement was triggered by a Measurement Time-out (see Section 5.6.4). Use this flag to ensure that the IncOder has synchronised position measurements to the SPI Frames (Case 1, Section 5.6.4).
D₄₄-D_{r+20}	SBZ	These bits will always be Zero.
D_{r+19}-D_{r+8}	TC[11:0]	Turn Count data. When nW is 0, TC[11:0] value is not defined.
D_{r+7}-D₈	PD[r-1:0]	Binary position data. The width of this field is defined by the resolution of the IncOder. When nE is 0, PD[r-1:0] value is not defined.
D₇	SD	Stale Data flag. Set to 1 when the position data has been transmitted at least once before. Set to 0 when the position data has not been transmitted before. Use this flag to detect when a new measurement has been completed (Case 2, 6.6.3).
D₆-D₀	CRC[6:0]	Cyclic Redundancy Checksum. 7 Bit CRC: Polynomial 0x5B, Initial data 0x0000, MSB first (not reversed), No Final XOR.

Note – the CRC is generated from bits D7 through D32. It is calculated using a 32 bit word (or 4 bytes) with D7 shifted in to the Least Significant Bit and the 6 Most Significant Bits set to '0' as required.

5.6.4 SPI Timing Information



The above diagrams are for SPI1. The same timings apply for SPI31 except that the overall frame is 64 bits long.

Timings determined by the Controller (SPI Master):

- T_{ck} Clock period (1/T = 100kHz to 5MHz).
- T_{cki} Clock Idle Period. Time between bytes during which CLOCK is idle. T_{cki} should be $< T_{ckimax} = 10\mu s$
- T_r Frame Repetition period.

Timings defined by the IncOder (SPI Slave):

- T_m Position Measurement time. The time from the start of a position measurement to when the position and status is ready for transmission. $90\mu s \leq T_m \leq 95\mu s$
- T_{mto} Position Measurement Time-out. The time after a position measurement has been triggered that the IncOder will automatically trigger a new measurement. $135\mu s \leq T_{mto} \leq 145\mu s$.

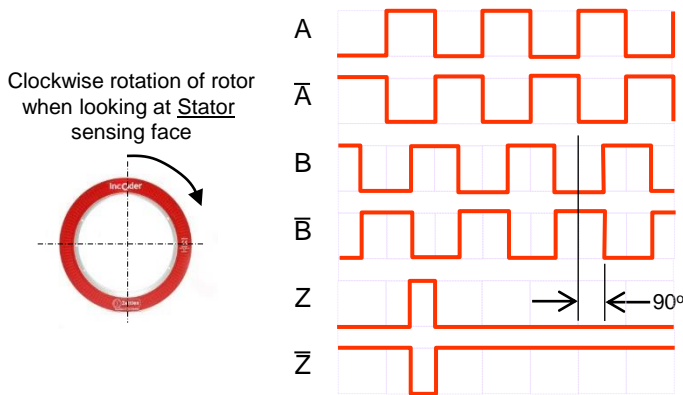
Notes:

- The IncOder will always attempt to trigger a new position measurement when a new SPI frame is started by the host. This will always be the case when T_r is greater than T_m and less than T_{mto} .
- If a position measurement has already been triggered when a new SPI frame is started by the host, then a new position measurement will not be re-triggered. This may be the case when T_r is less than T_m .
- If the Host does not start a new SPI frame within time T_{mto} from the previous frame (the case when T_r is greater than T_{mto}), then the IncOder will automatically trigger a new position measurement.
- In all cases, the IncOder will transmit the most recently completed measured position and status (see table below).
- When CLOCK is idle for at least T_{ckimax} , then the IncOder SPI interface will reset. The first falling edge on CLOCK after T_{ckimax} will start the transmission of a new frame. This can be useful if the SPI host and slave (IncOder) lose Frame/Byte synchronisation (detected by invalid CRC).

Frame Number	Position transmitted (Case 1)	Position transmitted (Case 2)	Position transmitted (Case 3)
Frame 1	$P_{(n-1)}$	$P_{(n-1)}$	$P_{(n-1)}$
Frame 2	$P_{(n)}$	$P_{(n-1)}$	$P_{(n)}$
Frame 3	$P_{(n+1)}$	$P_{(n-1)}$	$P_{(n+1)}$
Frame 4		$P_{(n)}$	$P_{(n+3)}$
Frame 5		$P_{(n)}$	

IncOders with A/B/Z pulses are often used as velocity or brushless motor encoders. A/B/Z pulse IncOders provide cyclical outputs as the encoder rotates. Streams of pulses are arranged in phase quadrature for direction sensing. The Z-reference or 'index' pulse is triggered once per turn. There are 6 Product Options:-

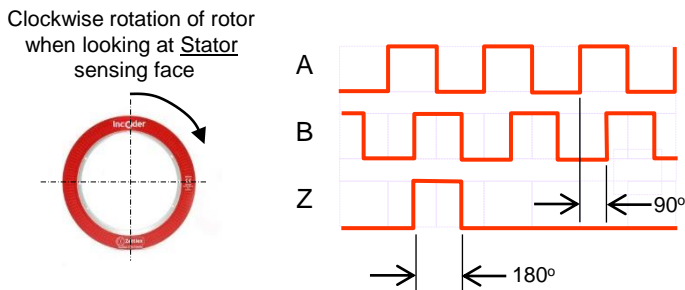
Product Option ABZ1 - RS422 with 90° width Z reference
Product Option ABZ2 - RS422 with 180° width Z reference



A leads B for clockwise rotation of rotor
 Phasing: 90° electrical
 Symmetry: 180° electrical
 Max. pulse frequency: 2MHz
 High signal: >2.5V
 Low signal: <0.5V
 Max. output load: 30mA
 Diagram shows 90° width Z reference (ABZ1)

Product Option ABZ3 - Push-Pull (TTL) with 90° width Z reference
Product Option ABZ4 - Push-Pull (TTL) with 180° width Z reference
Product Option ABZ5 - Push-Pull (HTL) with 90° width Z reference
Product Option ABZ6 - Push-Pull (HTL) with 180° width Z reference

Push-Pull devices may be run in antivalent mode (shown above) or single ended mode (shown below).



A leads B for clockwise rotation of rotor
 Phasing: 90° electrical
 Symmetry: 180° electrical
 Max. pulse frequency: 2MHz
 High signal: >Vsupply – 2V (HTL) or >4.5V (TTL)
 Low signal: <0.2V
 Max. current: 30mA
 Diagram shows 180° width Z reference (ABZ4 or 6)

Note: 1 edge = 1 count or 1 bit. 4 counts per pulse. Readers should be set to 4x resolution for full resolution.

Z Reference Position: The factory set Z Reference Position is at +/-5° of the Rotor and Stator dowel positions at 12 o'clock (near the 'O' of the printed 'IncOder'). Z Reference Position may be changed using the Z Set or Z Reset lines on the IncOder's electrical interface (see Section 5.2, 6 and 8.2).

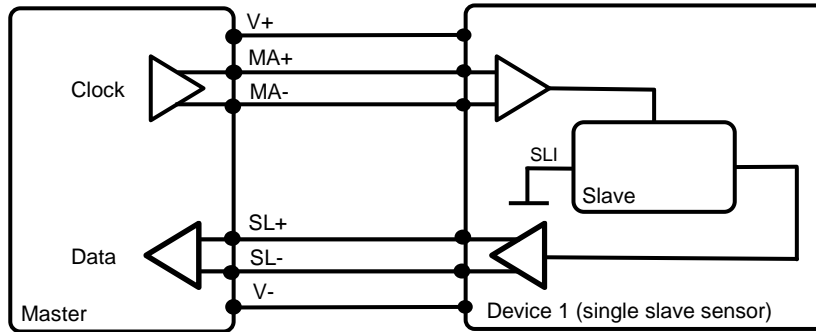
Setting Z Reference Position: Z Set signal sets the current position as Z Reference Position. This is held in memory when power removed. Z Reset signal will reset the Z Reference Position to factory setting (held in memory when power removed). To use, the relevant connection should be connected to electrical ground (<0.5V) for at least 2 seconds at power up but left unconnected (i.e. open circuit) during normal operation (see Section 6 or 8.2).

Error Signalling: IncOders carry out various self checks. If an error is detected, then an error signal is generated. This is shown by all outputs (including differential outputs) going to a floating output state.

Counts per rev (CPR) & Pulses per rev(PPR): CPR may be chosen as any even integer number of bits up to 19 e.g.12 (4096CPR). PPR may be chosen up to 131,072. See Section 7 on how to select CPR or PPR from the part number. In part number, letter P in front of chosen pulses per rev indicates selection.

5.8.1 BiSS-C Unidirectional Protocol Overview

BiSS-C is a popular communications interface between controllers and position sensors. The IncOder BiSS-C interface is unidirectional and provides fast, compact, economic serial communications using RS422 (SSI) compatible hardware. The IncOder BiSS-C interface is a point to point configuration (a single device with a single slave), conforming to the requirements of BiSS-C Unidirectional. In this configuration, the IncOder is the only slave connected to the master (the host control system).



The Master transmits clock signals to the Slave via the MA line. The SL line carries the sensor data directly from the Slave back to the Master. The interface has only two unidirectional, differential lines (as the IncOder permanently connects the input SLI to '0'). Parameters for the individual data channels are specified below. These parameters can be pre-programmed in the controller and referenced via an ID or lookup table, or manually entered.

BiSS-C Timing Parameters

Symbol	Parameter	Min.	Max.	Unit
$1/T_{MA}$	Clock Frequency	600	2000	kHz
$T_{BISS-TIMEOUT}$	BiSS Timeout	15	20	micro-seconds

The IncOder implements a “pipelined” data output. The position (and status) returned in the SCD is from the reading triggered by the previous BiSS frame (provided that the frame repetition period conforms to the requirements described for the SPI protocols - see Section 5.6).

5.8.2 BiSS-C Protocol for Single Turn IncOders – Product Options BIS3

BIS3 IncOder protocol: BiSS-C Data Channel Parameters

Number of Bits (SCD length)	30 bits
Processing Time	12 Clock Cycles (12 x T_{MA} micro-seconds)
Data Area Length & Alignment	24 Bits
CRC	Width: 6Bits Polynomial: 0x43 Initial Value: 0x00 Output Inverted

Data Area Definition

MSB										LSB	
D21	D20	D19	D18	D17	...	D3	D2	D1	D0	nE	nW

- D21: Most significant bit of the position data (if IncOder resolution is <22Bits the LSBs are set to '0')
- D0: Least significant bit of the position data.
- nE: '1' = position valid
- nW: Always '1'

Example for 18 bit resolution:

MSB										LSB	
D17	D16	D15	...	D1	D0	0	0	0	0	nE	nW

NOTE: For details regarding BIS1 and BIS2 legacy variants, please contact Celera Motion.

5.8.3 BiSS-C Protocol for Multi-Turn IncOders – Product Options BIS31

BIS31 IncOder protocol: Turn count 0 – 4095.

BiSS-C Data Channel Parameters

Number of Bits (SCD length)	30-42 bits
Processing Time	12 Clock Cycles (12 x T_{MA} micro-seconds)
Data Area Length & Alignment	24-36 Bits
CRC	Width: 6Bits Polynomial: 0x43 Initial Value: 0x00 Output Inverted

Data Area Definition

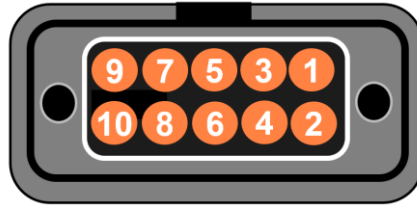
MSB										LSB	
D_{r+11}	D_{r+10}	D_{r+1}	D_r	D_{r-1}	D_{r-2}	D_1	D_0	nE	nW

- D_{r+11} : Most significant bit of the turn count data
- D_r : Least significant bit of the turn count data.
- D_{r-1} : Most significant bit of the position data
- D_0 : Least significant bit of the position data.
- nE: '1' = position valid
- nW: '1' = turn count valid

Note: The size of the Data area, is dependent on the resolution r , of the IncOder. For example, for a 16 bit resolution part, $r = 16$ and the Data area length will be 30 Bits.

6. Connector Pin Assignments

The following section describes the electrical supply and data connections for AC1 (Section 4.7) and RFC* connector product options (Section 4.8). The image below represents the device connector plug used in AC1, RFC1-4 and RFC11-14 options. Compatible cable options are detailed in Section 8.



Connector Pin (For Info. Only)	Digital Output SSI, SPI & BiSS-C	Digital Output ASI	Analogue DCV Output (0-5V, 0-10V etc)	ABZ Output
10	V _{supply}	V _{supply}	V _{supply}	V _{supply}
9	0V	0V	0V	0V
5	Data A	Data A	Signal	A
7	Data B	Data B	Signal Ref.	A complement
8	Clock A	Not Used	Span Set	B
6	Clock B	Not Used	Direction Set	B complement
1	Zero Set	Zero Set	Zero Set	Z Ref Set
2	Zero Reset	Zero Reset	Reset	Z Ref. Reset
3	Reserved - NC	Reserved - NC	Reserved - NC	Z
4	Reserved - NC	Reserved - NC	Reserved - NC	Z complement

Notes:-

- Aligned with connector key as shown.
- Pin Assignments applies to AC1 connectors (Section 4.7) and connectors at end of RFC connections (Section 4.8).
- Does not apply to *FL* Integral Cable Product Options. See section 4.9 for FL* Wiring Assignment.
- 27kOhm pull up resistors fitted to Zero Set, Span Set, Direction Set, Zero Reset & Reset inputs
- Reserved pins are for factory use only and should be left open circuit.

INC - X - XXX - XXXXXX - XXXX - XXXX - X - XX

Mechanical Format

Ultra High Accuracy
Screw Mount Stator &
Screw Mount Rotor – **3H**

Ultra High Accuracy
Servo Clamp Stator &
Plain Rotor – **6H**

Ultra High Accuracy
Screw Mount Stator &
Set Screw Rotor – **7H**

Ultra High Accuracy
Screw Mount Stator &
Plain Rotor – **8H**

Ultra High Accuracy
Servo Clamp Stator &
Screw Mount Rotor – **9H**

Ultra High Accuracy
Duplex Stator &
Duplex Rotor – **10H**

Outer Diameter

075	150	225
090	175	250
100	200	300
125		

Resolution

17 Bits **171001**
18Bits **181001**
19Bits **191001**
20Bits **201001**
21Bits **211001**
22Bits (Note 5) **221001**
PPR (Note 6) **PXXXXXX**

Communication Interfaces

ASI1 Asynch. Serial I/face 1
ASI2 Asynch. Serial I/face 2
ASI31 Asynch. Serial I/face Multiturn 31
ASI32 Asynch. Serial I/face Multiturn 32
SSI1 SSI Type 1
SSI2 SSI Type 2
SSI4 SSI Type 4 (Note 3)
SSI6 SSI Type 6
SSI7 SSI Type 7
SSI8 SSI Type 8 (Note 3)
SSI9 SSI Type 9 (Note 3)
SSI31 SSI Multiturn Type 31 (Note 8)
SSI32 SSI Multiturn Type 32 (Note 8)
SPI1 Serial Peripheral I/face
SPI31 Serial Peripheral I/face Multiturn 31 (Note 8)
BIS3 BiSS-C Type 3
BIS31 BiSS-C Multiturn Type 31 (Note 8)
ABZ1 RS422 90° width Z (Note 2)
ABZ2 RS422 180° width Z (Note 2)
ABZ3 Push-Pull TTL 90° width Z (Note 2)
ABZ4 Push-Pull TTL 180° width Z (Note 2)
ABZ5 Push-Pull HTL 90° width Z (Note 2)
ABZ6 Push-Pull HTL 180° width Z (Note 2)

Finish

S SurTec650

Supply Voltage

5 **5HT** high temp. (Note 7)
12 **12CT** cold temp.
24 **24CT** cold temp.

Connector

AC1 axial connector
RFC1 vertical connector, 100mm radial
RFC2 vertical connector, 12mm radial
RFC3 90 degree connector, 100mm radial
RFC4 90 degree connector, 12mm radial
RFC5 no connector, 100mm radial
RFC6 no connector, 12mm radial
RFC7 downward cable, 12mm radial
RFC8 upward cable, 12mm radial
RFC9 downward cable, 100mm radial
RFC10 upward cable, 100mm radial
RFC11 vertical connector, obverse, 100mm radial
RFC12 vertical connector, obverse, 12mm radial
RFC13 90 degree connector, obverse, 100mm radial
RFC14 90 degree connector, obverse, 12mm radial
AFL1 integral axial cable
AFL2 integral axial cable, sealed
AFL3 integral axial, high flex cable
AFL32 integral axial, high flex cable, sealed
AFL4 integral axial cable, low profile
AFL42 integral axial cable, low profile, sealed
AFL5 integral axial, PTFE / MIL spec,
AFL52 integral axial, PTFE / MIL spec, sealed
BFL1 integral radial cable
BFL2 integral radial cable, sealed
BFL5 integral radial, PTFE / MIL spec,
BFL52 integral radial, PTFE / MIL spec, sealed
EFL1 integral cable tangential CW
EFL2 integral cable tangential CW, sealed
EFL5 integral cable tangential CW, PTFE / MIL spec,
EFL52 integral cable tangential CW, PTFE / MIL spec, sealed
FFL1 integral cable tangential CCW
FFL2 integral cable tangential CCW, sealed
FFL5 integral cable tangential CCW, PTFE / MIL spec,
FFL52 integral cable tangential CCW, PTFE / MIL spec, sealed

Notes:

1. 1 IncOder includes 1 Stator & 1 Rotor but excludes Accessories (e.g. Servo Cables)
2. Highest resolution for ABZ output is 19Bits
3. Maximum effective resolution limited by communications protocol – see Section 5.1
4. See Section 4.10 for Extended Product Range options
5. 22Bit resolution only available in sizes of 150mm and above
6. ABZ pulse output only - if required resolution is not an integer bit value, specify even number of pulses up to a max of 131,072
7. High Temperature Option only available with SSI, SPI, ASI & BiSS-C Communications
8. MT options a) not available in HT or CT supply options; b) OD 75-125mm Max Resolution = 20-bits, OD 150-300mm Max Resolution, 21-bits.



We're here to help – any difficulties, then please contact Celera Motion or your local representative.

Here are some example part numbers:-

INC – 3H – 075 – 181001 - SSI1 - AC1 – 12 – S = Ultra High Accuracy Screw mount format, 75mm diameter, 18 bit resolution, SSI1, axial connector, 12V, Surtec650 finish.

INC – 3H – 90 – 191001 - ASI1 - RFC1 – 24 – S = Ultra High Accuracy Screw mount format, 90mm diameter, 19 bit resolution, asynch. serial data, radial flex connector 100mm long, 24V, SurTec650 finish.

If a non-standard product is required, we will generate a part number accordingly – like the following example:-

INC – ACME – 508 – 141002 – X3601 - AB – 12CT – SBP = ACME custom design format, 508mm diameter, 14 bit resolution, data output over 2 revs, 0.5 to 5.0V over 360° clockwise, custom connector, 12V supply, cold temperature option, SurTec650 surface finish, Burn-in, leaded solder.

7.3 Product Ordering – Extended Range

For most applications Extended Product Range Options are not necessary. However, where these additional or alternative steps are necessary, add the following Product Options to the end of the standard part number. One or more of Extended Product Options may be added. Note that selection of any Extended Product Range Option increase costs and lead-times and should only be specified if necessary.

- B** Extended thermal stress-screening (burn-in test) / bake-off
- E** Engraved serial number and part number on Stator & Rotor (rather than serial label)
- G** Very high shock & vibration mechanical arrangement
- P** Use of leaded solder (rather than RoHS compliant solder)
- V** Option for high operating pressure
- C** Conformally coated sensor faces

For cold temperature option (to -60°C operating) select **12CT** or **24CT** in Supply Voltage Product Option. For high temperature option (to 105°C operating) select **5HT** in Supply Voltage Product Option.

Example of an extended part number:

INC – 3H – 150 – 191001 - ASI1 - RFC1 – 12CT – SBG

Ultra High Accuracy Screw mount format, 150mm diameter, 19 bit resolution, asynchronous serial data, radial connection 100mm long with vertical connector, 12V (cold temperature), SurTec650 surface finish, extended thermal stress-screening, very high shock & vibration arrangement.

8.1 Standard Cable (8-way) & High Temperature Cable (8-way)

Mating connector and tinned wires on other end.

Use this for SSI1-9, SPI1, ASI1-2 & BiSS-C comms.

Use 10-way cable for A/B Pulse comms (Section 8.2).

Standard Cable:-

Product Option INC – CAB3 – 2 (2m long)

Product Option INC – CAB3 – 5 (5m long)

Product Option INC – CAB3 – 10 (10m long)

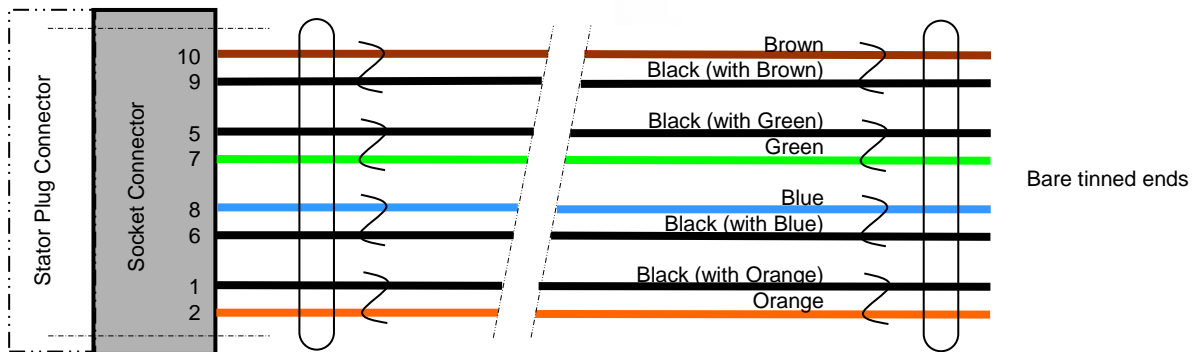


High Temperature Cable:-

Product Option INC – CAB3 – 2 – HT (2m long)

Product Option INC – CAB3 – 5 – HT (5m long)

Product Option INC – CAB3 – 10 – HT (10m long)



Pair No.	Colour	Connector Pin (For Info. Only)	Signal (SSI1-8 & SPI & BiSS-C)	Signal (ASI1)
1	Brown	10	V _{supply}	V _{supply}
1	Black	9	0V	0V
2	Black	5	Data A	Data A
2	Green	7	Data B	Data B
3	Blue	8	Clock A	Not Used
3	Black	6	Clock B	Not Used
4	Black	1	Zero Set	Zero Set
4	Orange	2	Zero Reset	Zero Reset

Notes

- Socket Connector: Harwin DataMate J-Tek 10-way with 2 jack screws, part number M80-461-10-42
- Temperature Rating = -30 to +80Celsius or 105Celsius for High Temp. option
- UL Temperature Rating 80Celsius (UL AWM Style 2464) or 105Celsius for High Temp. option
- Cable diameter = 6mm nominal
- Min. flexing rad. = 76mm with a 1-off bend radius (e.g. on installation) of 20mm
- Cable length = 2, 5 or 10m (-5%) as standard
- Cable sheath & outer jacket = PVC for standard & PTFE for High Temp. option
- Conductors = 24 AWG multi-strand copper wires, twisted pairs, overall foil shield, tinned copper drain wire
- Conductor insulation = polyethylene for standard & PTFE for High Temp. option
- For integral cable connection table see Section 4.9.

8.2 Standard Cable (10-way)

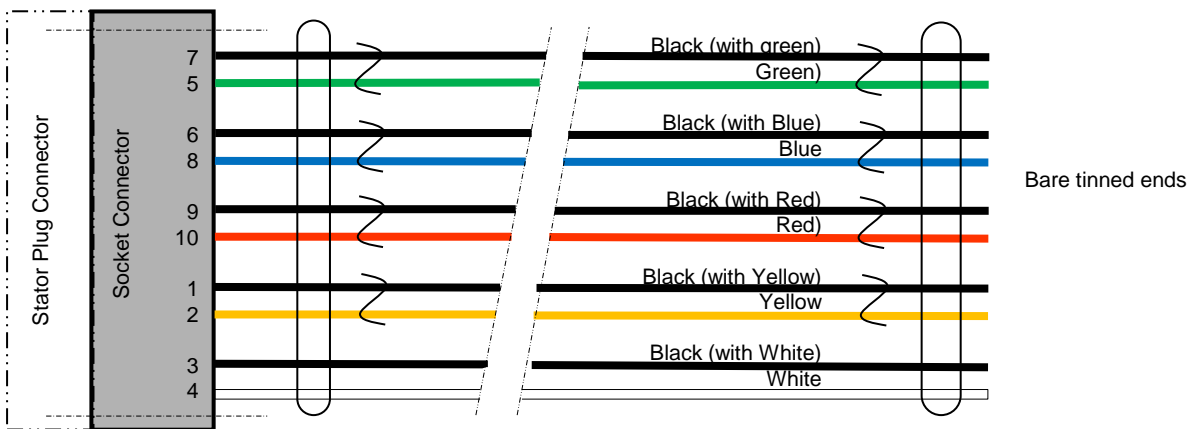
Mating connector and tinned wires on other end.

Use this cable for A/B pulse comms.

If used for SSI, SPI, ASI, & BiSS-C comms, do not use connector pins 3 & 4.



- Product Option INC – CAB5 – 2 (2m long)
- Product Option INC – CAB5 – 5 (5m long)
- Product Option INC – CAB5 – 10 (10m long)



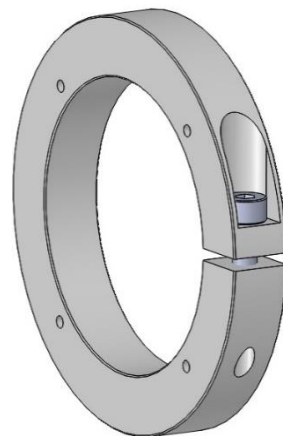
Notes

- Cable is 10-way, 24 AWG stranded (7x32) conductors, semi-rigid PVC external insulation & jacket, 5x twisted pairs, overall foil shield (100% cover), 24AWG stranded drain tinned copper drain wire.
- Socket Connector: Harwin DataMate J-Tek 10-way with 2 jack screws, part number M80-461-10-42
- Temperature Rating = -30 to +80Celsius. UL Temperature Rating 80Celsius (UL AWM Style 2464)
- Diameter = 7.3mm
- Cable length = 2, 5 or 10m (-5%) as standard
- Min. flexing rad. = 76mm with a 1-off bend radius (e.g. on installation) of 20mm
- For integral cable connection table see Section 4.9.

Pair No.	Colour	Connector Pin (For Info. Only)	Signal (A/B pulses & Z Ref.)	Digital Output SSI, SPI & BiSS-C	Digital Output ASI
1	Black	7	A complement	Data B	Data B
1	Green	5	A	Data A	Data A
2	Black	6	B complement	Clock B	Not Used
2	Blue	8	B	Clock A	Not Used
3	Black	9	0V	0V	0V
3	Red	10	V _{supply}	V _{supply}	V _{supply}
4	Black	1	Z Ref Set	Zero Set	Zero Set
4	Yellow	2	Z Ref. Reset	Zero Reset	Zero Reset
5	Black	3	Z	Reserved - NC	Reserved - NC
5	White	4	Z complement	Reserved - NC	Reserved - NC

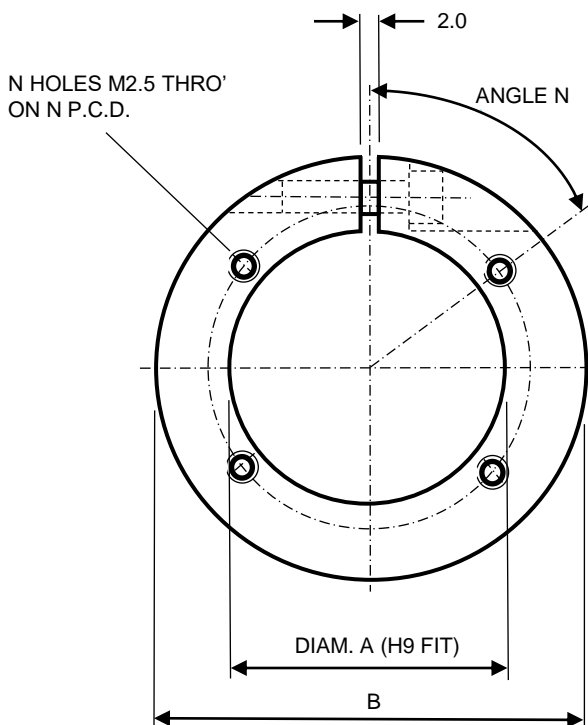
8.3 Rotor Shaft Clamp – Part Number INC-RSC-X

Rotor Shaft Clamps are for use with Screw Mount Rotors and allow the Rotors to be clamped, rather than screwed, to a through shaft. Rotor Shaft Clamps screw to the Rotors using the holes on the inner part of the Rotor. Once attached, the assembly is then tightened on to the through shaft using the Clamp's own screw. Rotor Shaft Clamps come in various sizes suitable for 75 to 300mm IncOrders.

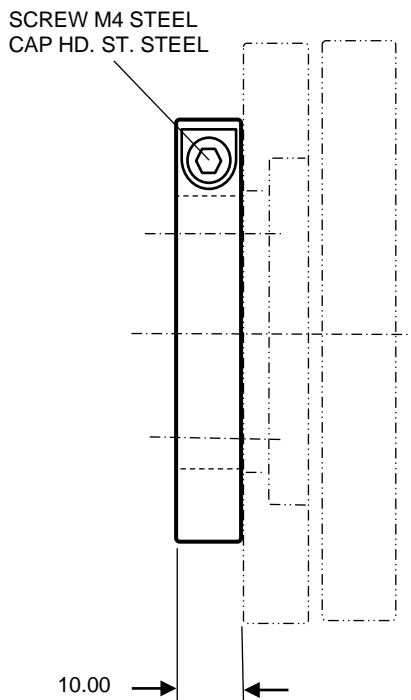


NOTES

1. **3D CAD IGES FILES AVAILABLE ON WWW.CELERAMOTION.COM**
2. ALL DIMS IN mm – DO NOT SCALE
3. 3RD ANGLE PROJECTION
4. MATERIAL = ALUMINIUM ALLOY, HARD ANODIZED
5. TOLERANCES (UNLES STATED OTHERWISE):-
 0 DECIMAL PLACES = ± 0.5
 1 DECIMAL PLACES = ± 0.2
 2 DECIMAL PLACES = ± 0.1



SIDE ELEVATION SHOWING POSITION OF A SCREW MOUNT ROTOR & A STATOR

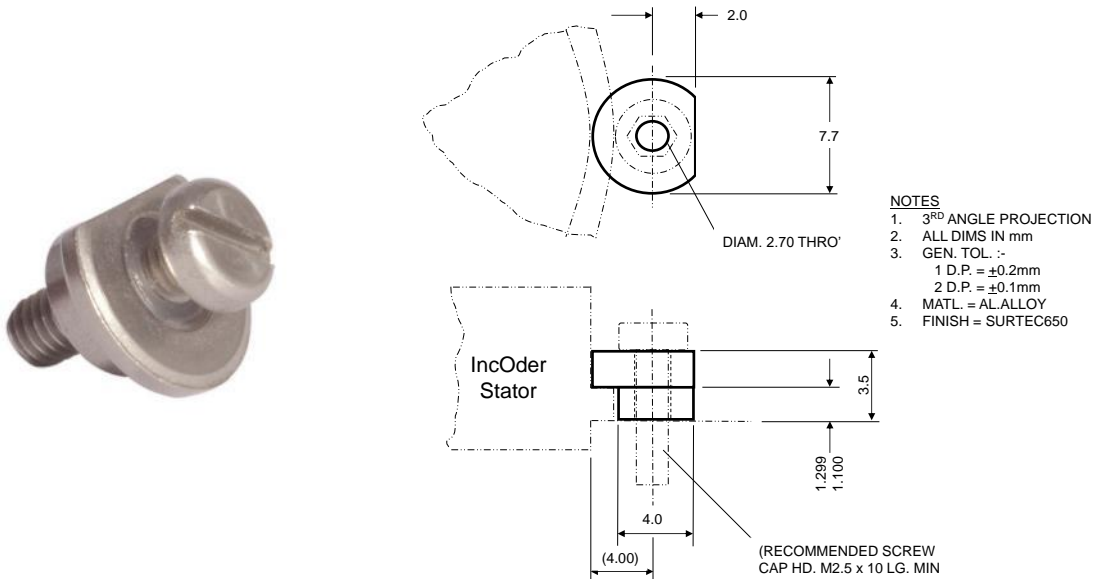


NOTE REGARDING ATTACHMENT METHOD. FIRSTLY, ATTACH CLAMP TO ROTOR USING 'N' SCREWS. TIGHTEN M4 SHAFT CLAMP SCREW TO SECURE TO SHAFT AND ONLY THEN TIGHTEN THE 2 SCREWS ADJACENT TO SHAFT CLAMP SPLIT LINE.

Description	Part Number	Dim. A mm	Dim. B mm	N P.C.D. mm	N Angle Degrees	N Holes
Rotor Shaft Clamp for 75mm IncOrder	INC-RSC-75	24.000	44.00	30.50	45	4
Rotor Shaft Clamp for 100mm IncOrder	INC-RSC-100	49.000	69.00	55.50	45	4
Rotor Shaft Clamp for 125mm IncOrder	INC-RSC-125	74.000	94.00	80.50	45	4
Rotor Shaft Clamp for 150mm IncOrder	INC-RSC-150	99.000	119.00	105.50	30	6
Rotor Shaft Clamp for 175mm IncOrder	INC-RSC-175	124.000	144.00	130.50	30	6
Rotor Shaft Clamp for 200mm IncOrder	INC-RSC-200	149.000	169.00	155.50	30	6
Rotor Shaft Clamp for 225mm IncOrder	INC-RSC-225	174.000	194.00	180.50	30	6
Rotor Shaft Clamp for 250mm IncOrder	INC-RSC-250	199.000	219.00	205.50	22.5	8
Rotor Shaft Clamp for 300mm IncOrder	INC-RSC-300	249.000	269.00	255.50	22.5	8

8.4 Servo Clamp – Part Number INC-CLAMP1

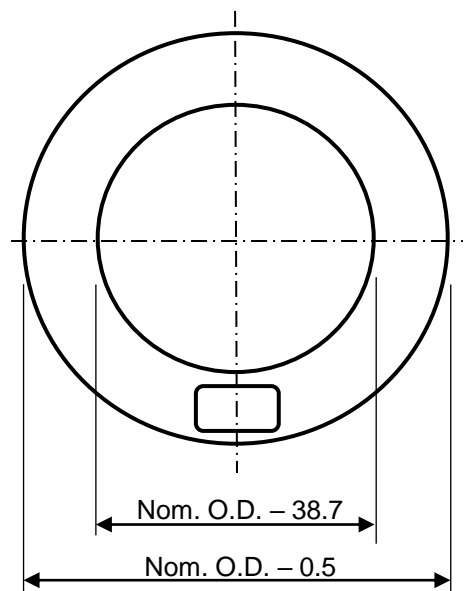
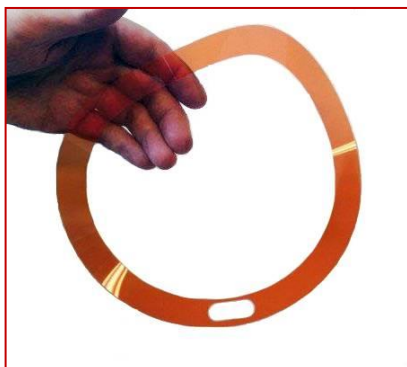
For use with Servo Clamp format Stators. Servo Clamps are sometimes referred to as ‘Clamp Cleats’ or ‘Screw Clamps’. We recommend at least 3 Clamps on each Stator in M2.5 locations equispaced on a P.C.D. of IncOder dimension (**A** + 8.00). Supplied in a pack of 3. For IncOders up to and including 125mm use at least 3 Clamps; for 150 & 175mm use at least 4 and at least 6 for larger sizes.



8.5 Shim – Part Number INC-SH-XX

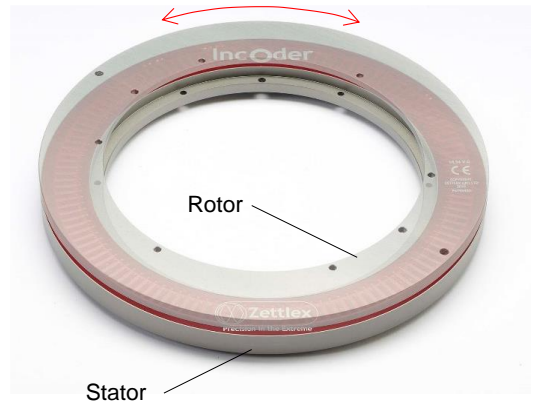
For use with all mechanical format IncOder Stators and/or Rotors where the host system is arranged such that axial gap IncOder limits cannot otherwise be met. The shims are nominally 0.1mm thick Polymex™ Polyester. A variety of sizes are available from 75 to 250mm sizes in 25mm steps. Specify by the nominal O.D. e.g. INC-SH-75. An aperture allows axial cable/connector egress. Supplied in packs of 5.

Part Number INC – SH -75 Nominal O.D. 75.0mm
 Part Number INC – SH -100 Nominal O.D. 100.0mm
 Part Number INC – SH -125 Nominal O.D. 125.0mm
 Part Number INC – SH -150 Nominal O.D. 150.0mm
 Part Number INC – SH -175 Nominal O.D. 175.0mm
 Part Number INC – SH -200 Nominal O.D. 200.0mm
 Part Number INC – SH -225 Nominal O.D. 225.0mm
 Part Number INC – SH -250 Nominal O.D. 250.0mm



9.1. How do IncOders work?

IncOders work in a similar way to rotary variable transformers, brushless resolvers or synchros. The Stator receives DC power and produces a low power AC electromagnetic field between the Stator & Rotor. This field is modified by the Rotor depending on its angle. The Stator senses the resulting field and outputs the rotation angle as an analogue or digital signal. Unlike resolvers, IncOders use laminar circuits rather than wound wire spools. This technology enables IncOder's compact form, low mass, low inertia and high accuracy without high precision installation.



9.2. Is IncOder measurement truly absolute for absolute output devices?

Yes. Measurement will be the same before and after power interruption. No motion is needed at start up.

9.3. Does measurement performance vary with Rotor concentricity?

Resolution, repeatability & accuracy (linearity) will be as specified, provided Rotor concentricity is within specified limits. One might expect accuracy to degrade significantly with concentricity, but IncOders use the full faces of Rotor & Stator, so errors are nulled by diametrically opposing factors. This is different to other encoder technologies – notably optical or capacitive devices - where performance depends on tightly controlled concentricity.

9.4. Can IncOders be used outside the stated operating temperature limits?

Operating temperature limits are set by some of IncOder's electronic parts rather than the basic technique. Standard IncOders are rated -40 or 85°C operation. The Extended Range offers a cold option (Product Options 12VCT or 24VCT) for -60°C or a high temperature option for +105°C (Product Option 5HT). IncOders can be used outside these limits following qualification by the user. At temperatures at or below the stated lower limit, it is recommended to leave the unit powered or allow an extended powered period (>1 minute) before operation.

9.5. What happens if the Rotor or Stator get wet or dirty?

Measurement performance is unaffected by humidity, condensation, dirt, dust, oil, mud or sand. All IncOders will survive temporary immersion to depths of 1m water. Where frequent exposure to liquids, or immersion, is part of the operating environment, units with integral connection and Product Option C should be specified.

9.6. How can an IncOder be calibrated?

Each Ultra range unit is calibrated and an accuracy certificate is supplied.

9.7. At what Baud rate can the data interface operate at and does this effect cable length?.

The longer the transmission distance (Cable Length), the slower the recommended Baud Rate. This table shows recommended Baud Rates vs. Cable Length.

Baud Rates For Data Transmission				
Cable Length (m)	<30	<60	<120	<250
Baud Rate	<400 kHz	<300 kHz	<200kHz	<100 kHz

9.8. Are IncOders affected by magnets?

No. Magnets produce DC fields. IncOders use AC electro-magnetic fields at a highly specific frequency.

9.9. Are IncOders suitable for use in harsh electromagnetic fields?

Yes. Many IncOders are used near powerful sources of electromagnetic noise such as motors or transformers. IncOder's aluminium housing produces a Faraday cage effect around the internal electronics and the technology is designed so that incoming, far-field radiation is self cancelling or filtered out.

9.10. Do IncOders produce electromagnetic emissions?

Radiated emissions are tiny and limited to the IncOder's internal sensor faces. The IncOder housing has a Faraday cage effect. IncOders are often used in proximity to sensitive devices such as navigation aids.

9.11. What if we need to earth the IncOder casing?

Some applications such as fighting vehicles and aircraft require the IncOder casework to be electrically earthed. Some IncOder housing finishes are hard-anodized which is non-conductive. A connection can be made using an earth strap with a crinkle washer which penetrates the anodized surface. Alternatively, remove the anodized surface in the immediate vicinity of the strap (usually located using one of the attaching screws) using a file or abrasive. Alternatively, conductive finishes such as Surtec650 may be specified from the Extended Product Range (standard for 37 and 58mm products).

9.12. Does the Rotor need electrical earthing?

No. Some capacitive devices require the rotating shaft to be electrically connected to earth so as to avoid electrostatic interference. There is no such requirement with IncOder.

9.13. Does measurement performance vary with Rotor to Stator gap?

Resolution, repeatability & linearity will be as specified, provided gap is to specified tolerances. Within limits, the IncOder's measurement resolution & repeatability are independent of gap. If gap tolerance is increased from $\pm 0.1\text{mm}$ to $\pm 0.2\text{mm}$ the *guaranteed* measurement non-linearity will double. For example, if a 250mm IncOder has a gap tolerance of $\pm 0.30\text{mm}$ (rather than the specified $+0.1\text{mm}$) the *guaranteed* linearity will increase from ± 20 arc-secs to ± 40 arc-secs.

9.14. Do IncOders carry out self checks or Built-In-Test (BIT)?

Yes. If BIT shows an internal error then an error signal is generated. The BITs include continuity/damage, presence of Rotor, in-range Rotor, gross electromagnetic malfunction, window watchdog timer, power on reset, power brownout reset, timeouts for clock input, read/write and internal flash data memory value checks.

9.15. Do IncOders outgas?

IncOder housings are Surtec finished aluminium which produce no outgassing. The epoxies and other materials used inside the devices comply with NASA's classification of low outgassing materials for spacecraft with TML of $<1\%$ and CVM of $<0,1\%$ measured at 125°C over 24 hours in vacuum according to ASTM E-595-90. IncOders are successfully used with sensitive optical devices without residues from the IncOder affecting the lenses.

9.16. How can we specify a custom IncOder variant?

Use this document as a basis and specify any differences. Preferably, a standard outer diameter 'A' dimension (i.e. 75, 90, 100, 125mm etc.) and a proportionate inner diameter should be used – see Section 4.6. This enables us to use regular sensor components with an alternative mechanical format.

9.17. What's the largest IncOder you can build?

595mm outer diameter is the largest size which can be found in our Maxi Product series product guide. Contact Celera Motion or your local representative for larger sizes.

9.18. Do IncOders require an Export License?

Not usually. IncOders are exempt from Annex I to Council Regulation (EC) No. 428/2009, as amended [EU Dual-Use List] and only require an export license if the diameter is greater than or equal to 1000mm or accuracy is <1 arc-second. No standard products are in this class.

9.19. How does Celera Motion manage the obsolescence of electronic components?

Celera Motion has detailed obsolescence policies and procedures as part of our Quality Management System. Generally, our policy is only to use electronic components which are widely used; available from a variety of sources and have low likelihood of obsolescence. In the event of an electronic component becoming obsolete we typically select, specify and, if necessary, qualify a suitable form, fit & functional alternative.

9.20. Can IncOders be used submerged in oil or water?

Yes. All units can be used in mineral oil. Use integral axial cable connections for submersion in water together with Extended Range Product Option C. If submersion is at depth then also specify Extended Range Product Option C. If necessary, contact Celera Motion for further information.

9.21. Can we accurately calculate speed using an IncOder?

Yes. There are various approaches and the optimal approach depends on the nature of your application and how accurately speed is to be measured. The first option is to use an IncOder with A/B pulses. The second option is to use a Duplex IncOder (INC-10) with an A/B pulse inner and an absolute angle outer. The third option is to use a device with an absolute angle output such as SPI, BiSS-C or SSI, and where SPI1/31, BIS3/31 or SSI4 product options are particularly advantageous. The approach for this third option is detailed in a separate document - please refer to Zettlex IncOder App Note – Calculating Speed. You can find this in the IncOder section of our web-site (www.celeramotion.com) or ask your local representative for a copy.

9.22. Does current consumption depend on supply voltage?

No - because we use linear voltage regulators in the IncOder stator.

Revision History - 4.11.6 to 4.11.7

- Note that changes are referenced to the original sections or pages in Rev 4.11.6
- Pagination, Section Titles, Page Titles and references updated
- Page 3 – Contents page updated with new sections
- Page 4 – IP68 reference removed. Edited statement about housing surface finish
- Page 5 – Reference to IncOder supplied as a matched pair added
- Page 7 – "3D IGES FILES" changed to "3D MODEL FILES". Connector slot dimension corrected to 7.5mm MAX
- N/A – New INC-4H, INC-6H, INC-10H sections added
- N/A – New sections for Mechanical Format Combinations (Section 4.5) and Custom Mechanical Formats (Section 4.6)
- N/A – New "Axial Connector Option – AC1" page added
- Page 11 – Position of Vertical Connector reference updated
- Page 14 – Page re-formatted. Reference to IP68 removed. AFL dimensions added onto new separate page. Corrected AFL5 fixed bend radius. Updated AFL diagram block material note
- Page 17 – Note on length tolerance corrected
- Page 19 – Extended option "C" reference to include B-FFL cable options
- Page 20 – ABZ Max Speed for Rotation Data amended
- Page 21 – IP rating specification amended. Clarified Export License requirements
- Page 22 – Updated note on Zero Point.
- Page 23 – Added note specifying MT options not available with CT or HT options and limit on resolution.
- Page 27 – Multiturn Protocol format description corrected
- Page 28 – ASI1/31 update rate updated
- Page 33 – Zero Set connected for 2 seconds. Error signalling condition corrected from "low signal" to "floating output state"
- Page 34/35 – BIS1,2 options removed with reference note added
- Page 37 – New page design.
- Page 38 – New Mounting formats included. Removed BIS1,2 options. AFL1/2 temperature range corrected. IP68 reference removed. Added note specifying MT options not available with CT or HT options and limit on resolution.
- Page 40 – Removed DCV data from table. Updated Cable Length tolerance. Temperature specification amended. Removed reference to UL AWM Style 2464. New –HT Cable Product Image added
- Page 41 – Note for use with absolute interface types added. Removed DCV data from table. Extended Pinout to include reference to Absolute Protocol options. Removed reference to Belden 9505 cable. Updated Cable Length tolerance
- Page 46 – Edited and included reference to MT and BiSS-C options within FAQ 9.21

While Zettlex provides application assistance personally, through our literature, web-site and partners, it is the customer's responsibility to determine the suitability of the product in the application.

Specifications may change without notice. Quoted data is derived from test, analysis or design similarity. The information provided by Zettlex in this Product Guide is believed to be accurate and reliable as of this printing, however, Zettlex assumes no responsibility for its use.

WARRANTY/REMEDY

Zettlex warrants goods of its manufacture as being free of defective materials and faulty workmanship for 1 year from date of purchase. Zettlex standard product warranty applies unless agreed otherwise by Zettlex in writing. Please refer to Zettlex or local representative for warranty details. If warranted goods are returned to Zettlex during the warranty period then Zettlex will repair or replace, at its option, without charge those items that it finds defective. The foregoing is the buyer's sole remedy and is in lieu of all other warranties, expressed or implied, including those of merchantability and fitness for a particular purpose. In no event shall Zettlex be liable for consequential, special or indirect damages.



WARNING. PERSONAL INJURY.

Do not use these products as safety or emergency stop devices or in any application where failure of the product could result in personal injury. Failure to comply to these instructions could result in death or serious injury.



WARNING. PERSONAL INJURY.

Do not use these products in any application where there is the potential for combustion or explosion with flammable gases, dust or liquids. Failure to comply to these instructions could result in death or serious injury.

All products available via your local reseller or from the Celera Motion web-site at
<https://www.celeramotion.com>

Zettlex (UK) Ltd.
Faraday House
Barrington Road
Foxton
Cambridge
CB22 6SL
United Kingdom
Tel [+44] 01223 874444
Fax [+44] 01223 874111
Email info.zettlex@celeramotion.com
www.celeramotion.com