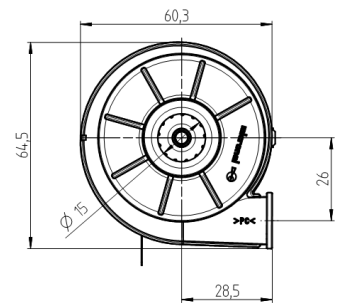
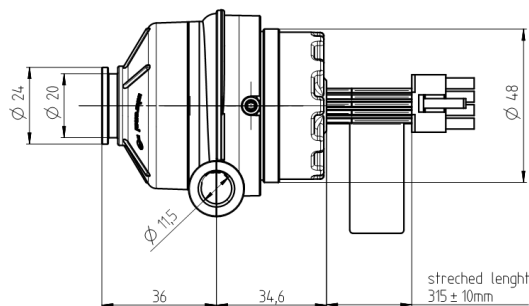
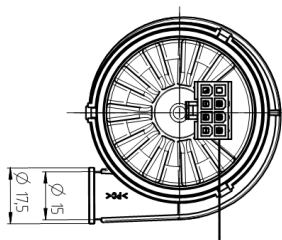
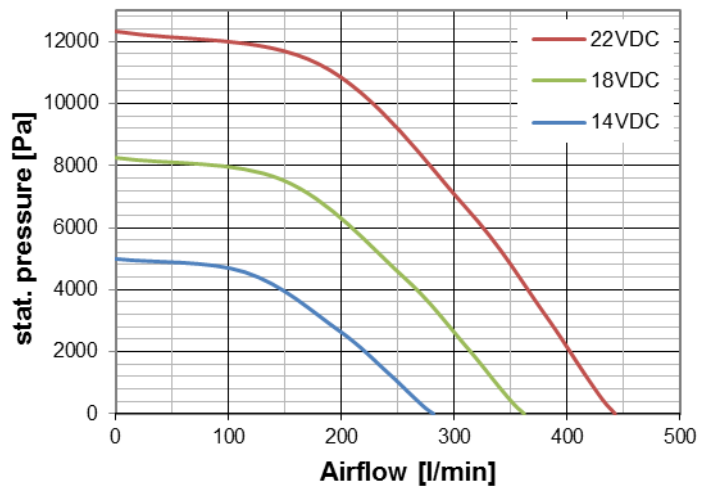
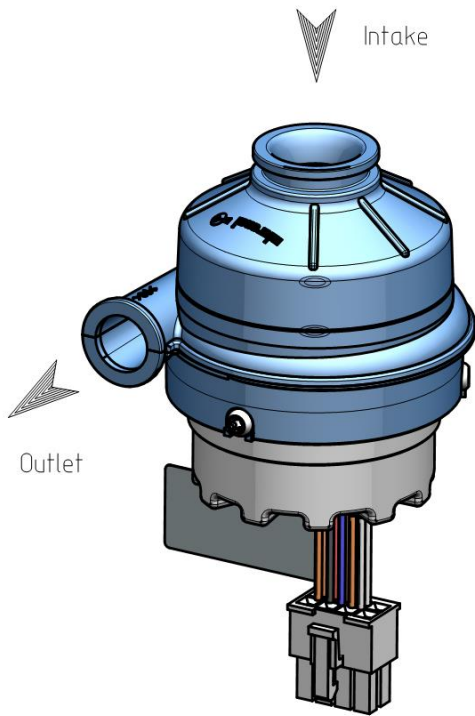


Miniatur Radial Gebläse ohne integrierter Elektronik
Miniature Radial Blower without integrated electronic



Direction of rotation CCW



Technische Daten

Allgemeine Beschreibung

Kompakter Lüfter mit effizientem Motor. Eigenschaften: Material: Gehäuse: PC, Flügelrad: PA. Bürstenloser 3-Phasen Motor ohne integrierter Treiber Elektronik.

Technical data

General description

Compact blower with an efficient motor. Features: Material: housing: PC, impeller: PA. Brushless 3-Phase motor without integrated driver electronic.

		U65M2-024KX-5
U_N	VDC	18
U	VDC	14 - 22
I_N freeblowing	mA	3'200
I_N typ. work. point	mA	2'300
I_N static	mA	1'700
P_N typ. work. point	W	45
n freeblowing	min ⁻¹	37'500
n typ. work. point	min ⁻¹	39'000
n static	min ⁻¹	39'000
V freeblowing	l/min	360
V typ. work. point	l/min	150
p work. point	Pa	7'500
p static	Pa	8'300
$LpA_{(WP)}$	dB(A)	-
T	°C	-20...+45
m	gr	315
Leads	mm	315 (AWG24 / 18)
Housing material		PC
Impeller material		PA6
Sleeve Bearing		N/A
Ball Bearing		•
Tacho		•
Speed control SP		N/A


Data's at Density: 1.2kg/m³

Operating Instruction and Warning

U65M2-024KX-5

Electrical connection

Connector type: MOLEX MINI-FIT 39-01-2080

			AWG	PIN	Description	Colour	
8		4	24	1	Hall sensor 1	Blue	
7		3	24	2	Hall sensor 2	Black	
6		2	24	3	Vhall 4.5...18VDC	Yellow	
5		1	18	4	Motorwinding 3	Orange	
				24	5	Hall sensor 3	Grey
				24	6	GND	Green
				18	7	Motorwinding 1	Brown
				18	8	Motorwinding 2	Red

Blower limits

- Max. allowed temperature on motor surface: 65° C
- Maximum speed: 45'000 1/min

Power supply requirement

Ripple voltage < 5%
 4000 mA

Info

**Specifications are subject to change without notice.
 Specifications on this Datasheet are for reference.**

Version: 20.10.2014 CP

Doc: U65M2-024KX-5 without integrated electronics.doc