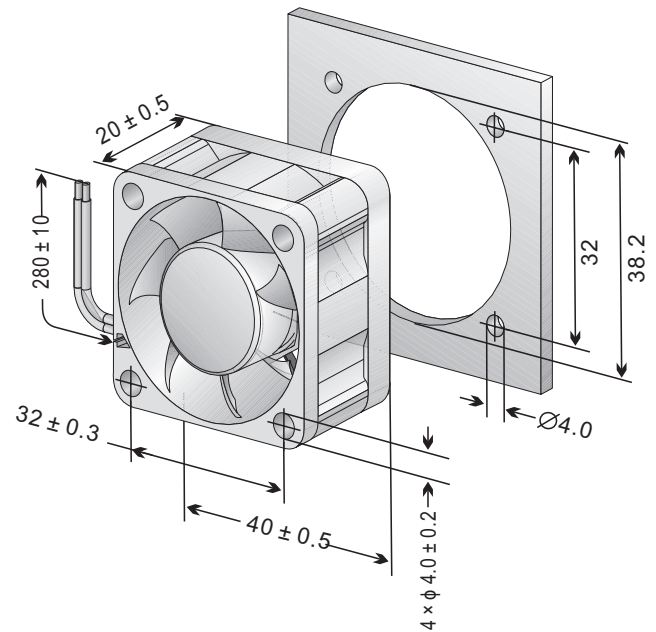
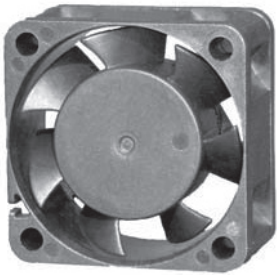


C-SERIES

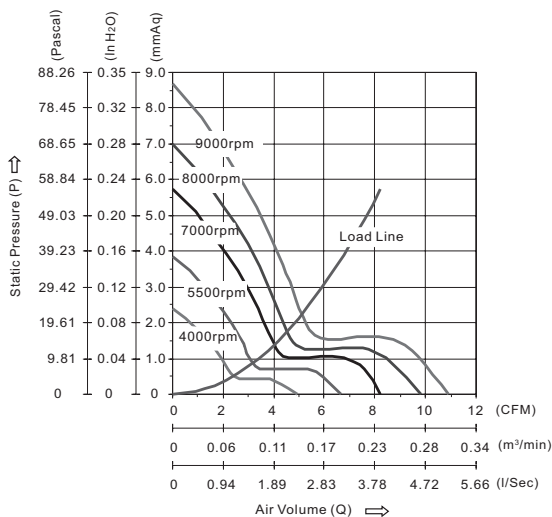


40 x 40 x 20 mm

Frame: Thermoplastic PBT (GF 30%), UL94-V0
 Impeller: Thermoplastic PBT (GF 15%), UL94-V0
 Bearing System: Ball Bearing or Sleeve Bearing
 Lead Wire: UL 1007, AWG 26 / 280 mm, Red (+), Black (-)
 Protection: Locked rotor protected for minimum 72 hours



PQ GRAPH (AT RATED VOLTAGE)



AVAILABLE FUNCTIONS

1a. IR	1b. AS	1c. MS	2a. FG	2b. RD	2c. RD _b	2d. LD	3. SG/PWM
	●		●	●	●	●	●
4. OV	5a. TPWM	5b. RPWM	6. CL	7. CS	8a. VPWM	8b. IPWM	8c. PPWM
●	●	●	●	●	●	●	0 to 5 V

Part Number	Voltage (VDC)	Current (Amp.)	Power (Watts)	Speed (RPM)	Air Flow (Q)		Pressure (P)		Noise (dBA)	Unit Weight (g/TY/CTN)
					(CFM)	(m³/min)	(mmAq)	(In H ₂ O)		
C4020H05BPLBx-7	05 (04-06)	0.203	1.02	7000	8.23	0.233	5.33	0.210	32.38	31.6 g (600 pcs)
C4020M05BPLBx-7		0.140	0.70	5500	6.19	0.175	3.24	0.128	27.14	
C4020L05BPLBx-7		0.066	0.33	4000	4.68	0.133	1.73	0.068	20.78	
C4020Y12BPLBx-7	12 (07-14)	0.172	2.06	9000	10.88	0.308	8.68	0.342	39.18	31.6 g (600 pcs)
C4020X12BPLBx-7		0.140	1.67	8000	9.81	0.278	6.98	0.275	36.27	
* C4020H12BPLBx-7		0.120	1.44	7000	8.23	0.233	5.33	0.226	32.38	
C4020M12BPLBx-7		0.056	0.67	5500	6.19	0.188	3.24	0.152	27.14	
C4020L12BPLBx-7		0.029	0.35	4000	4.68	0.139	1.73	0.094	20.78	
C4020Y24BPLBx-7	24 (15-27)	0.084	2.02	9000	10.88	0.308	8.68	0.342	39.18	31.6 g (600 pcs)
C4020X24BPLBx-7		0.069	1.67	8000	9.81	0.278	6.98	0.275	36.27	
C4020H24BPLBx-7		0.054	1.29	7000	8.23	0.233	5.33	0.210	32.38	

* small quantities available ex stock

- All MICRONEL fans listed here refer to double ball bearing types; Sleeve bearing types may consume about 10% more power for the same speed.
- Noise Measurements are taken with background noise of 16.8 dBA.
- Please see «Function Legend» for explanation of each function.
- Specifications are subject to change without notice.