

Incremental encoders

Optical and Magnetic Programming Options



Programmable Resolution 1...100.000 pulses

FNC 58B Series Programmable



Features

- Industry 58 mm standart size,
- Clamping flange version
- Robust mechanical and electrical construction
- Protection up to IP67
- Up to 65.536 PPR max.
- 2 MHz frequency
- Programming vi FNC PT - PC Programming tool
- FNC PT - PS easy programming software

PPR Options :

1 to 65.536 ppr for magnetic version
 1 to 100.000 ppr for optical verison
 up to 2.000.000 on request

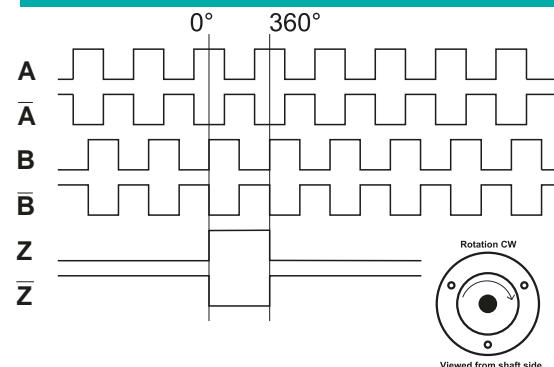
Technical data - electrical ratings

Voltage supply	4.75VDC to 30VDC 4.75VDC to 5.5VDC
Protection	Output short circuit protection. Reverse polarity protection Over voltage protection (except 5V version)
Consumption w/o load	60 mA (5 VDC) 35 mA (12 VDC) 26 mA (24 VDC) 27 mA (30 VDC)
Reference signal	Programmable length, 90° 180°, 270°, 360°
Output frequency	2 MHz
Output signals	90° shifted A and B, Z + all channels can be set indepently inverted
Output circuit	Linedriver/RS422 Push-pull short-circuit proof
Interference immunity	DIN EN 61000-6-2
Emitted interference	DIN EN 61000-6-4
Approval	CE

Technical data - mechanical design

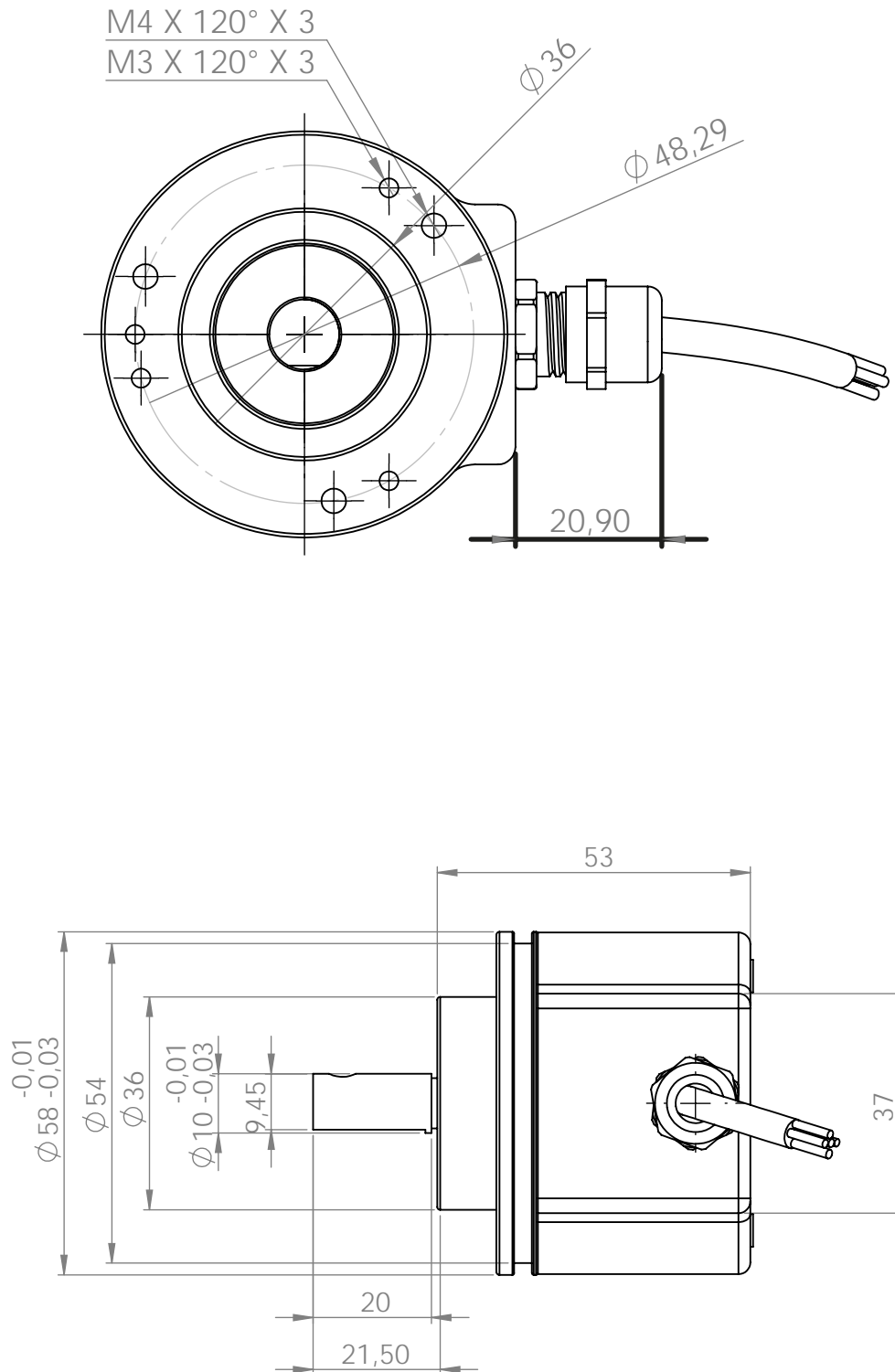
Dimensions (flange)	ø58 mm
Shaft loading	140 N axial 240 N radial
Protection DIN EN 60529	IP54, IP65
Operating speed	12000 rpm
Starting torque	0.025 Nm (IP 67)
Materials	Housing: Aluminum Flange: Aluminum Shaft : Stainless steel
Shaft diameter	6, 8, 10, 12 mm (other diameters on request)
Bearings lifetime	2x10 ⁹ rev. at 100% of full rated shaft load (minimum)
Operating temperature	-20...+85 °C
Storage temperature	-30 °C up to +90 °C
Weight approx	250 g

Pulse Diagram



FNC 58B Series Programmable

Mechanical Dimensions



Incremental encoders

Optical and Magnetic Programming Options

Programmable Resolution 1...100.000 pulses

FNC 58B Series Programmable

Cable Wiring

Function	Color	Renk	Farbe	Цвет	颜色	M2312 Connector
+VB	Brown	Kahve	Braun	Коричневый	棕色的	pin 2
GND	White	Beyaz	Wei	Белый	白色的	pin 10
A	Green	Yeil	Grn	Зеленый	绿	pin 5
A'	Green-Black	Yeil-Siyah	Grn-Schwarz	Зелено-черный	绿-蓝色的	pin 6
B	Yellow	Sarı	Gelb	Желтый	黄色的	pin 8
B'	Yellow-Black	Sarı-Siyah	Gelb-Schwarz	Желто-черный	黄色的-蓝色的	pin 1
Z	Gray	Gri	Grau	Серый	灰色的	pin 3
Z'	Gray-Black	Gri-Siyah	Grau-Schwarz	Серо-черный	灰色的-蓝色的	pin 4
NSS	Blue-Black	Mavi-Siyah	Blau-Schwarz	Сине-черный	蓝色的-蓝色的	pin 7
SCK	Blue	Mavi	Blau	Синий	蓝色的	pin 9
MISO	Orange	Turuncu	Orange	Оранжевый	橙	pin 11
MOSI	Orange-Black	Turuncu-Siyah	Orange	Оранжево-черный	橙-蓝色的	pin 12
CLK	Blue	Mavi	Blau	Синий	蓝色的	pin 7
DAT	Orange	Turuncu	Orange	Оранжевый	橙	pin 9

Programming Wires
Optical
Magnetic

FNC PT-PC Programming Device



FNCP 58BO 10630VX-R2

Programming Device - PC Cable

Encoder Part Number

FNCP 58 B O 10 6 30V X - R2

Housing: 58 : 58mm	Electrical Connections: Cable R2 : radial 2m, shield not connected (standart) A2 : axial 2m, shield not connected (standart)
Flange Type B : Clamping flange	PPR Options : 1 to 65.536 ppr for magnetic version 1 to 100.000 ppr for optical version up to 2.000.000 on request
O : Optical programmable M : Magnetic programmable	Supply Voltage and output circuit : 5V : 5V in / out 245V : 5-30V in 5V out 30V : 5-30V in / out
Shaft diameter : 4, 6, 8, 10, 12 Other dimensions on request	
Output Channels 3 : ABZ 4 : AB+A' B' 6 : ABZ+A' B' Z'	

FNC PT-PC Programming Device

Magnetic Programming PC view

Optical Programming PC view