

# Absolute encoders - SSI / BiSS



Shaft with clamping or synchro flange  
Single turn 9...19 bit,  
Multi turn 0...32 bit

## FNC AS 36E Series



### Features

- Encoder single - or multiturn /SSI - BiSS
- Magnetic or optical sensing
- Single turn resolution up to 22 bit
- Multi turn 0 ...16 bit
- Optional preset and direction input
- 36 mm diameter body
- 6 mm diameter solid shaft

### Technical data - electrical ratings

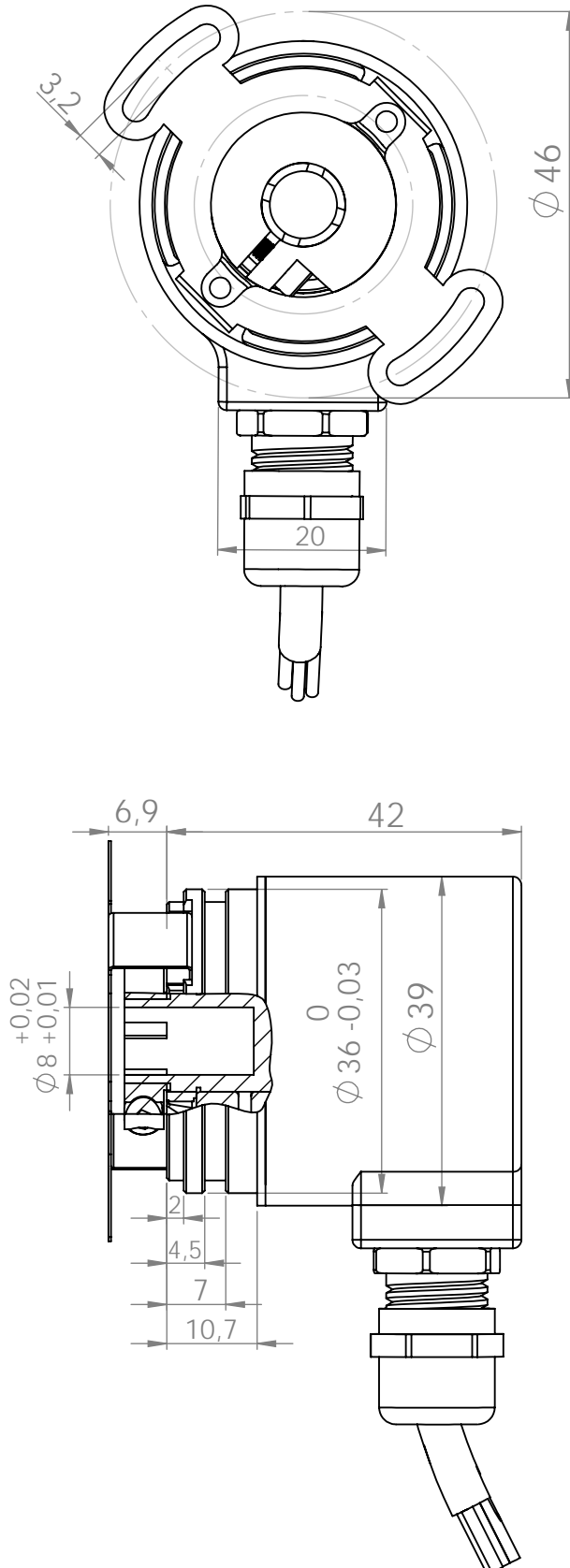
Voltage supply	8VDC to 30VDC
Protection:	Output short circuit protection. Reverse polarity protection ( except 5V version )
Consumption w/o load	≤80 mA (24 VDC)
Interface	SSI or BiSS
Resolution (steps/turn)	Magnetic: 14 bit Optic: 21 bit
Absolute accuracy	Magnetic: ±0,1° Optic: ±0,01°
Optoelectronic life time	100.000 (min)
Code	Gray or binary
Inputs	SSI differential clock Direction Electronic zero setting
Output frequency	up to 2MHz (SSI) up to 10MHz (BiSS)
Output circuit	SSI data linedriver RS485
Interference immunity	DIN EN 61000-6-2
Emitted interference	DIN EN 61000-6-4
Approval	CE

### Technical data - mechanical design

Dimensions (flange)	Ø 36mm
Shaft loading	≤20 N axial ≤40 N radial
Protection DIN EN 60529	IP 67
Operating speed	≤10000 rpm
Starting torque	≤0.001 Nm (IP 67)
Materials	Housing, Flange : Aluminium Shaft : Stainless steel
Shaft diameter:	6 ( other diameters on request )
Bearings lifetime:	2x10 <sup>9</sup> rev. at 100% of full rated shaft load (minimum)
Operating temperature	-40...+90°C -40 °F ... +180 °F
Weight approx.	250 g

## FNC AS 36E Series

### Mechanical Dimensions

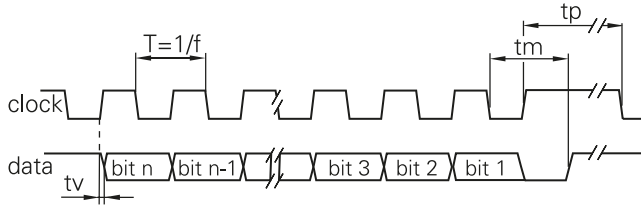


# Absolute encoders - SSI / BiSS

Shaft with clamping or synchro flange  
Single turn 9...19 bit,  
Multi turn 0...32 bit

## FNC AS 36E Series

### Pulse Diagram



Clock frequency, f	50...2000 kHz for SSI up to 10MHz for BiSS
Code	Binary or gray
Status and parity bit	On request
Monoflop time tm	>15µs
Clock time out	Programmable at factory

### Terminal significance

+Vs	Encoder supply voltage.
0 V	Encoder ground connection relating to +Vs.
Data+	Positive data output.
Data-	Negative data output.
Clock+	Positive SSI clock input.
Clock-	Negative SSI clock input.
Direction	UP/DOWN counting direction input. This input is standart on High. UP/DOWN means ascending output data with clock-wise shaft rotation when looking at flange.
Preset	Parameter for setting the encoder to a requested position value assigned to a defined shaft position of the system. The offset of encoder zero point and mechanical zero point is stored in the encoder.
Note	If needed, Include termination resistor R=120 Ohm between Data+ and Data- on control side.

### Cable Connection

Function	Color	Renk
Vcc.	Brown	Kahverengi
GND	White	Beyaz
Clock+	Blue	Mavi
Clock-	Blue-Black	Mavi-Beyaz
Data+	Orange	Turuncu
Data-	Orange-Black	Turuncu-Siyah

### Encoder Part Number

