

FNC 58SC Series



Features

- Industry 58 mm standard size, clamping flange
- Robust mechanical and electrical construction
- Up to 25.000 PPR max.
- <300 kHz frequency

PPR Options :

1 - 128 - 25 - 50 - 100 - 200 - 250 - 300 - 360 - 400 - 500 - 512 - 600 - 720 - 800 - 900 - 1000 - 1024 - 1250 - 1440 - 2000 - 2048 - 2500 - 3000 - 3600 - 4000 - 4096 - 5000 - 6000 - 8192 - 10000 - 12500 - 16384 - 20000 - 25000

Technical data - electrical ratings

Voltage supply	4.75VDC to 30VDC 4.75VDC to 5.5VDC
Protection:	Output short circuit protection. Reverse polarity protection (except 5V version)
Consumption w/o load	≤60 mA (24 VDC)
Resolution (steps/turn)	1...25.000 up to 65536
Reference signal	Zero pulse, width 90° 180°, 360° optional
Optoelectronic life time	100.000 (min)
Output frequency	>200 kHz
Output signals	90° shifted A and B, Z + inverted
Output circuit	Linedriver/RS422 Push-pull short-circuit proof NPN Open Collector
Interference immunity	DIN EN 61000-6-2
Emitted interference	DIN EN 61000-6-4
Approval	CE

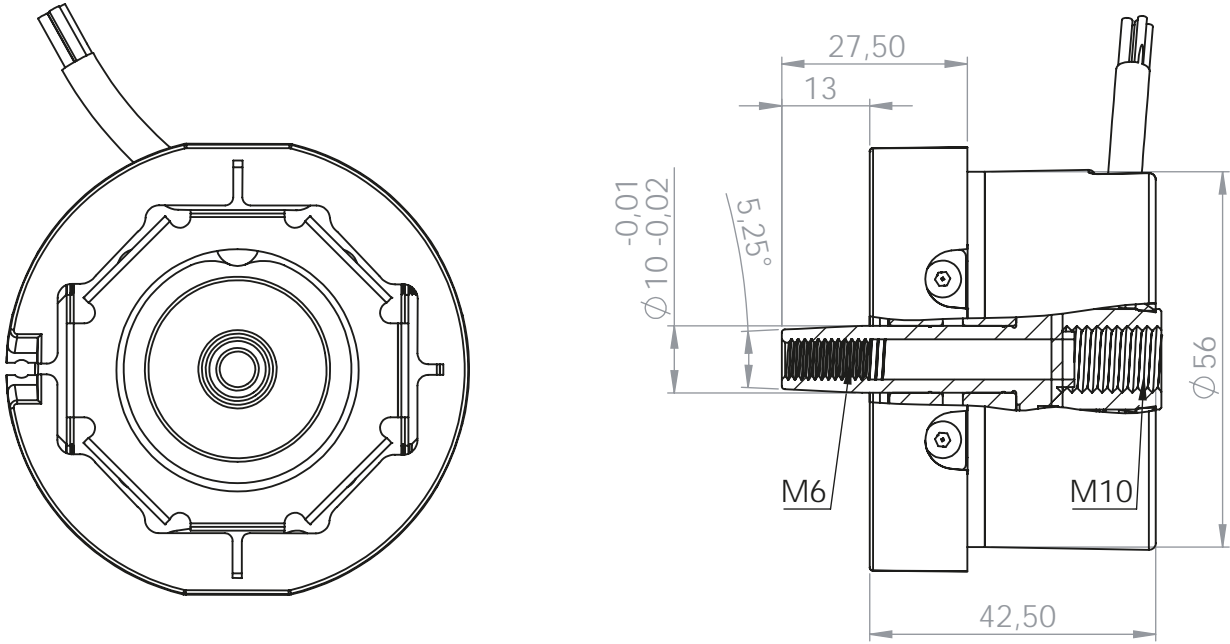
Technical data - mechanical design

Dimensions (flange)	ø58 mm
Shaft loading	≤120 N axial ≤160 N radial
Protection DIN EN 60529	IP54, IP65
Operating speed	≤10000 rpm
Starting torque	≤0.025 Nm
Materials	Housing: Aluminium Flange: Aluminium Shaft : Stainless steel
Shaft diameter:	Conic shaft
Bearings lifetime:	2x10 ⁹ rev. at 100% of full rated shaft load (minimum)
Operating temperature	-20...+85 °C
Storage temperature	-30 °C up to +90 °C
Weight approx.	250 g

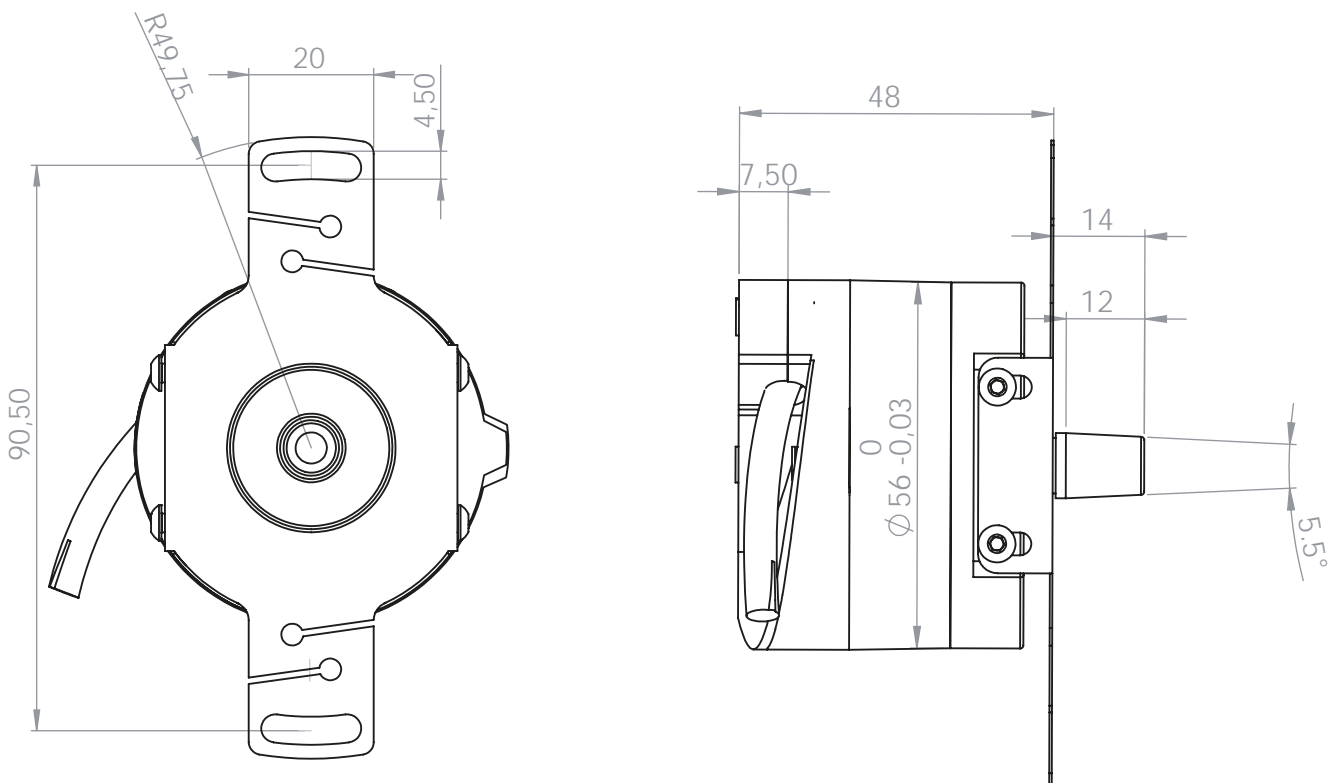
FNC 58SC Series

Mechanical Dimensions

CR spring version



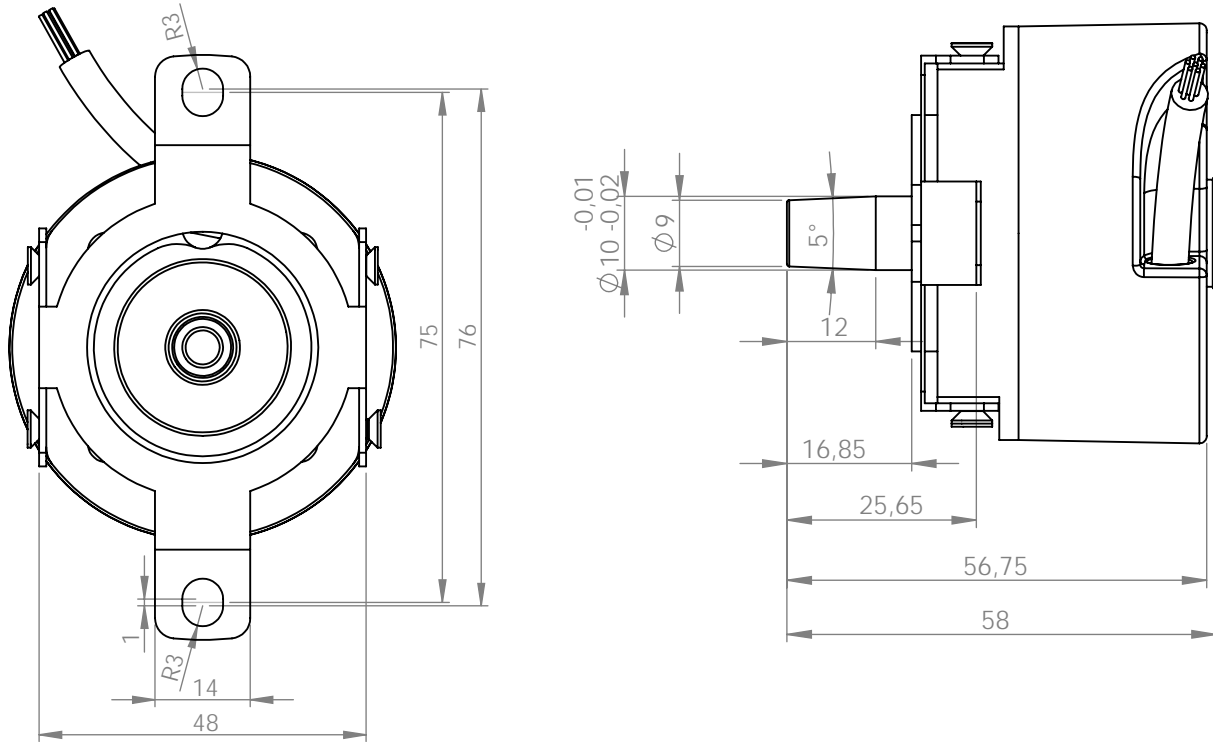
SF spring version



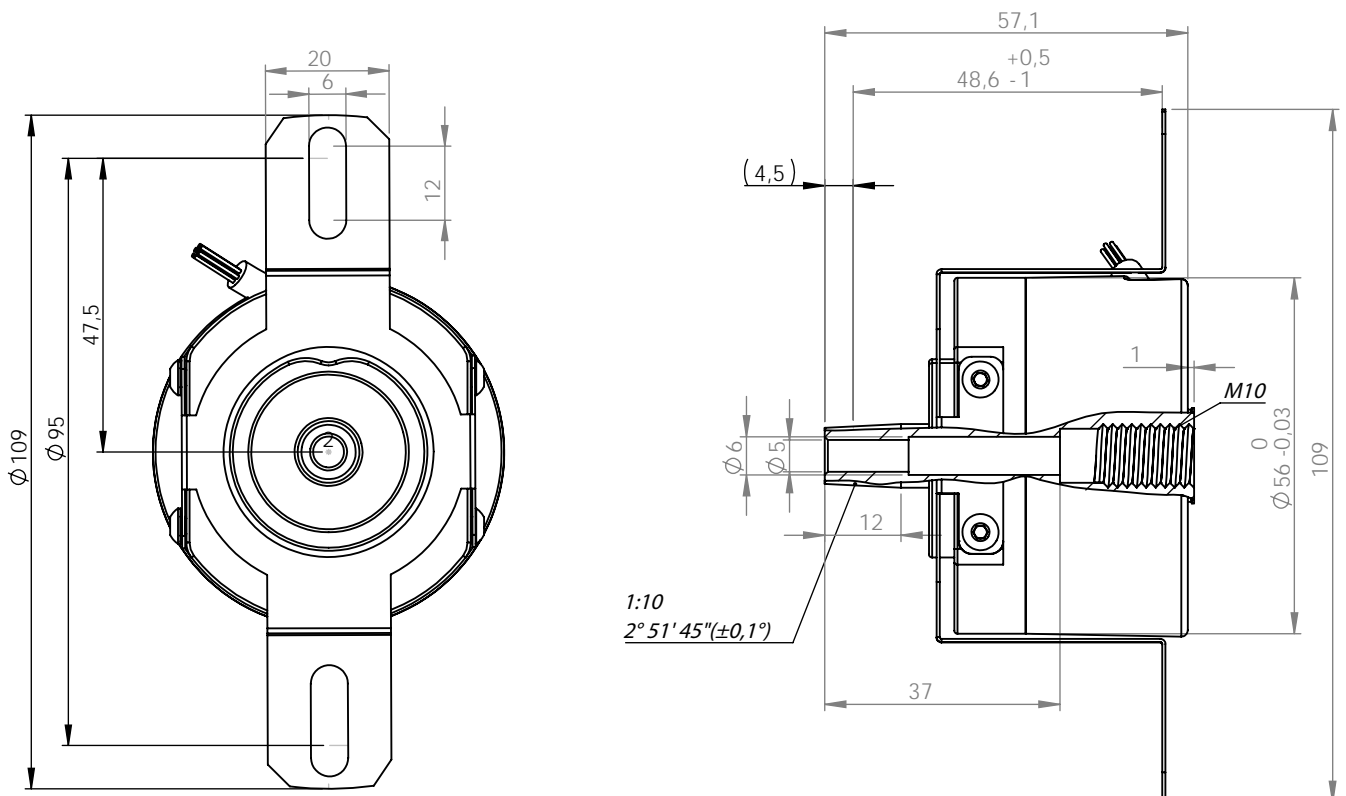
FNC 58SC Series

Mechanical Dimensions

S8 spring version

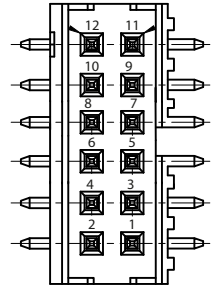


TK spring version

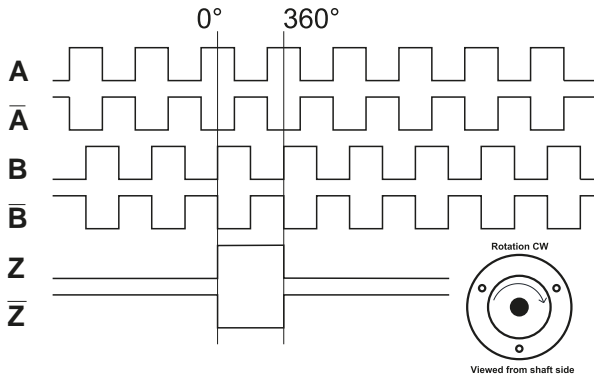


Cable / Connector Wiring

Function	Pin	Color	Renk	Farbe	Цвет	颜色
+VB	pin 9/10	● Brown	Kahve	Braun	Коричневый	棕色的
GND	pin 11/12	○ White	Beyaz	Weiß	Белый	白色的
A	pin 1	● Green	Yeşil	Grün	Зеленый	绿
A'	pin 2	● Red	Kırmızı	Rot	Красный	红色的
B	pin 3	● Yellow	Sarı	Gelb	Желтый	黄色的
B'	pin 4	● Pink	Pembe	Rosa	Розовый	粉色的
Z	pin 5	● Gray	Gri	Grau	Серый	灰色的
Z'	pin 6	● Blue	Mavi	Blau	Синий	蓝色的
Shield		Black	Siyah	Schwarz	Чернить	黑色的



Pulse Diagram



Encoder Part Number

