

Incremental encoders

Resolution 1...65.536 pulses



FNC 50B Series



Features

- Industry 50 mm Standard Size, Clamping Flange
- Robust Mechanical and Electrical Construction
- Protection up to IP67
- Up to 65.536 PPR max.
- <300 kHz frequency
- Optical and magnetic sensing

PPR Options :

1 to 1024 - 25 - 50 - 100 - 200 - 250 - 300 - 360 - 400 - 500 - 512 - 600 - 720 - 800 - 900 - 1000 - 1024 - 1250 - 1440 - 2000 - 2048 - 2500 - 3000 - 3600 - 4000 - 5000 - 8192 - 10.000, up to 65.536 available

Technical data - electrical ratings	
Voltage supply	4.75VDC to 30VDC 4.75VDC to 5.5VDC
Protection:	Output short circuit protection. Reverse polarity protection (except 5V version)
Consumption w/o load	≤60 mA (24 VDC)
Resolution (steps/turn)	1...65.536
Reference signal	Zero pulse, width 90° 180°, 360° optional
Optoelectronic life time	100.000 (min)
Output frequency	>200 kHz
Output signals	90° shifted A and B, Z + inverted
Output circuit	Linedriver/RS422 Push-pull short-circuit proof NPN Open Collector
Interference immunity	DIN EN 61000-6-2
Emitted interference	DIN EN 61000-6-4
Approval	CE

Technical data - mechanical design	
Dimensions (flange)	ø50 mm
Shaft loading	≤60 N axial ≤80 N radial
Protection DIN EN 60529	IP54, IP65
Operating speed	≤10000 rpm
Starting torque	≤0.025 Nm (IP 67)
Materials	Housing: Aluminium Flange: Aluminium Shaft : Stainless steel
Shaft diameter:	6, 8, 10 mm (other diameters on request)
Bearings lifetime:	2x10 ⁹ rev. at 100% of full rated shaft load (minimum)
Operating temperature	-20...+85 °C
Storage temperature	-30 °C up to +90 °C
Weight approx.	150 g

Accessories

Connectors and cables
CRM1208 M12 8 poles female connector or see page 206

Mounting coupling
MK250808 plastic or see page 204

Mounting accessories
SF50 B square flange or see page 202-203

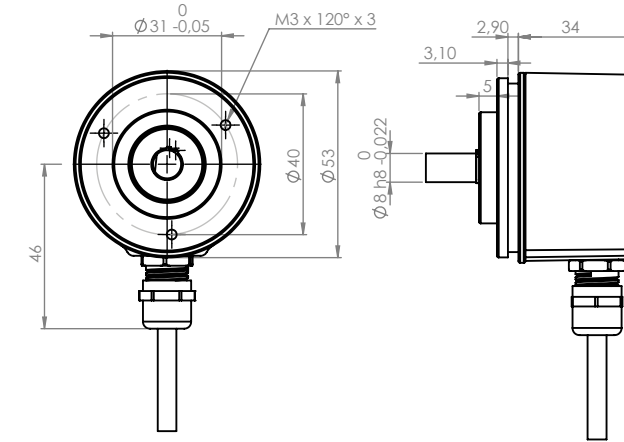
Incremental encoders

Mechanical Dimensions
Cable/Connector Wiring, Part Number

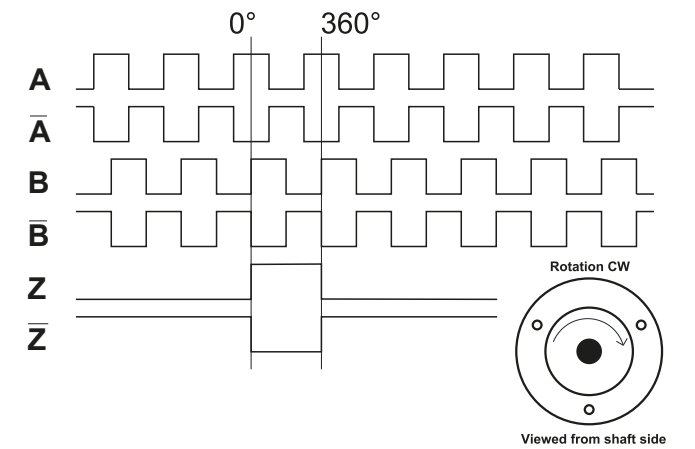
FNC 50B Series



Mechanical Dimensions



Pulse Diagram



Connector Wiring

Connector Type	+Vcc	GND	A	A'	B	B'	Z	Z'	Shield
CRM1204	1	2	3		4				o.r.
CRM1205	1	2	3		4		5		o.r.
CRM1208	1	2	3	6	4	7	5	8	o.r.
CRM1212	1	2	3	6	4	7	5	8	o.r.
CRM1607	1	2	3		4		5		o.r.
CRM1614	Customer Specific								o.r.
CRM2312R	2-12	10-11	5	6	8	1	3	4	o.r.
CRM2312L	2-12	10-11	5	6	8	1	3	4	o.r.

For further information please see page 206

Cable Wiring

Function	Color	Renk	Explanation
+VB	Brown	Kahve	Supply Voltage
GND	White	Beyaz	Ground
A	Green	Yeşil	A Channel
A'	Red	Kırmızı	A Inverted Channel
B	Yellow	Sarı	B Channel
B'	Pink	Pembe	B Inverted Channel
Z	Gray	Gri	Z Channel
Z'	Blue	Mavi	Z Inverted Channel
Shield	Black	Siyah	Shield

Encoder Part Number

