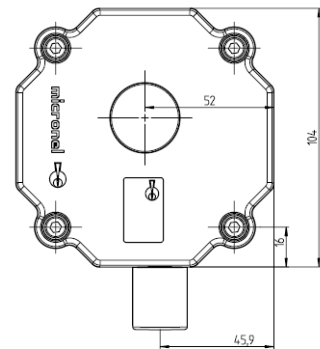
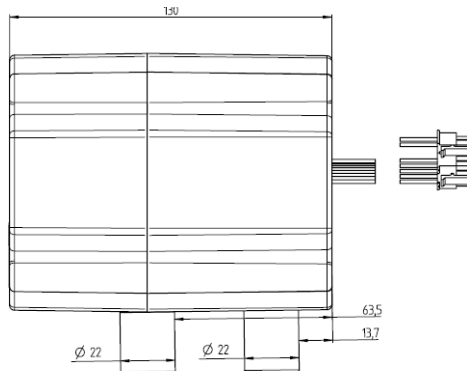
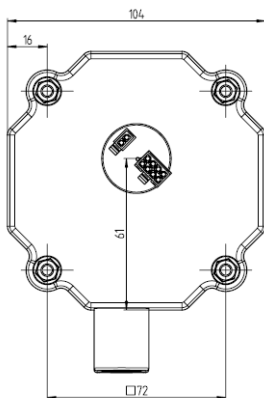
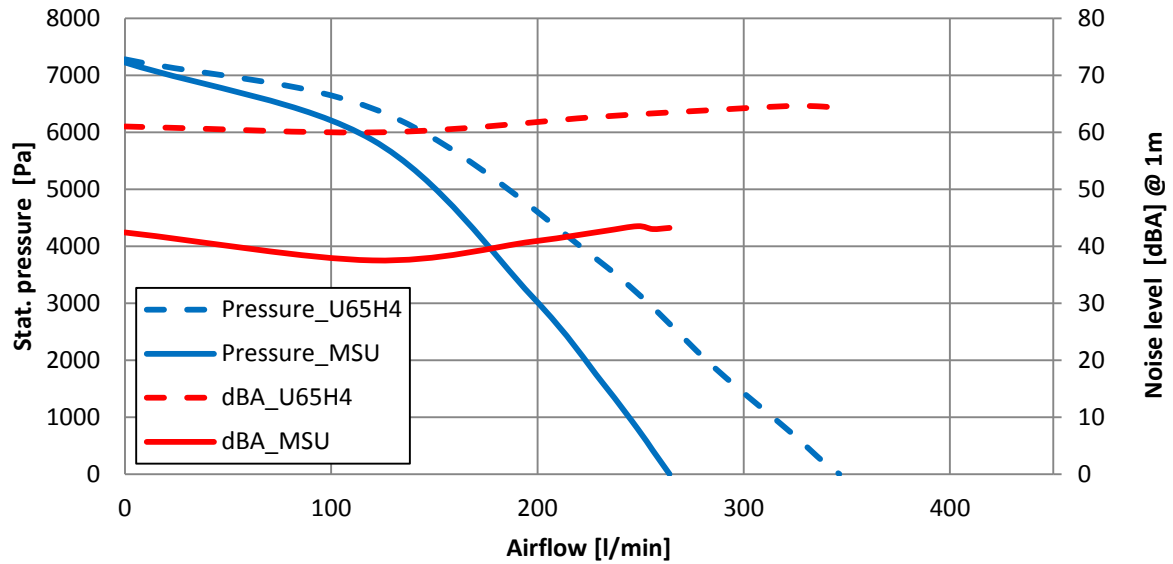


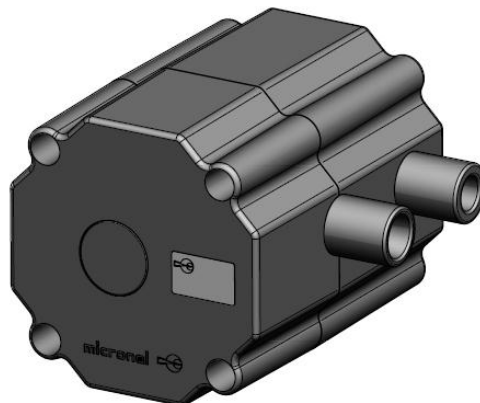
**Schalldämmeinheit mit integriertem Blower U65H4-024KX-6 (Druck)**  
**Silent Unit with integrated Blower U65H4-024KX-6 (Pressure)**



Measured at 18V:



Direction of rotation CCW



## Technische Daten

### Allgemeine Beschreibung

Kompakte Schallschutzeinheit für U65H4-024KX-6  
 Radialgebläse ohne integrierte Elektronik und Einlass- und  
 Auslassanschluss für Medizinalschlauch.

## Technical data

### General Description

Compact silent unit for U65H4-024KX-6 radial blower without  
 integrated driver electronic and intake and outlet connector designed  
 for medical tube.

		Y133X-024K1-5
$U_N$	VDC	18
U	VDC	12.0-22.0
$I_{N \text{ freeblowing}}$	mA	2'440
$I_{N \text{ typ. work. point}}$	mA	1'810
$I_{N \text{ static}}$	mA	930
$P_{N \text{ typ. work point}}$	W	33
$n \text{ freeblowing}$	min <sup>-1</sup>	34'880
$n \text{ typ. work point}$	min <sup>-1</sup>	35'770
$n \text{ static}$	min <sup>-1</sup>	37'150
$V \text{ freeblowing}$	l/min	260
$V \text{ typ. working point}$	l/min	120
$p \text{ work point}$	Pa	5860
$p \text{ static}$	Pa	7220
$LpA_{(WP)}$	dB(A)	37.5 dB(A) at working point and 1m distance
$MTTF_{(WP)}$	Hr	10'000 / 45°C
T	°C	-20...+50
m	gr	726
Leads	mm	300 (AWG24)

Data's at Density 1.2 kg/m<sup>3</sup>

## Operating Instruction and Warning

Y133X-024K1-5				
Electrical connection	AWG	PIN	Description	Colour
	AWG24	1	Hall Sensor 1	Blue
	AWG24	2	Hall Sensor 2	Black
	AWG24	3	Vhall 4.5 ..24VDC	Yellow
	AWG24	4	Motorwinding 3	Orange
	AWG24	5	NTC sensor	White
	AWG24	6	Hall Sensor 3	Grey
	AWG24	7	GND	Green
	AWG24	8	Motorwinding 1	Brown
	AWG24	9	Motorwinding 2	Red
	AWG24	10	NTC sensor	White

### Blower limits during continuous operation and warning



-Min. allowed NTC resistance	1050 Ohm
-Maximum speed	45'000 1/min
-NTC temperature increase at 18V, freeblowing	2K
-NTC temperature increase at 18V, static pressure	TBD
<b>-Handle only in currentless condition</b>	

### Power supply requirements

Ripple voltage < 5%  
**5000 mA**

### Info

**Specifications are subject to change without notice.  
 Specifications on this Factsheet are for reference.**

Released: 14.11.2014 / RA

Doc.: Y133X-024K1-5\_integrated\_U65H4.doc