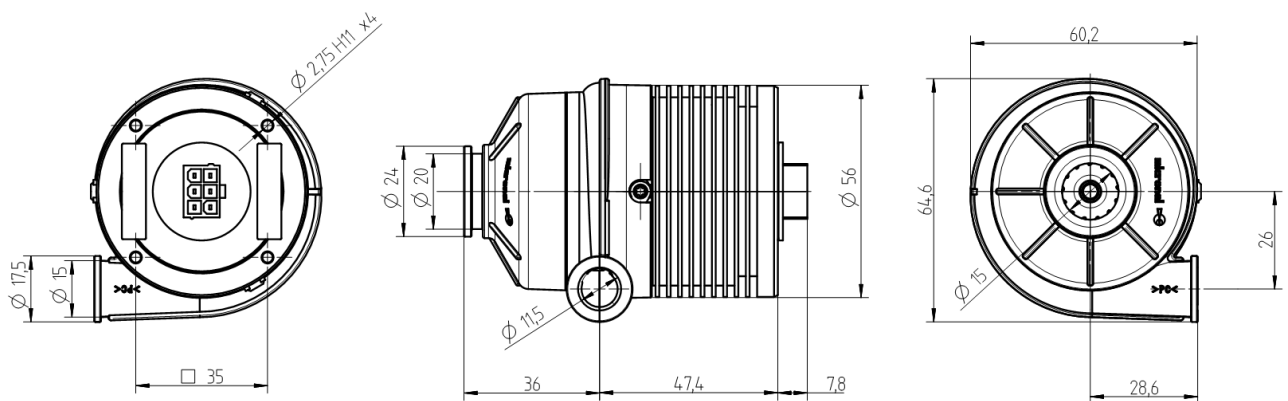
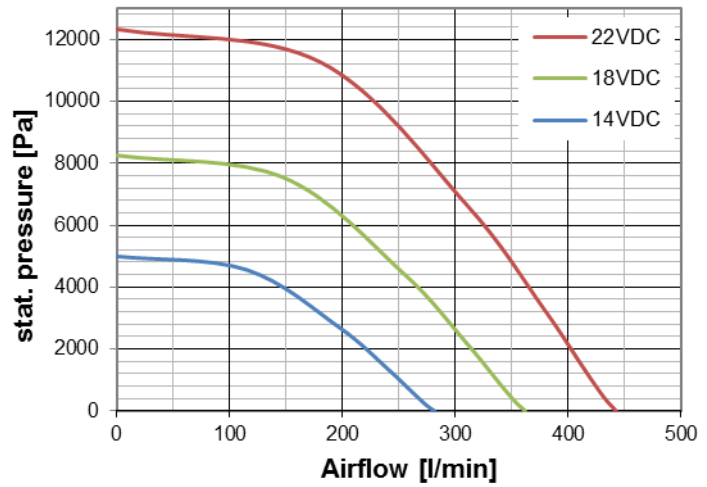
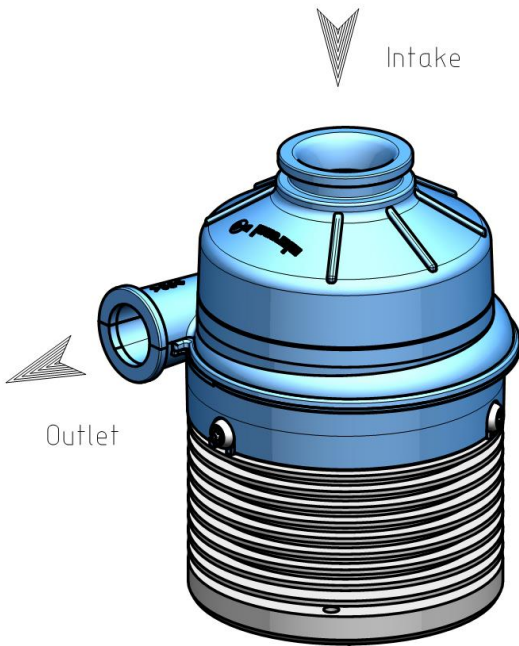



Miniatur Radial Gebläse mit integrierter Elektronik
Miniature Radial Blower with integrated electronic



Direction of rotation CCW 

Technische Daten

Allgemeine Beschreibung

Kompakter Lüfter mit effizientem Motor. Eigenschaften: Gehäuse: PC, Flügelrad: PA. Bürstenloser und sensorloser 3-Phasen Motor mit integrierter Treiber Elektronik. Anschluss über MOLEX-Stecker.

Technical data

General description

Compact blower with an efficient motor. Features: housing: PC, impeller: PA. Brushless and sensorless 3-Phase motor with integrated driver electronic. Connection via MOLEX-connector.

		U65M2-024KX-4
U_N	VDC	18
U	VDC	14 - 22
I_N freeblowing	mA	3'200
I_N typ. work. point	mA	2'300
I_N static	mA	1'700
P_N typ. work. point	W	45
n freeblowing	min ⁻¹	37'500
n typ. work. point	min ⁻¹	39'000
n static	min ⁻¹	39'000
V freeblowing	l/min	360
V typ. work. point	l/min	150
p work. point	Pa	7'500
p static	Pa	8'300
LpA (WP)	dB(A)	-
T	°C	-20...+45
m	gr	400
Housing material		PC
Impeller material		PA6
Sleeve Bearing		N/A
Ball Bearing		•
Tacho		•
Speed control SP		•
NTC		NTCG164KF104F TDK


Data's at Density: 1.2kg/m³

Operating Instruction and Warning

U65M2-024KX-4

Electrical connection

Connector type: MOLEX 46015-0603

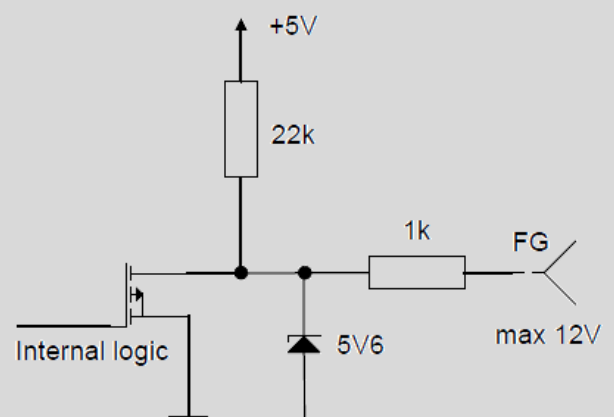
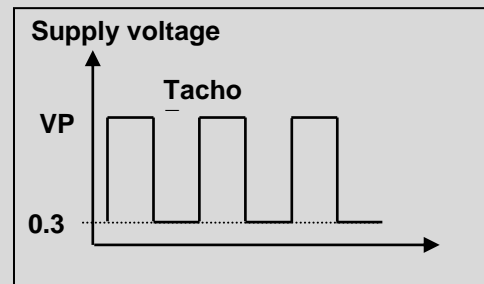
PIN	Description			
1	GND	3		6
2	Frequency	2		5
3	NTC	1		4
4	Vcc + Power			
5	Set Speed			
6	NTC			

Blower Features

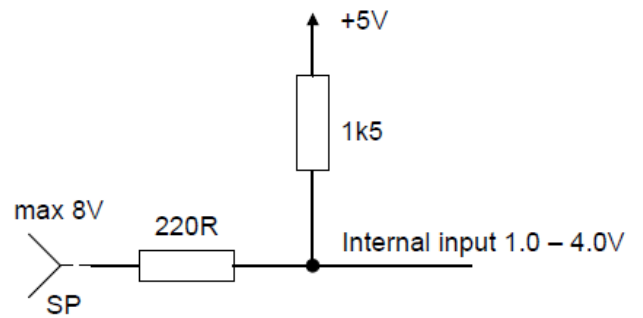
- Integrated speed control input
- FG frequency signal output
- ON / OFF control by logic signal
- Locked rotor protection
- ESD Protection 16 kV
- Polarity protection

FG Frequency signal (yellow wire)

Speed calculation $f * 20 = \text{rpm (3 pulse / rotation)}$
 $f = \text{FG Frequency Generator [Hz]}$
 $\text{rpm} = \text{Rotation speed [min-1]}$



**SP Set speed
 (green wire)**



Input voltage 0.0-1.0 VDC → Stop
 1.0-4.0 VDC → to be defined
 4.0-5.0 VDC → to be defined

SP not connected Blower operates at 100% Speed
 SP to GND Speed zero → Stop

Blower limits	- Max. allowed temperature on heat sink surface:	65° C
	- Maximum speed	45'000 1/min

Power supply requirement	Ripple voltage < 5%
	4000 mA

Info	Specifications are subject to change without notice. Specifications on this Datasheet are for reference.
	Version: 23.10.2014 / CP
	Doc: U65M2-024KX-4 with integrated electronics.doc