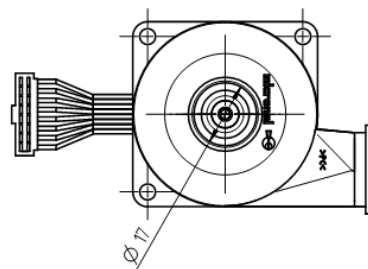
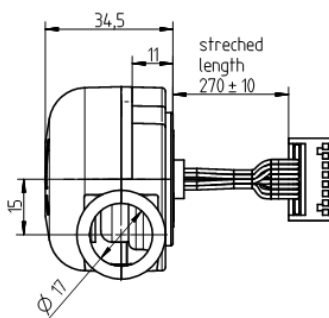
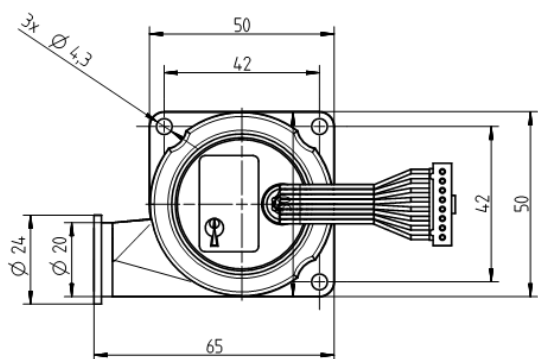
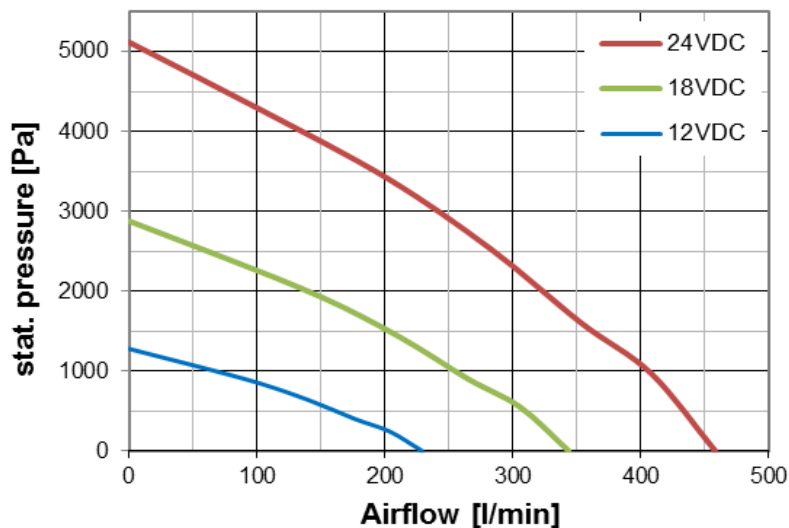
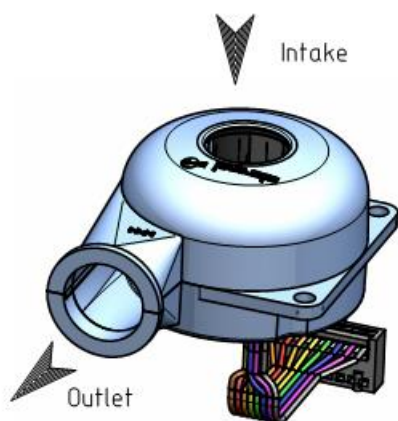


Miniatur Radial Gebläse ohne integrierter Elektronik
Miniature Radial Blower without integrated electronic



Direction of rotation CCW



Technische Daten

Allgemeine Beschreibung

Kompakter Lüfter mit effizientem Motor. Eigenschaften: Material: Gehäuse: PC, Flügelrad: PA. Bürstenloser 3-Phasen Motor ohne integrierter Treiber Elektronik.

Technical data

General description

Compact blower with an efficient motor. Features: Material: housing: PC, impeller: PA. Brushless 3-Phase motor without integrated driver electronic.

		U51DX-024KK-5
U_N	VDC	24
U	VDC	12.0-24.0
I_N freeblowing	mA	1'500
I_N typ. work. point	mA	1'400
I_N static	mA	700
P_N typ. work. point	W	34
n freeblowing	min ⁻¹	42'200
n typ. work. point	min ⁻¹	42'300
n static	min ⁻¹	49'600
V freeblowing	l/min	460
V typ. work. point	l/min	280
p work. point	Pa	2'500
p static	Pa	5'100
$LpA_{(WP)}$	dB(A)	62 dB(A) at 1'000 Pa (10 mbar) and 1m distance
T	°C	-20...+40
m	gr	90
Leads	mm	270 (AWG24)
Housing material		PC
Impeller material		PA6
Sleeve Bearing		N/A
Ball Bearing		•
Tacho		•
Speed control SP		N/A

Data's at Density: 1.2kg/m³

Operating Instruction and Warning

U51DX-024KK-5

Electrical connection

Connector type: Stocko MKF 13268-6-0-808

AWG	PIN	Description	Colour
24	1	Motorwinding 1	Brown
24	2	Motorwinding 2	Red
24	3	Motorwinding 3	Orange
24	4	Vhall 4.5...18VDC	Yellow
24	5	GND	Green
24	6	Hall sensor 1	Blue
24	7	Hall sensor 2	Violet
24	8	Hall sensor 3	Grey

Blower limits during continuous operation and warning

- Max. allowed temperature on motor surface: 65° C
- Maximum speed 45'000 1/min

- Handle only in currentless condition



Power supply requirement

Ripple voltage < 5%
 2000 mA

Info

**Specifications are subject to change without notice.
 Specifications on this Datasheet are for reference.**

Version: 08.04.2014 CP

Doc: U51DX-024KK-5 without integrated electronics.doc