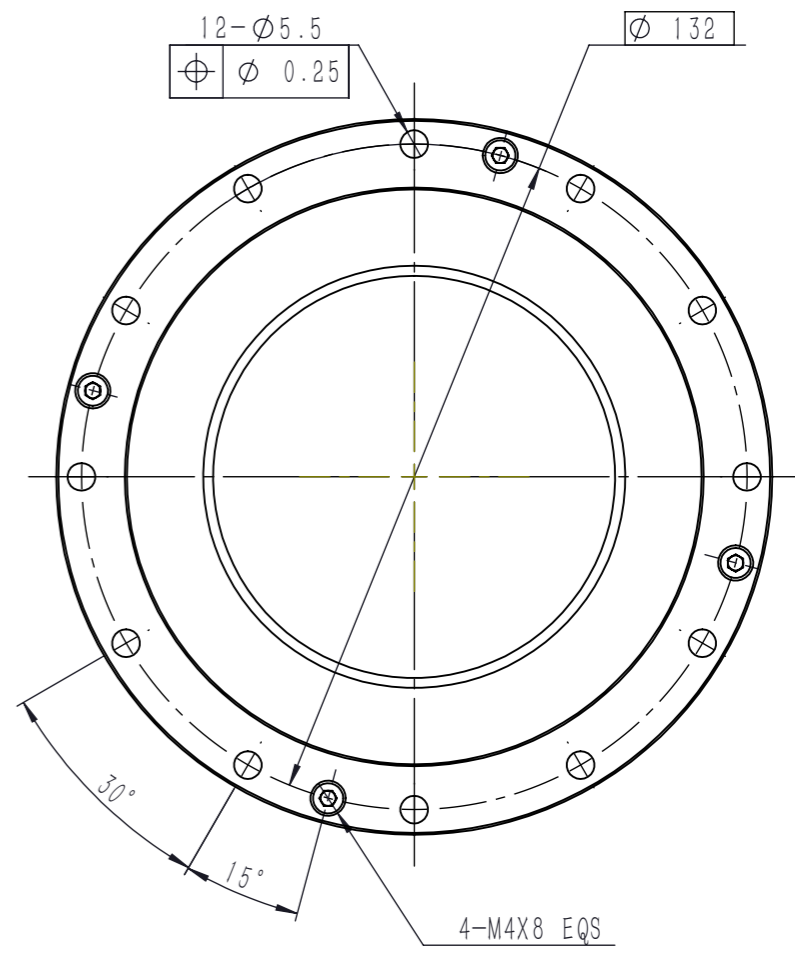
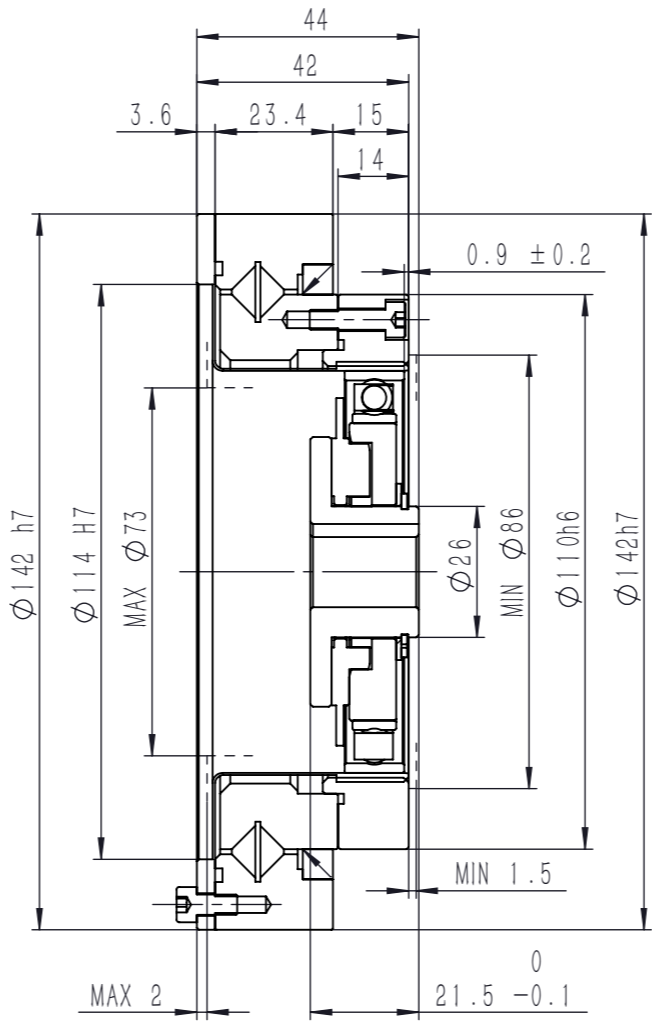
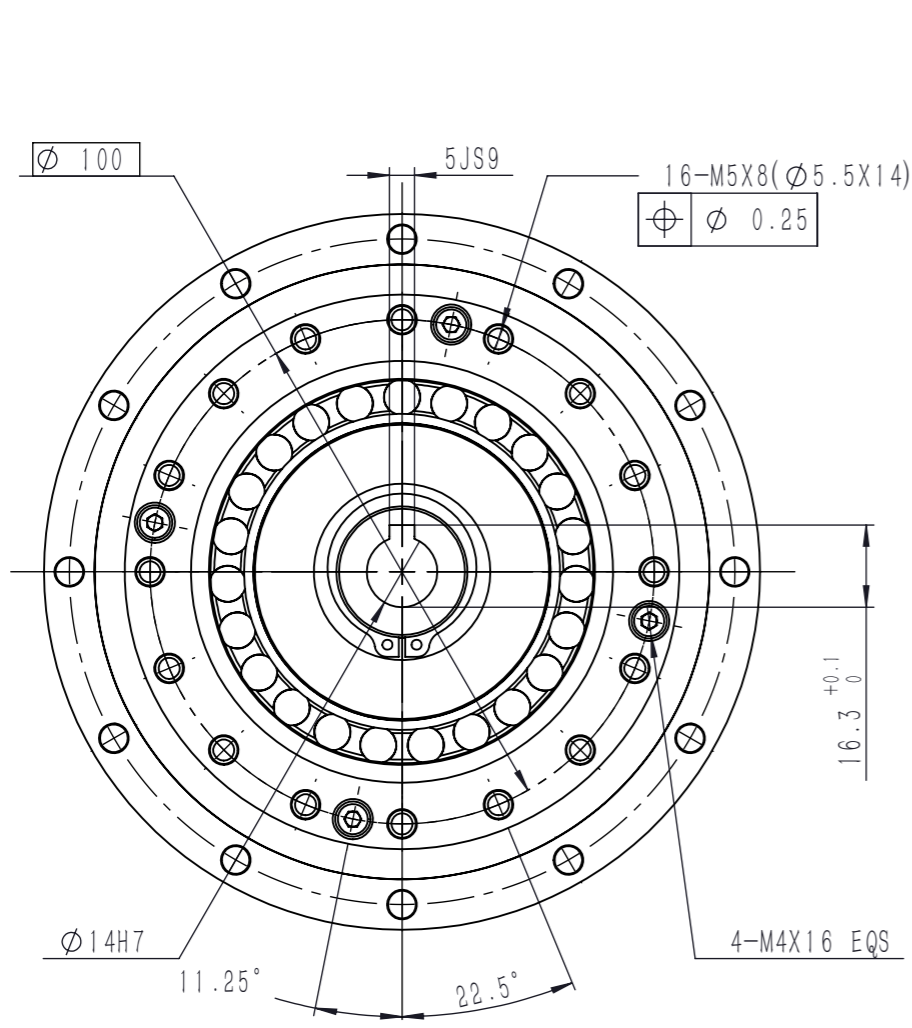


1 2 3 4 5 6 7 8

A
B
C
D
E
F



Specification :

Model	Reduction ratio	Rated torque at input 2000r/min (Nm)	Permissible peak torque at start/stop (Nm)	Permissible max. value of ave. load torque (Nm)	Instantaneous permissible max. torque (Nm)	Permissible max. input rotational speed (r/min)	Permissible ave. input rotational speed (r/min)	Back clearance (arc sec)	Transmission accuracy (arc sec)
								\leq	\leq
32	50	89	253	126	448	4500	3500	20	60

HMHS-32-50-11



1 2 3 4 5 6 7 8 A3