

1 2 3 4 5 6 7 8

A

B

C

D

E

F

A

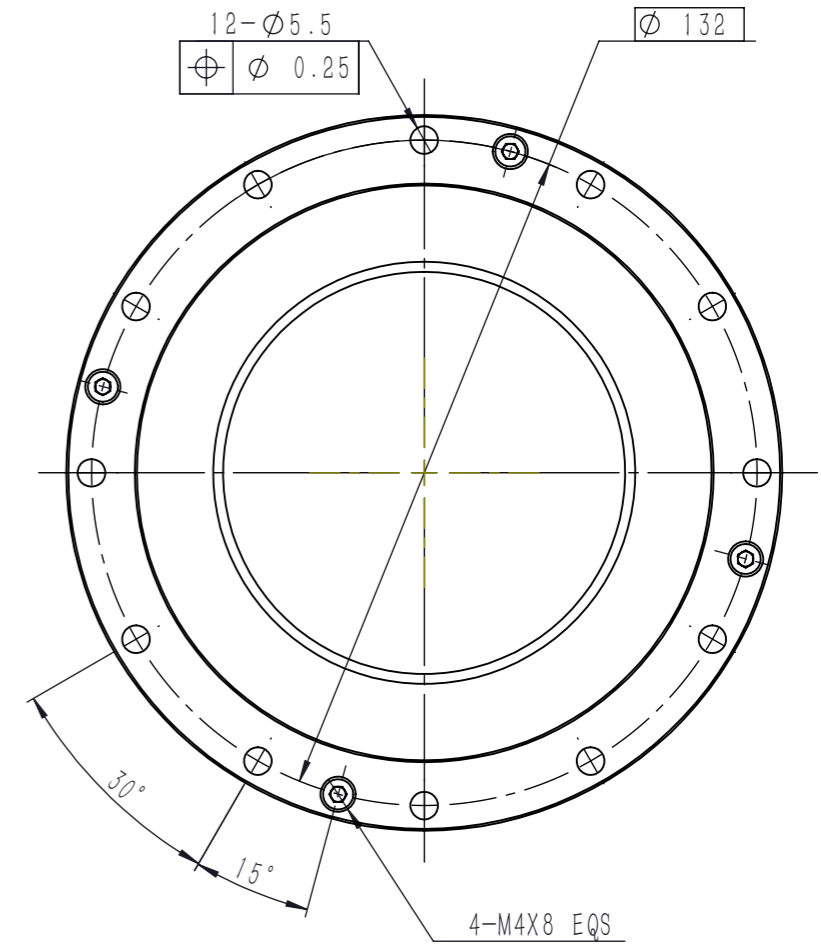
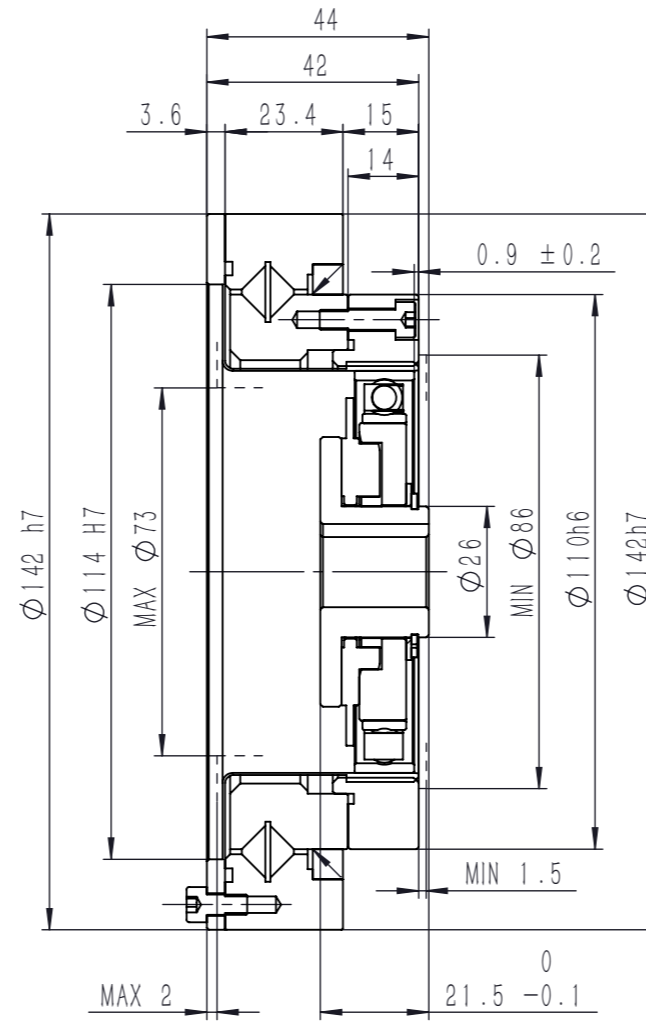
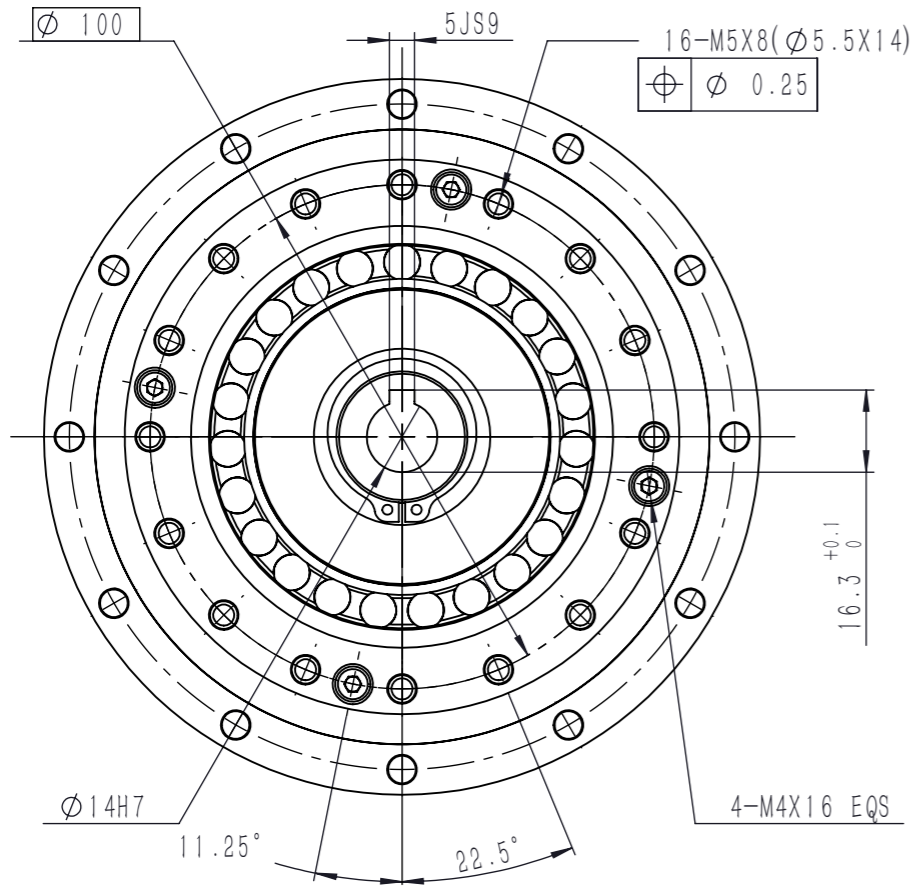
B

C

D

E

F



Specification :

| Model | Reduction ratio | Rated torque at input 200r/min (Nm) | Permissible peak torque at start/stop (Nm) | Permissible max. value of ave. load torque (Nm) | Instantaneous permissible max. torque (Nm) | Permissible max. input rotational speed (r/min) | Permissible ave. input rotational speed (r/min) | Back clearance (arc sec) | Transmission accuracy (arc sec) |
|-------|-----------------|-------------------------------------|--|---|--|---|---|--------------------------|---------------------------------|
| | | | | | | | | ≤ | ≤ |
| 32 | 100 | 160 | 390 | 253 | 757 | 4500 | 3500 | 10 | 60 |

HMHS-32-100-II



1 2 3 4 5 6 7 8 A3