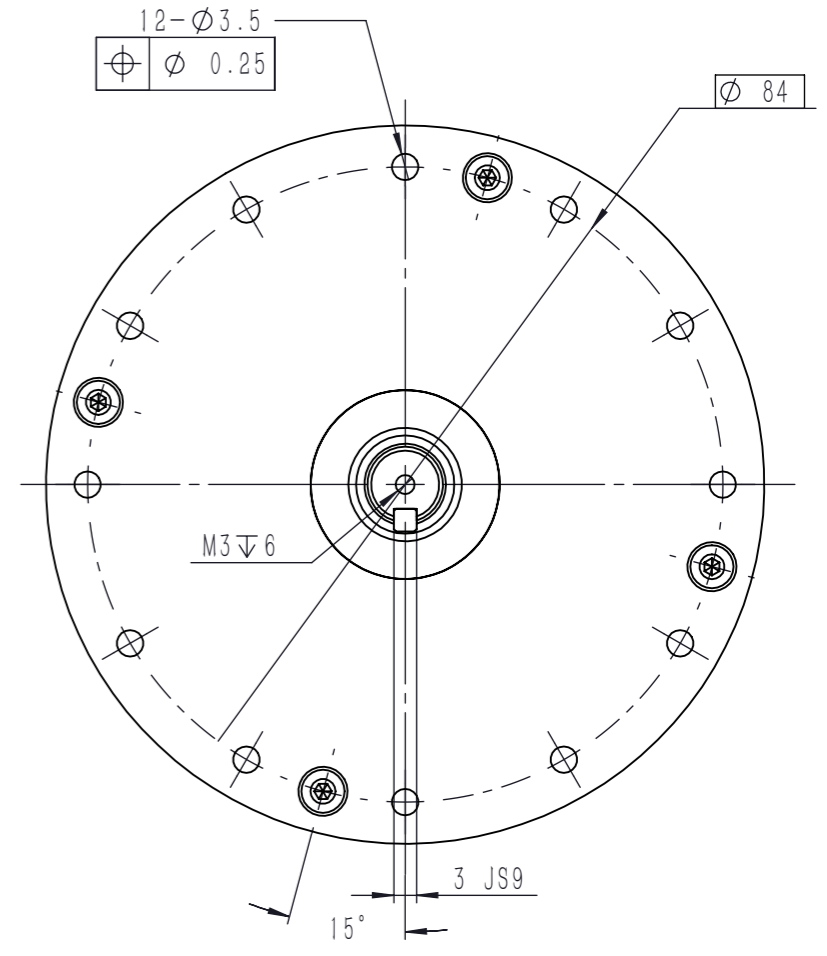
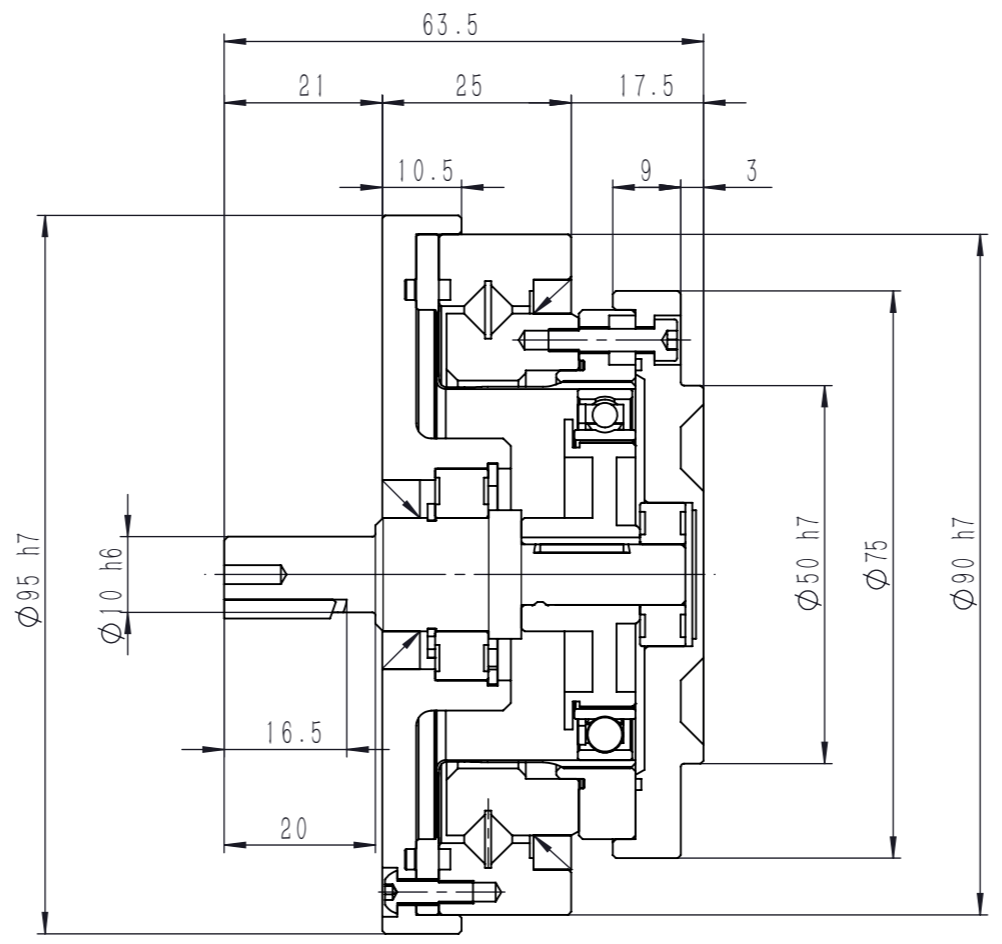
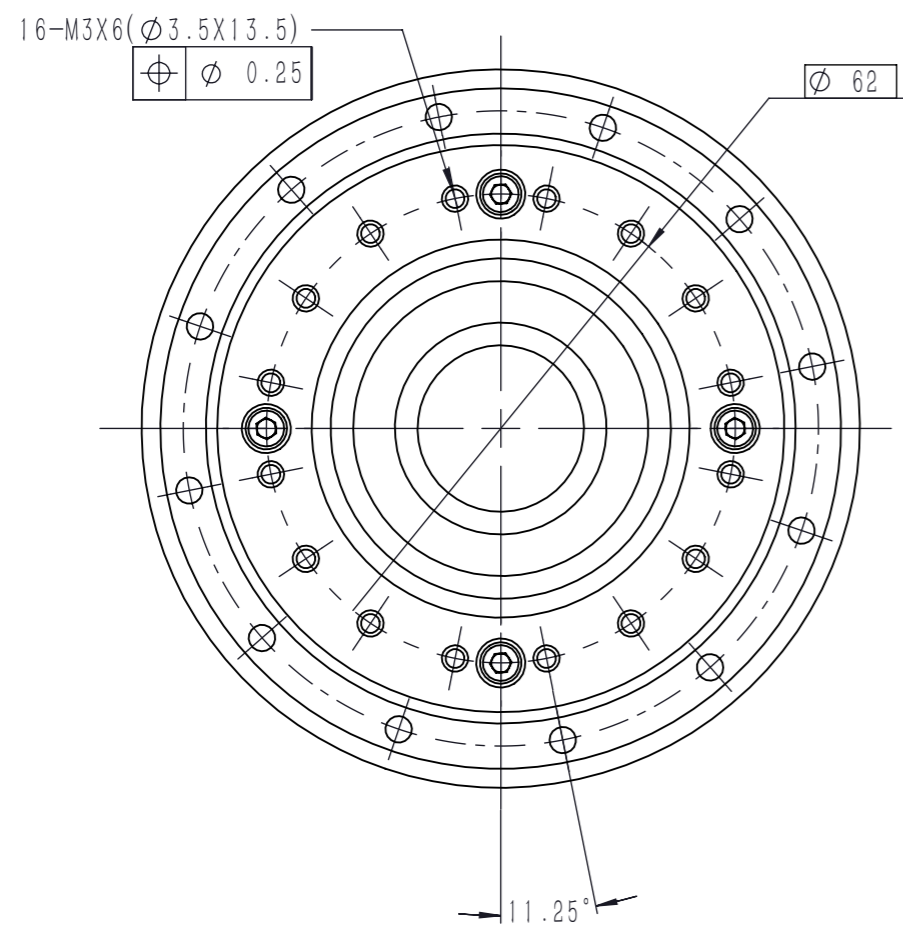


1 2 3 4 5 6 7 8

A  
B  
C  
D  
E  
F



Specification :

Model	Reduction ratio	Rated torque at input 200r/min (Nm)	Permissible peak torque at start/stop (Nm)	Permissible max. value of ave. load torque (Nm)	Instantaneous permissible max. torque (Nm)	Permissible max. input rotational speed (r/min)	Permissible ave. input rotational speed (r/min)	Back clearance (arc sec)	Transmission accuracy (arc sec)
								≤	≤
20	120	47	102	58	172	6000	3500	10	60

HMHS-20-120-IV  
 Han's Motion

1 2 3 4 5 6 7 8

A3