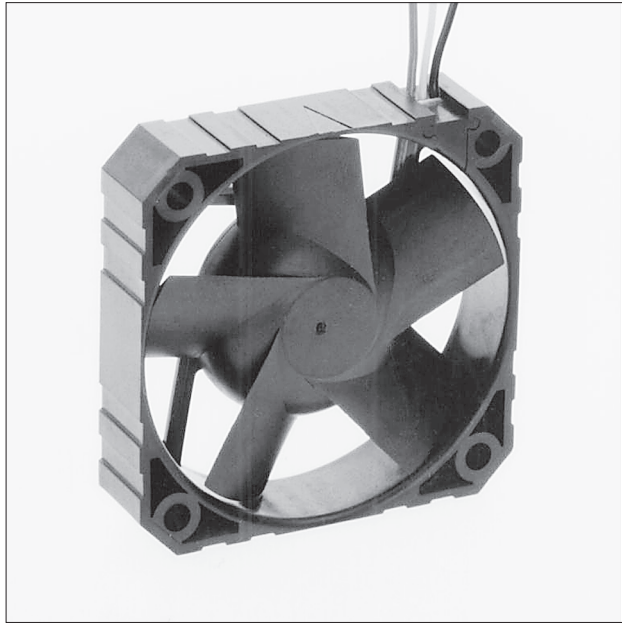


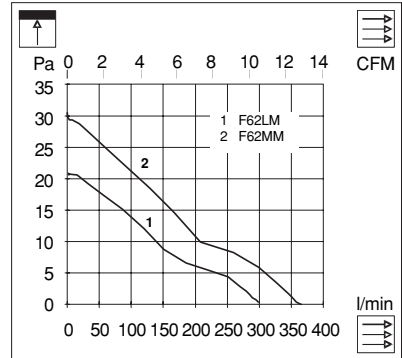


Flachl fter
Ultra Slim Fans
Ventilateurs Ultra Plats

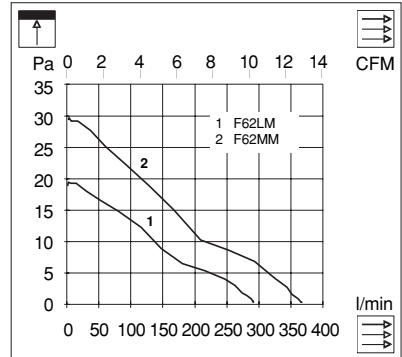
Lite version



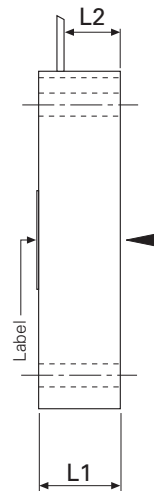
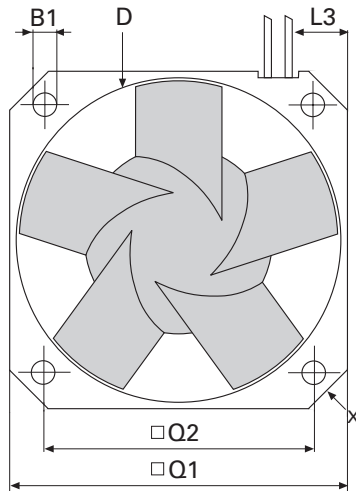
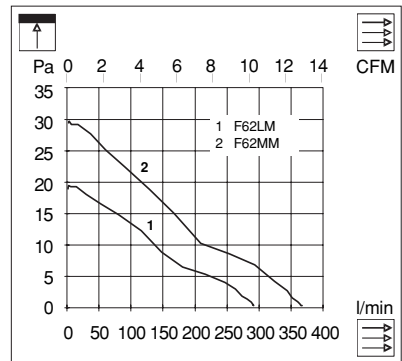
F62 LM/MM-9 5 V DC




F62 LM/MM-9 12 V DC



F62 LM/MM-9 24 V DC



| F62 | mm | inch |
|------------------|-----------------------------------|-------|
| B1 \varnothing | 4.3 | 0.170 |
| D \varnothing | 59.4 | 2.340 |
| L1 | 15 ^{+0.2} _{0.0} | 0.590 |
| L2 | 9 | 0.354 |
| L3 | 12 | 0.472 |
| Q1 \square | 62 \pm 0.2 | 2.440 |
| Q2 \square | 50 \pm 0.2 | 1.968 |
| X | 4 x 45 $^\circ$ | 0.160 |

| Lite version | | | F62 LM / F62 MM | | F62 LM / F62 MM | | F62 LM / F62 MM | |
|-------------------------------------------------------------------------------------|-----------------------|-------------------|---------------------------|-------|---------------------------|-------|---------------------------|-------|
|  | U _N | V | 5 | | 12 | | 24 | |
|  | U | V | 4.5-5.5 | | 10.8-13.8 | | 15.6-27.6 | |
|  | I _{max} | mA | 140 | 200 | 70 | 90 | 40 | 50 |
|  | I _{block} | mA | 200 | 280 | 100 | 160 | 60 | 100 |
|  | P _N | W | 0.65 | 1.90 | 0.84 | 1.08 | 0.96 | 1.20 |
|  | n | min ⁻¹ | 2'900 | 3'600 | 2'900 | 3'600 | 2'900 | 3'600 |
|  | ṽ | l/min | 290 | 360 | 290 | 360 | 290 | 360 |
|  | p | Pa | 21 | 29 | 21 | 29 | 21 | 29 |
|  | LpA | dB(A) | 20 | 27 | 20 | 27 | 20 | 27 |
|  | MTTF | hr | 30'000 /60°C | | 30'000 /60°C | | 30'000 /60°C | |
|  | T | °C/°F | -20 ... +75 / -4 ... +193 | | -20 ... +75 / -4 ... +193 | | -20 ... +75 / -4 ... +193 | |
|  | m | gr/oz. | 40 / 1.6 | | 40 / 1.6 | | 40 / 1.6 | |
|  | Lead Length | mm | 300 ± 20(AWG 26) | | 300 ± 20(AWG 26) | | 300 ± 20(AWG 26) | |
|  | Housing Material | | ABS/PBT | | ABS/PBT | | ABS/PBT | |
|  | Sleeve Bearing | | ● | | ● | | ● | |
|  | Ball Bearing | | - | | - | | - | |
|  | Tacho Signal | | - | | - | | - | |
|  | Flat Finger Guard | | optional | | optional | | optional | |
|  | Circular Finger Guard | | optional | | optional | | optional | |
|  | Quick Mount | | optional | | optional | | optional | |

Standards

- CE-Zulassung
- Motorwicklung nach Isolationsklasse E
- Schutz bei blockiertem Rotor
- Isolationswiderstand min. 10 MΩ bei 500 V DC
- Kriechstromfestigkeit max. 1 mA bei 600 V AC
- Standard Luftdichte μ=1,2 kg/m³

Standards

- CE Conformity
- Coils to insulation class E
- Locked rotor protection
- Insulation resistance min. 10 MΩ at 500 V DC
- Dielectric strength max. 1 mA bei 600 V AC
- Standard air density μ=1,2 kg/m³

Standards

- Certificat CE
- Bobinage selon la classe d'isolation E
- Protection en cas de blocage du rotor
- Résistance d'isolement min. 10 MΩ sous 500 V DC
- Résistance au courant de fuite: max. 1 mA sous 600 V AC
- Standard air densité μ=1,2 kg/m³

Umrechnung von Masseinheiten
Conversion of Measuring units
Conversion des unités de mesure

1 mbar = 10.197 mm H₂O = 100 Pa
1 Pa = 10⁻² mbar = 0.10197 mm H₂O
1 hPa = 1 mbar; 1 mm H₂O = 0.04 inch H₂O
1 l/min = 0.0353 CFM; 1 CFM = 28.3 l/min