



Tri-axial MEMS Gyros

BS-GU6-M-D3EW

MEMS Inertial Devices and Systems

- ◇ Based on MEMS Process
- ◇ Digital Gyros & Accelerometers
- ◇ High Speed Processor Embedded
- ◇ Compensation & Calibration
- ◇ Low Power, Extra-small Size
- ◇ Robust for Vibration & Shock

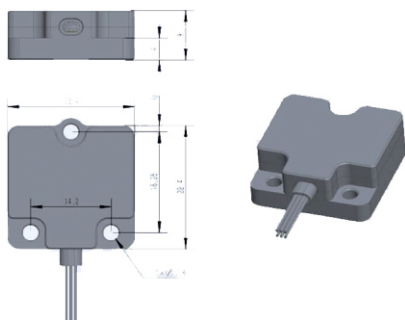
| | Parameter | BS-GU6-M-D3EW |
|--------------------|--|------------------------------|
| Gyro Performance | Range | ±450 °/s |
| | Bias (Full Temp.) | ≤150 °/h |
| | Bias Stability(1σ, 10s on average) | ≤20 °/h |
| | Bias Repeatability | ≤15 °/h |
| | Nonlinearity | ≤50 ppm |
| | Misalignment Error Axis to Axis, 1σ | 15' |
| | Linear Acceleration Effect Any direction, 1σ | 0.01°/s/g |
| | -3 dB Bandwidth | 150 Hz(10~250 Hz Adjustable) |
| System Performance | Output Data Rate | 1000 Hz |
| | Weight | ≤30 g |
| | Size | 22.4 mm × 22.4 mm × 9 mm |
| | Supply Voltage | 5±0.3 V |
| | Power Consumption | 0.15 W |
| | Shock Resistance | ≥2000 g |
| | Vibration Level | ≥20 g rms |
| | Operating Temp. | -45°C~+85°C |
| | Storing Temp. | -55°C~+105°C |

All values are typical at +23°C±2°C, -40°C,+85°C measured, unless otherwise statement.

◇ Applications

Integrated Navigation Systems & Inertial Guidance Systems
 Flight Control & Guidance Systems
 Attitude Heading Reference Systems (AHRS)
 Stabilization of Antennas, Cameras & Platforms

◇ Structure (unit:mm)



Top view

| Color | Definition | Note |
|--------|------------|-------------------|
| Red | VCC(+5V) | Power |
| Black | VGND | Power Ground |
| White | Rx+ | Receive Positive |
| Brown | Rx- | Receive Negative |
| Green | Tx- | Transmit Negative |
| Yellow | Tx+ | Transmit Positive |

Definition