

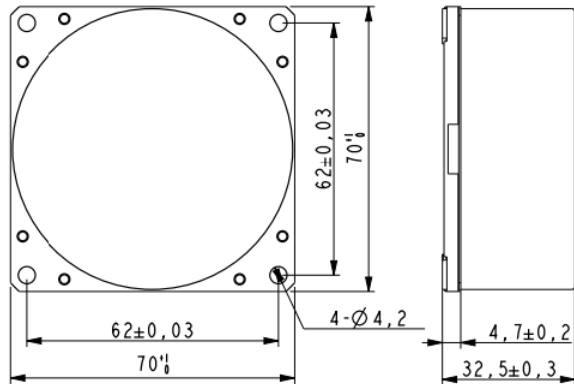
BS-FU25 Type single axis fiber Gyro



F60 GYRO FEATURES

Lowcost FOG
All-fiber design -long lifespan,
Mini dimensions
High stability
More resistance to interference.

- Servo tracking, medium precision ins, platform stability
- High-speed rail track detection, photoelectric pod, moving pass, drone



Project	unit	FU25A	FU25B	FU25C	FU25D
Measuring range	°/s	-800~+800			
Zero offset stability	°/h	≤ 0.06	≤ 0.1	≤ 0.3	≤ 1.5
Zero bias repeatability	°/h	≤ 0.06	≤ 0.1	≤ 0.3	≤ 1.5
Random walk coefficient	°/√h	≤ 0.006	≤ 0.01	≤ 0.03	≤ 0.5
Scale factorNonlinear	ppm	≤ 50	≤ 60	≤ 70	≤ 150
Scale factorRepeatability	ppm	≤ 50	≤ 60	≤ 70	≤ 150
Scale factorAsymmetry	ppm	≤ 50	≤ 60	≤ 70	≤ 150
Start Time	s	≤ 1			
bandwidth	Hz	> 200			
power supply	V	-5,+5			
power	W	≤ 6			
Operating temperature	°C	-40~+65			
storage temperature	°C	-45~+85			
vibration	Hz g ² /Hz	20 ~ 2000,0.06			
Shock	g, ms	30,11			
Data refresh rate	Hz	200~2000			
Baud rate	bps	115200~921600			
outputmethod	/	Broadcast (default) / triggered (custom)			
Interface level	/	RS-422			
Connector	/	J30J-15TJL			
shape size	mm	Φ60×32			