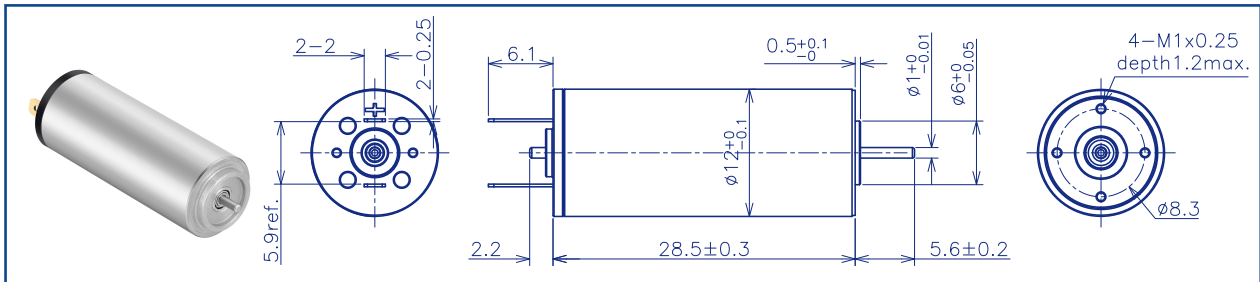


AM-CL1228MAE SERIES

DC BRUSHED MOTOR



Motor Model		Precious metal brush			Ball bearings		
		0309	0409	0609	0909	1209	1809
Nominal voltage	V	3	4.5	6	9	12	18
No load speed	±12% rpm	8710	8720	8710	8720	8710	8710
No load current	Max 150% mA	30	20	15	10	7.8	5.0
Recommend limit for continuous operating	Max cont. torque	mN.m	2.68	4.0	3.8	4.0	3.8
	Rated speed	rpm	6130	5540	5440	5650	5460
	Rated current	mA	910	841	606	427	300
	Rated power	W	2.2	3.1	2.9	4.2	2.9
Starting current	mA	3000	2300	1500	1200	820	540
Stall torque	mN.m	9.8	11.0	10.0	11.0	10.0	10.0
Maximum power output	W	3.3	6.0	4.4	6.3	4.4	4.4
Maximum efficiency	%	81	82	82	83	82	82
Terminal resistance	±12% Ω	0.9	1.9	3.5	7.1	14.3	33.0
Inductance	(1KHZ) mH	0.03	0.07	0.12	0.28	0.5	1.1
Mechanical time constant	ms	4.55	4.43	4.4	4.37	4.38	4.3
Moment of inertia	gcm ²	0.484	0.533	0.496	0.559	0.498	0.495
Torque constant	mN.m/A	3.22	4.83	6.44	9.66	12.9	19.3
Speed constant	rpm/V	2970	1980	1480	989	741	494
Speed/ torque gradient	rpm/mN.m	898	793	846	746	839	848
Weight	g	16	16	16	16	16	16

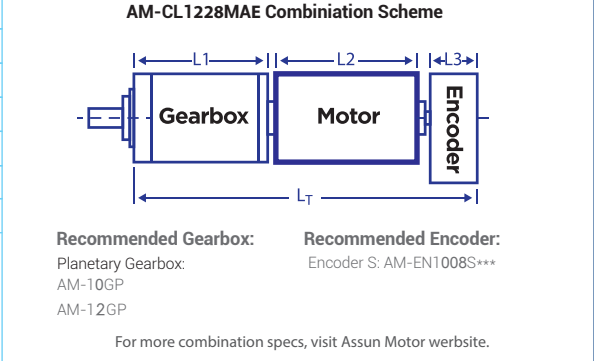
ADDITIONAL INFORMATION

Motor thermal resistance:	31K/W	Motor thermal time constant:	194S
Axial (dynamic):	0.5 N	Radial (5mm from mounting face):	1.5 N
Press-fit force (static):	0.5 N	Max allowable screw depth into flange:	1.2mm
Maximum radial play (5mm from mounting face):	≤0.02 mm	Axial play	Preset
Maximum winding temperature:	125°C	Ambient temperature range:	-40 to 85°C
Standard rear shaft diameter:	1 mm	Standard rear shaft length "L":	0/2.2 mm

Total Length (Gearbox and Motor): L_T=L₁+L₂+ L₃

L1:10GP	L1:12GP	L2:CL12	L3: EN10S
6.8	15.4	28.0	8
10	19.6		
13.2	23.8		
16.4	28		
19.6	32.2		

Remarks: Client can choose gearbox and encoder to match with this motor. Some combinations are listed here for reference.



Motor data tested at 25°C. Motor operation exceeding continuous limits will reduce life or result in damage. At elevated ambient temperatures, load current must be reduced.

Download datasheet: <https://assunmotor.com/documents-download>

Visit Our Website and Online Shop at <https://assunmotor.com> Contact: info@assunmotor.com