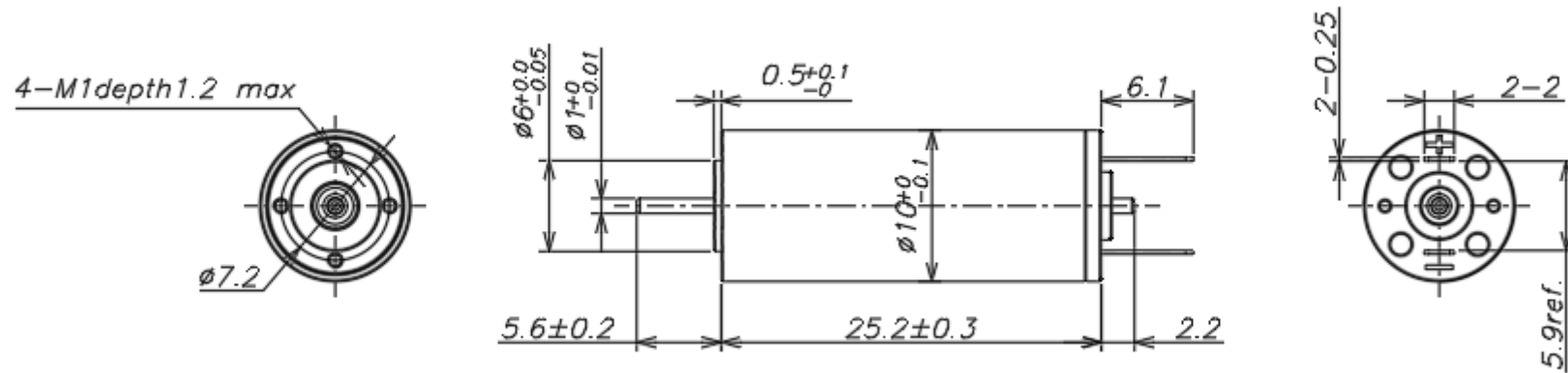


# DC Brushed Motor AM-CL1025MAE-1212 Ref. S620101001



		Graphite brush		Ball bearings					
Motor Model	Nominal voltage	No load speed $\pm 12\%$	No load current Max 150%	Recommend limit for continuous operating				Starting current	Stall torque
				Max cont. torque	Rated speed	Rated current	Rated power		
	V	rpm	mA	mN.m	rpm	A	W	A	mN.m
1212	12	12500	10	2.1	6050	0.205	1.3	0.458	5.1
Max power output	Max efficiency	Terminal resistance $\pm 12\%$	Inductance (1KHZ)	Mechanical time constant	Moment of inertia	Torque constant	Speed constant	Speed/ torque gradient	Weight
W	%	$\Omega$	mH	ms	gcm <sup>2</sup>	mN.m/A	rpm/V	rpm/mN.m	g
1.3	81	25.9	0.241	3.7	0.14 ref.	11.1	1068	2450	---
Additional Information									
Motor thermal resistance:				--- K/W	Motor thermal time constant:				--- S
Max. axial load(dynamic):			0.5N	Max. radial load (5mm from head face):				1.5 N	
Press-fit force (static):			0.5 N	Max allowable screw depth into flange:				1.2 mm	
Maximum radial runout (5mm from the thread surface):				$\leq 0.02$ mm	Axial play:				Preset
F: Front axle extension:			5.6 mm	R: Rear axle extension:			2.4mm		
Maximum winding temperature:			100 °C	Ambient temperature range:				-40-65 °C	
Motor data tested at 25°C. Motor operation exceeds continuous limits of operating range will reduce life cycle or result in damage.									

2023 edition. Specifications are subject to changes without notice.