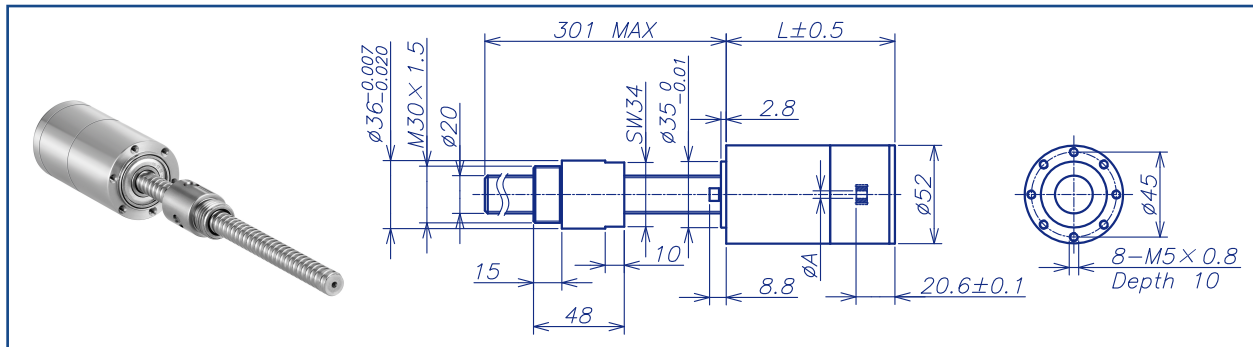


## AM-BS2005-301-52GP Series



### SCREW CHARACTER

Screw	φ 20*5, GCr15, hardened	Radial play (5mm from flange)	< 0.05mm				
Standard length	301mm	Axial play	preloaded				
Special length (5mm steps)	Max.800mm	Max.continuous input speed	6000rpm				
Nut (standard)	thread nut	Recommended Temperature Range	-40°C ~ +100°C				
Material	15CrMo, hardened	Max.axial load(static)					
Axial play	< 0.01mm	Number of stages	0	1	2	3	4
Planetary	straight teeth	Max. radial load: (15mm from flange)	360N	440N	660N	700N	700N
Bearing	ball bearing/thrust ball bearing						

### SCREW DRIVE DATA

Reduction	1:1	3.5:1	12:1	19:1	43:1	81:1	186:1	353:1
Absolute reduction	1/1	7/2	49/4	169/9	343/8	2197/27	4459/24	28561/81
Max.feed velocity (mm/s)	250	142.9	40.8	26.6	11.7	6.1	2.7	1.4
Max.feed force (continuous) (N)	1035	1248	1894	2184	2876	3561	4690	5807
Max.feed force (intermittent) (N)	2589	3120	4737	5461	7192	8904	11725	12000
Max. Gear Hole "A"	10	10	10	8	10	8	10	8
Reduction		4.3:1	15:1	26:1	53:1	91:1	257:1	488:1
Absolute reduction		13/3	91/6	26/1	637/12	91/1	1029/4	4394/9
Max.feed velocity (mm/s)		115.4	33	19.2	9.4	5.5	1.9	1
Max.feed force (continuous) (N)		1340	2034	2435	3089	3697	5227	6472
Max.feed force (intermittent) (N)		3350	5086	6087	7722	9243	12000	12000
Max. Gear Hole "A"		8	10	8	10	8	10	8
Reduction			21:1		66:1	113:1	319:1	546:1
Absolute reduction			21/1		1183/18	338/3	637/2	546/1
Max.feed velocity (mm/s)			23.8		7.6	4.4	1.6	0.9
Max.feed force (continuous) (N)			2267		3317	3970	5613	6718
Max.feed force (intermittent) (N)			5669		8292	9925	12000	12000
Max. Gear Hole "A"			10		10	8	10	8
Reduction					74:1	156:1	441:1	676:1
Absolute reduction					147/2	156/1	441/1	676/1
Max.feed velocity (mm/s)					6.8	3.2	1.1	0.7
Max.feed force (continuous) (N)					3443	4424	6256	7214
Max.feed force (intermittent) (N)					8607	11062	12000	12000
Max. Gear Hole "A"					10	8	10	8
Reduction					126:1		756:1	936:1
Absolute reduction					126/1		756/1	936/1
Max.feed velocity (mm/s)					4		0.6	0.5
Max.feed force (continuous) (N)					4120		7488	8040
Max.feed force (intermittent) (N)					10302		12000	12000
Max. Gear Hole "A"					10		10	8
Number of stages	0 <sup>2</sup>	1	2	2	3	3	4	4
Max. efficiency gearhead incl. screw (%)	93	84	75	75	68	68	61	61
Weight (g)	2090	2090	2310	2310	2520	2520	2730	2730
Average backlash no load (°)	0.5°	0.6°	0.7°	0.7°	0.7°	0.7°	0.7°	0.7°
Mechanical positioning accuracy (mm)	0.045	0.046	0.047	0.047	0.047	0.047	0.047	0.047
Mass inertia gearhead incl. screw (gcm <sup>2</sup> )	617.89	68.8	25.13	25.13	21.38	21.38	21.09	21.09
Gearhead length L1 (mm)	89.3	89.3	105.8	105.8	122.3	122.3	138.8	13.8

1/ based on screw length 301 mm (standard length) 2/ for reduction 1:1=3000rpm For the recommended combination specs, visit AM-52GP.

Download datasheet: <https://assunmotor.com/documents-download>

Visit Our Website and Online Shop at <https://assunmotor.com> Contact: [info@assunmotor.com](mailto:info@assunmotor.com)