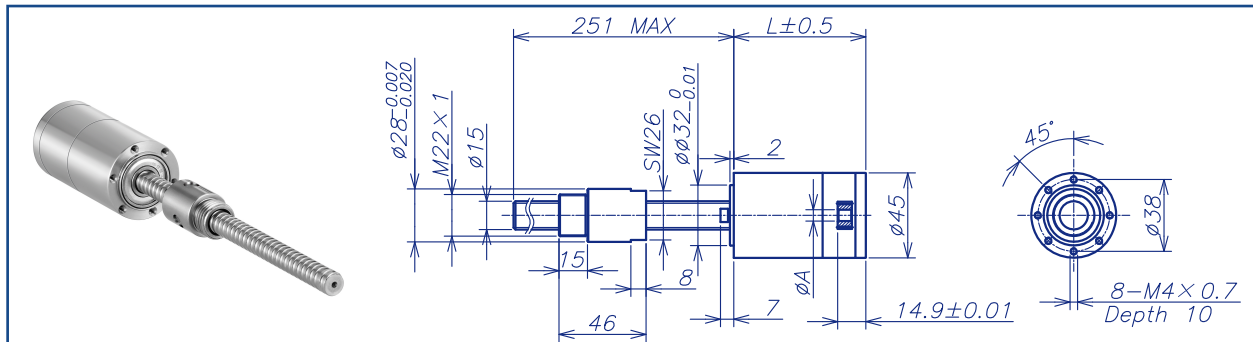


AM-BS1505-251-45GP Series



SCREW CHARACTER

Screw	φ 15*5, GCr15, hardened	Radial play (5mm from flange)	< 0.05mm				
Standard length	251mm	Axial play	preloaded				
Special length (5mm steps)	Max.600mm	Max.continuous input speed	8000rpm				
Nut (standard)	thread nut	Recommended Temperature Range	-40°C ~ +100°C				
Material	15CrMo, hardened	Max.axial load(static)	9000N				
Axial play	< 0.01mm	Number of stages	0	1	2	3	4
Planetary	straight teeth	Max. radial load: (15mm from flange)	360N	440N	660N	700N	700N
Bearing	ball bearing/thrust ball bearing						

SCREW DRIVE DATA

Reduction	1:1	3.3:1	11:1	27:1	37:1	69:1	213:1	361:1
Absolute reduction	1/1	10/3	100/9	676/25	1000/27	208/3	640/3	5408/15
Max.feed velocity (mm/s)	333.3	200	60	124.7	18	9.6	3.1	1.8
Max.feed force (continuous) (N)	705	836	1248	1680	1865	2299	3344	3983
Max.feed force (intermittent) (N)	1764	2092	3122	4199	4663	5747	8360	9000
Max. Gear Hole "A"	8	8	8	6	8	8	8	6
Reduction		4:1	13:1		44:1	83:1	256:1	433:1
Absolute reduction		4/1	40/3		400/9	416/5	256/1	10816/25
Max.feed velocity (mm/s)		166.7	50		15	8	2.6	1.5
Max.feed force (continuous) (N)		912	1327		1982	2443	3553	4232
Max.feed force (intermittent) (N)		2281	3317		4956	6108	8883	9000
Max. Gear Hole "A"		8	8		8	8	8	8
Reduction		5.2:1	16:1		53:1	90:1	277:1	469:1
Absolute reduction		26/5	16/1		160/3	1352/15	832/3	35152/75
Max.feed velocity (mm/s)		128.2	41.7		12.5	7.4	2.4	1.4
Max.feed force (continuous) (N)		969	1410		2106	2509	3649	4347
Max.feed force (intermittent) (N)		2424	3525		5266	6273	9000	9000
Max. Gear Hole "A"		6	8		8	8	8	6
Reduction			17:1		58:1	108:1	300:1	562:1
Absolute reduction			52/3		520/9	2704/25	2704/9	70304/125
Max.feed velocity (mm/s)			38.5		11.5	6.2	2.2	1.2
Max.feed force (continuous) (N)			1448		2163	2666	3748	4619
Max.feed force (intermittent) (N)			3620		5408	6666	9000	9000
Max. Gear Hole "A"			8		8	8	8	8
Reduction			21:1		64:1	141:1	333:1	731:1
Absolute reduction			104/5		64/1	17576/125	1664/9	456976/625
Max.feed velocity (mm/s)			32.1		10.4	4.7	2	0.9
Max.feed force (continuous) (N)			1359		2238	2910	3878	5041
Max.feed force (intermittent) (N)			3847		5596	7275	9000	9000
Max. Gear Hole "A"			8		8	6	8	6
Number of stages	0 ²	1	2	2	3	3	4	4
Max. efficiency gearhead incl.screw (%)	93	84	75	75	68	68	61	61
Weight (g)	915	1085	1210	1210	1335	1335	1460	1460
Average backlash no load (°)	0.5°	0.7°	0.8°	0.8°	0.8°	0.8°	0.8°	0.8°
Mechanical positioning accuracy (mm)	0.046	0.047	0.048	0.048	0.048	0.048	0.048	0.048
Mass inertia gearhead incl.screw (gcm ²)	279.97	37.38	15.56	15.56	13.59	13.59	13.41	13.41
Gearhead length L1 (mm)	69.9	69.9	81.9	81.9	93.9	93.9	105.9	105.9

1/ based on screw length 251 mm (standard length) 2/ for reduction 1:1=4000rpm For the recommended combination specs, visit AM-45GP.

Download datasheet: <https://assunmotor.com/documents-download>

Visit Our Website and Online Shop at <https://assunmotor.com> Contact: info@assunmotor.com