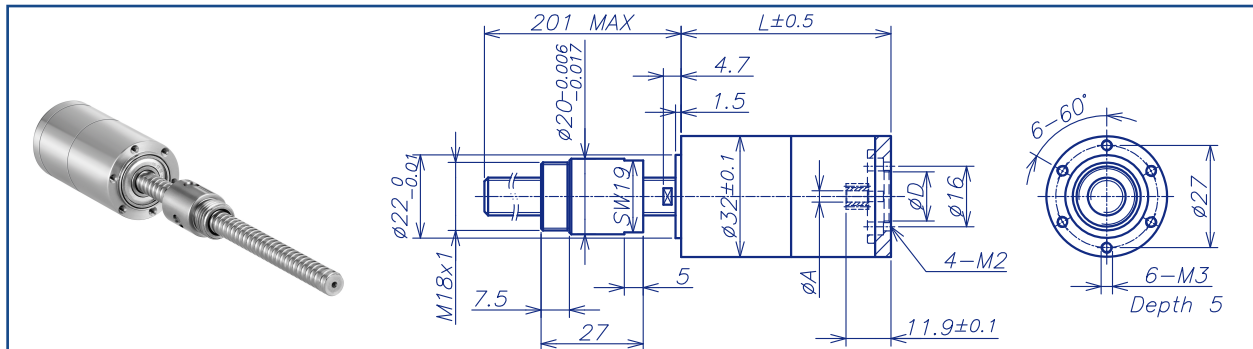


## AM-BS1002-201-32GP Series



### SCREW CHARACTER

Screw	$\phi 10 \times 2$ , GCr15, hardened	Radial play (5mm from flange)	< 0.05mm
Standard length	201mm	Axial play	preloaded
Special length (5mm steps)	Max.600mm	Max.continuous input speed	8000rpm
Nut (standard)	thread nut	Recommended Temperature Range	-40°C ~ +100°C
Material	GCr15, hardened	Max.axial load(static)	2700N
Axial play	< 0.01mm	Number of stages	0 1 2 3 4
Planetary	straight teeth	Max. radial load: (15mm from flange)	200N 200N 350N 400N 400N
Bearing	ball bearing/thrust ball bearing		

### SCREW DRIVE DATA

Reduction	1:1	3.4:1	11:1	33:1	38:1	81:1	244:1	465:1
Absolute reduction	1/1	27/8	729/64	529/16	19683/512	5175/64	15625/64	119025/256
Max.feed velocity (mm/s)	133	78	24	8.1	7.0	3.3	1.1	0.6
Max.feed force (continuous) (N)	380	453	670	966	1013	1303	1882	2334
Max.feed force (intermittent) (N)	1007	1200	1776	2560	2684	2700	2700	2700
Max. Gear Hole "A"	3	4	4	3	4	4	4	4
Reduction		4.2:1	14:1		47:1	100:1	301:1	574:1
Absolute reduction		25/6	225/16		6075/128	14375/144	390625/1296	3302625/576
Max.feed velocity (mm/s)		63	19		5.7	2.7	0.9	0.5
Max.feed force (continuous) (N)		486	726		1087	1398	1019	2504
Max.feed force (intermittent) (N)		1288	1924		2700	2700	2700	2700
Max. Gear Hole "A"		4	4		4	4	4	4
Reduction		5.8:1	17:1		59:1	112:1	337:1	642:1
Absolute reduction		23/4	625/36		1875/32	14283/128	43125/128	328509/512
Max.feed velocity (mm/s)		46	16		4.5	2.4	0.8	0.4
Max.feed force (continuous) (N)		541	775		1173	1452	2096	2599
Max.feed force (intermittent) (N)		1434	2054		2700	2700	2700	2700
Max. Gear Hole "A"		3	4		4	4	4	4
Reduction			19:1		65:1	138:1	377:1	792:1
Absolute reduction			621/32		16767/256	13225/96	385641/1024	304175/384
Max.feed velocity (mm/s)			14		4.1	1.9	0.7	0.3
Max.feed force (continuous) (N)			804		1211	1557	2176	2700
Max.feed force (intermittent) (N)			2131		2700	2700	2700	2700
Max. Gear Hole "A"			4		4	4	4	4
Reduction			24:1		72:1	190:1	416:1	1093:1
Absolute reduction			575/24		15625/216	12167/64	359375/864	279841/256
Max.feed velocity (mm/s)			11		3.7	1.4	0.6	0.2
Max.feed force (continuous) (N)			869		1253	1732	2249	2700
Max.feed force (intermittent) (N)			2303		2700	2700	2700	2700
Max. Gear Hole "A"			4		4	3	4	3
Number of stages	0 <sup>2</sup>	1	2	2	3	3	4	4
Max. efficiency gearhead incl. screw (%)	+%	84	75	75	68	68	61	61
Weight (g)	365	365	410	410	455	455	500	500
Average backlash no load ( ' )	0.6»	0.8»	1»	1»	1»	1»	1»	1»
Mechanical positioning accuracy (mm)	" Z %	0.038	" Z 38	" Z 38	" Z 39	" Z 39	" Z 39	" Z 39
Mass inertia gearhead incl. screw (gcm )	42.91	4.03	0.86	0.86	0.84	0.84	0.84	0.84
Gearhead length L1 (mm)	52.9	52.9	61.4	61.4	69.9	69.9	78.4	78.4

1/ based on screw length 201 mm (standard length) 2/ for reduction 1:1=4000rpm For the recommended combination specs, visit AM-32GP.

Download datasheet: <https://assunmotor.com/documents-download>

Visit Our Website and Online Shop at <https://assunmotor.com> Contact: [info@assunmotor.com](mailto:info@assunmotor.com)