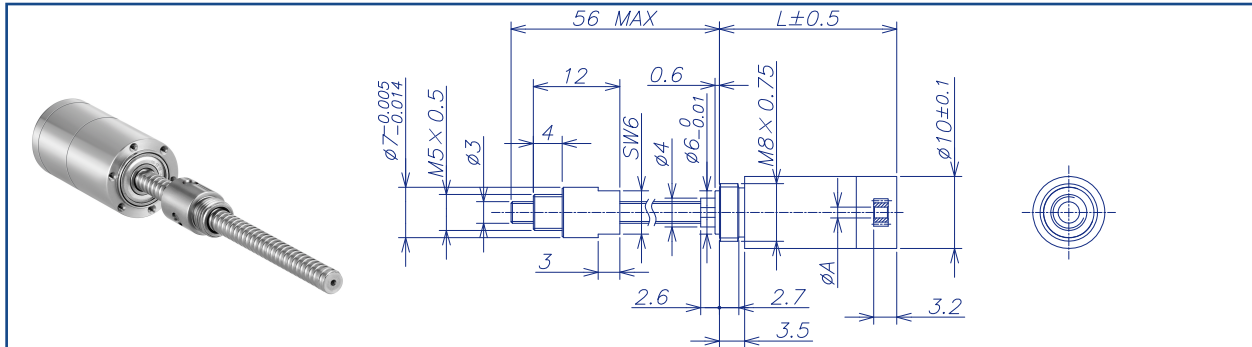


AM-BS0302-56-10GP Series



SCREW CHARACTER

Screw	φ 3*2, GCr15, hardened	Radial play (5mm from flange)	< 0.1mm				
Standard length	56mm	Axial play	preloaded				
Special length (5mm steps)	Max.120mm	Max.continuous input speed	12000rpm				
Nut (standard)	thread nut	Recommended Temperature Range	-40°C ~ +100°C				
Material	15CrMo, hardended	Max.axial load(static)	100N				
Axial play	<0.005mm	Number of stages	0	1	2	3	4
Planetary	straight teeth	Max. radial load: (5mm from flange)	10N	15N	17N	17N	17N
Bearing	ball bearing/thrust ball bearing						

SCREW DRIVE DATA

	4:1	16:1	64:1	256:1	1024:1			
Reduction	4:1	16:1	64:1	256:1	1024:1			
Absolute reduction	1/1	4/1	16/1	64/1	256/1			
Max.feed velocity (mm/s)	150	100	25	6.3	1.6			
Max.feed force (continuous) (N)	10	15	25	40	63			
Max.feed force (intermittent) (N)	20	30	50	80	100			
Max. Gear Hole "A"	1.5	1.5	1.5	1.5	1.5			
Reduction								
Absolute reduction								
Max.feed velocity (mm/s)								
Max.feed force (continuous) (N)								
Max.feed force (intermittent) (N)								
Max. Gear Hole "A"								
Reduction								
Absolute reduction								
Max.feed velocity (mm/s)								
Max.feed force (continuous) (N)								
Max.feed force (intermittent) (N)								
Max. Gear Hole "A"								
Reduction								
Absolute reduction								
Max.feed velocity (mm/s)								
Max.feed force (continuous) (N)								
Max.feed force (intermittent) (N)								
Max. Gear Hole "A"								
Reduction								
Absolute reduction								
Max.feed velocity (mm/s)								
Max.feed force (continuous) (N)								
Max.feed force (intermittent) (N)								
Max. Gear Hole "A"								
Number of stages	1	2	3	4	5			
Max. efficiency gearhead incl.screw (%)	84	75	68	61	55			
Weight (g)	35	40	45	50	55			
Average backlash no load (´)	1.3»	1.5»	1.6»	1.6»	1.6»			
Mechanical positioning accuracy (mm)	0.108	0.108	0.109	0.109	0.109			
Mass inertia gearhead incl.screw (gcm <sup>2</sup> )	0.05	0.1	0.1	0.1	0.1			
Gearhead length L1 (mm)	25	28.2	31.4	34.6	37.8			

1/ based on screw length 56mm (standard length) 2/ for reduction 1:1=4500rpm For the recommended combination specs, visit AM-10GP.

Download datasheet: <https://assunmotor.com/documents-download>

Visit Our Website and Online Shop at <https://assunmotor.com> Contact: [info@assunmotor.com](mailto:info@assunmotor.com)