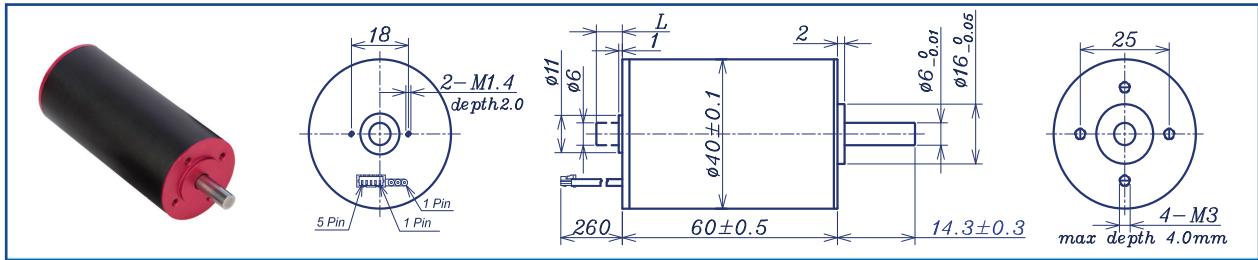


AM-BL4060AE Series



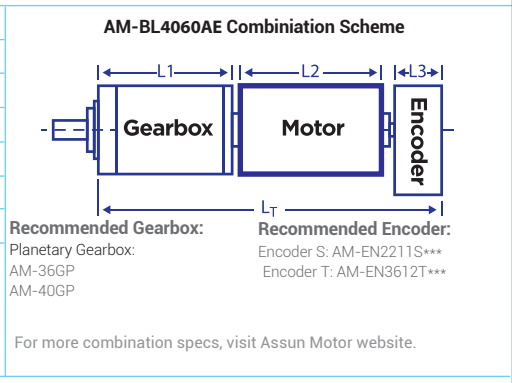
		Brushless Motor				Ball Bearings	
Motor Model		1208	2408	3608	4809		
Nominal voltage	V	12	24	36	48		
No load speed	±12% rpm	7950	7940	8560	9100		
No load current	Max 150% mA	400	200	150	120		
Recommend limit for continuous operating	Max cont. torque	mN.m	89.7	89.7	95	95	
	Rated Speed	rpm	6410	6250	6750	7350	
	Rated Current	mA	6700	3350	2540	2020	
	Rated Power	W	60	59	67.1	73.1	
Starting current	mA	33000	15000	11500	10000		
Stall torque	mN.m	460	420	450	490		
Maximum power output	W	96	87	100	118		
Maximum Efficiency	%	79.2	78.2	78.9	79.9		
Terminal resistance	±12% Ω	-	-	-	-		
Inductance (1KHz)	mH	-	-	-	-		
Mechanical time constant	ms	9.5	9.5	9.5	9.5		
Moment of inertia	gcm ²	14.25	51.36	51.36	51.36		
Torque constant	mN.m/A	14.1	28.5	39.7	49.9		
Speed constant	rpm/V	680	337	242	193		
Speed/torque gradient	rpm/mN.m	17.16	18.8	19	18.3		
Weight	g	400	400	400	400		

ADDITIONAL INFORMATION

Motor thermal resistance:	- K/W	Motor thermal time constant:	- S
Axial (dynamic):	8.0 N	Radial (5mm from mounting face):	80 N
Press-fit force (static):	211 N	Max allowable screw depth into flange:	4.0mm
Maximum radial play (5mm from mounting face):	≤0.02 mm	Axial play:	0 (<10 N)
Maximum winding temperature:	125°C	Ambient temperature range:	-40 to 65°C
Standard rear shaft diameter:	5 mm	Standard rear shaft length "L":	0/3.7/5.5 mm

Connection (AWG 20#)		Total Length: L _T =L1+L2+L3				
Cable 1: Yellow	Winding A	L1:36GP	L1:40GP	L2:BL40	L3:EN22S	L3:EN36T
Cable 2: Red	Winding B	39.6	46.8	60	10.7	12.0
Cable 3: Blue	Winding C	48.6	58.3			
Plug definition (AWG 28#)	Molex: 51021-0500	57.6	69.8			
Plug 1: Brown	Hall 3~16V					
Plug 2: Black	Hall GND					
Plug 3: Yellow	Hall A					
Plug 4: Red	Hall B					
Plug 5: Blue	Hall C					

Remarks: Client can choose gearbox and encoder to match with this motor. Some combinations are listed here for reference.



Motor data tested at 25°C. Motor operation exceeding continuous limits will reduce life or result in damage. At elevated ambient temperatures, load current must be reduced.

Download datasheet: <https://assunmotor.com/documents-download>

Visit Our Website and Online Shop at <https://assunmotor.com> Contact: info@assunmotor.com