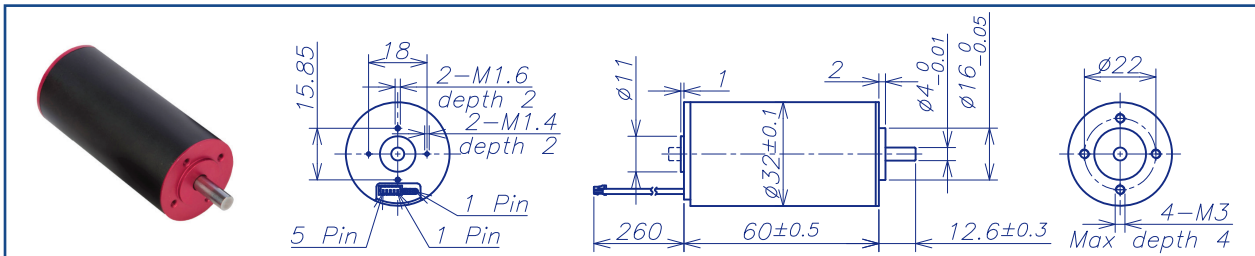


AM-BL3260AN Series

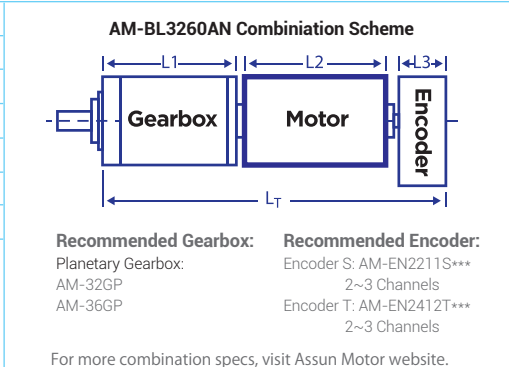


		Brushless Motor			Ball Bearings		
Motor Model		1212	1208	2413	2409	3613	3610
Nominal voltage	V	12	12	24	24	36	36
No load speed ±12%	rpm	12191	8127	12832	9752	12611	10449
No load current Max 150%	mA	355	192	190	160	125	94
Recommend limit for continuous operating	Max cont. torque	mN.m	31.3	42.1	28.6	34.4	29.1
	Rated Speed	rpm	11507	7245	12243	9305	12001
	Rated Current	mA	3700	3200	1800	1600	1200
	Rated Power	W	37.7	32.0	36.7	32.5	36.6
Starting current	mA	60000	27907	35294	120168	22360	15319
Stall torque	mN.m	557	388	624	468	603	498
Maximum power output	W	177.9	82.6	209.5	119.5	199.0	136.2
Maximum Efficiency	%	85	84	86	85	86	85
Terminal resistance ±12%	Ω	0.2	0.43	0.68	1.19	1.61	2.35
Inductance (1KH ₂)	mH						
Mechanical time constant	ms	3.0	2.9	2.9	2.9	2.9	2.9
Moment of inertia	gcm ²	13.3	13.3	13.3	13.3	13.3	13.3
Torque constant	mN.m/A	9.3	14.0	17.8	23.4	27.1	32.7
Speed constant	rpm/V	1022	682	538	409	352	292
Speed/torque gradient	rpm/mN.m	21.9	20.9	20.6	20.8	20.9	21.0
Weight	g	240	240	240	240	240	240

ADDITIONAL INFORMATION

Motor thermal resistance:	7.8 K/W	Motor thermal time constant:	1089 S
Axial (dynamic):	6.0 N	Radial (5mm from mounting face):	28.0 N
Press-fit force (static):	110 N	Max allowable screw depth into flange:	4.0 mm
Maximum radial play (5mm from mounting face):	≤0.02 mm	Axial play:	0 (<6.0N)
Maximum winding temperature:	85°C	Ambient temperature range:	-30 to 65°C
Standard rear shaft diameter:	4 mm	Standard rear shaft length "L":	0/3.7/5.5 mm

Connection (AWG 20#)	Total Length: L _T =L1+L2+L3				
Cable 1:Yellow Winding A	L1:32GP	L1:36GP	L2:BL32	L3:EN22S	L3:EN24T
Cable 2:Red Winding B	27.4	30.6	60.0	10.7	12.0
Cable 3: Blue Winding C	35.9	39.6			
Plug definition (AWG 28#) Molex:51021-0500	44.4	48.6			
	52.9	57.6			
Plug 1: Brown Hall 3~16V					
Plug 2: Black Hall GND					
Plug 3:Yellow Hall A	Remarks: Client can choose gearbox and encoder to match with this motor. Some combinations are listed here for reference.				
Plug 4: Red Hall B					
Plug 5:Blue Hall C					



Motor data tested at 25°C. Motor operation exceeding continuous limits will reduce life or result in damage. At elevated ambient temperatures, load current must be reduced.

Download datasheet: <https://assunmotor.com/documents-download>

Visit Our Website and Online Shop at <https://assunmotor.com> Contact: info@assunmotor.com