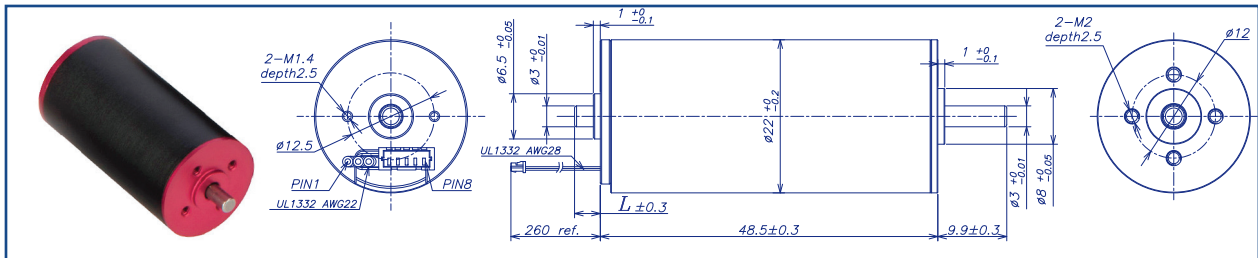


DC BRUSHLESS MOTOR HIGH TEMPERATURE SERIES



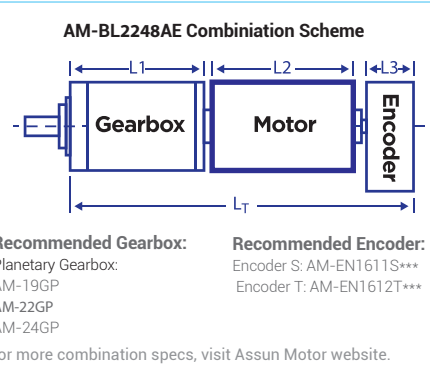
AM-BL2248AE Series



		Brushless Motor		Ball Bearings	
Motor Model		2412	2432		
Nominal voltage		V	24	24	
No load speed $\pm 12\%$		rpm	11700	32000	
No load current Max 150%		mA	280	380	
Recommend limit for continuous operating	Max cont. torque	mN.m	22.5	22.7	
	Rated Speed	rpm	10400	30500	
	Rated Current	mA	1200	3400	
	Rated Power	W	24.5	72.7	
Starting current		mA	12100	64400	
Stall torque		mN.m	214	487	
Maximum power output		W	62	409	
Maximum Efficiency		%	86.7	91	
Terminal resistance $\pm 12\%$		Ω	2	0.32	
Inductance (1KHz)		mH	-	-	
Mechanical time constant		ms	-	-	
Moment of inertia		gcm ²	4.2	4.2	
Torque constant		mN.m/A	17.7	7.6	
Speed constant		rpm/V	487	1367	
Speed/torque gradient		rpm/mN.m	54.7	65.9	
Weight		g	96.2	96.2	

ADDITIONAL INFORMATION			
Motor thermal resistance:	-K/W	Motor thermal time constant:	-S
Axial (dynamic):	4.0 N	Radial (5mm from mounting face):	4.0 N
Press-fit force (static):	60 N	Max allowable screw depth into flange:	2.5 mm
Maximum radial play (5mm from mounting face):	≤ 0.02 mm	Axial play:	Preset
Maximum winding temperature:	125°C	Ambient temperature range:	-40 to 65°C
Standard rear shaft diameter:	3 mm	Standard rear shaft length "L":	0/3.7/5.5 mm

Connection (AWG 24#)	Total Length: $L_T = L_1 + L_2 + L_3$				
	L1:19GP	L1:24GP	L2:BL22	L3:EN16S	L3:EN16T
Cable 1: Yellow Winding A	18.8	24.0	32.0	10.7	12.0
Cable 2: Red Winding B	23.6	34.3			
Cable 3: Blue Winding C	28.4	42.8			
Plug definition (AWG 28#) Molex: 51021-0500					
Plug 1: Brown Hall 3~16V	Remarks: Client can choose gearbox and encoder to match with this motor. Some combinations are listed here for reference.				
Plug 2: Black Hall GND					
Plug 3: Yellow Hall A					
Plug 4: Red Hall B					
Plug 5: Blue Hall C					



Motor data tested at 25°C. Motor operation exceeding continuous limits will reduce life or result in damage. At elevated ambient temperatures, load current must be reduced.

Download datasheet: <https://assunmotor.com/documents-download>

Visit Our Website and Online Shop at <https://assunmotor.com> Contact: info@assunmotor.com