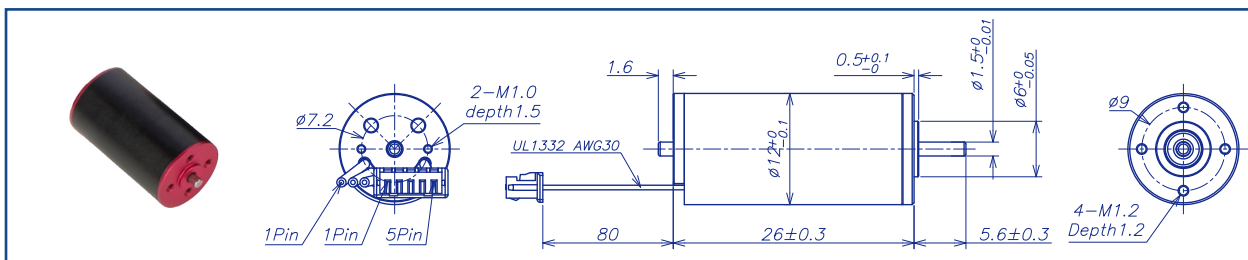


AM-BL1226AE Series

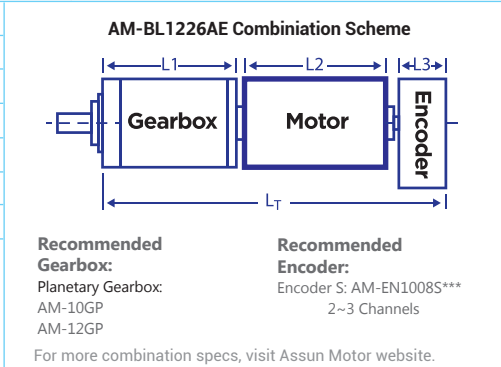


		Brushless Motor			Ball Bearings	
Motor Model		0621	1229	2430		
Nominal voltage		V	6	12	24	
No load speed ±12%		rpm	21240	28800	29860	
No load current Max 150%		mA	75	50	30	
Recommend limit for continuous operating	Max cont. torque	mN.m	2.38	2.38	2.38	
	Rated Speed	rpm	13970	20500	21086	
	Rated Current	mA	903	610	316	
	Rated Power	W	3.48	5.1	5.26	
Starting current		mA	2497	1994	1014	
Stall torque		mN.m	6.95	8.27	8.10	
Maximum power output		W	3.87	6.2	6.3	
Maximum Efficiency		%	75	77	77	
Terminal resistance ±12%		Ω	2.15	5.34	21	
Inductance (1KH <sub>2</sub> )		mH	Null	Null	Null	
Mechanical time constant		ms	5.1	5.1	4.4	
Moment of inertia		gcm <sup>2</sup>	0.17	0.17	0.17	
Torque constant		mN.m/A	2.87	4.25	8.2	
Speed constant		rpm/V	3611	2525	1275	
Speed/torque gradient		rpm/mN.m	3055	3484	3688	
Weight		g	--	--	--	

ADDITIONAL INFORMATION

Motor thermal resistance:	- K/W	Motor thermal time constant:	-S
Axial (dynamic):	0.5N	Radial (5mm from mounting face):	5 N
Press-fit force (static):	0.5N	Max allowable screw depth into flange:	1.2 mm
Maximum radial play (5mm from mounting face):	≤0.02 mm	Axial play:	Preset
Maximum winding temperature:	125°C	Ambient temperature range:	-40 to 85°C
Standard rear shaft diameter:	1.5 mm	Standard rear shaft length "L":	1.6 mm

Connection (AWG 26#)	Total Length: L <sub>T</sub> =L1+L2+L3			
Cable 1: Yellow Winding A	L1:10GP	L1:12GP	L2:BL12	L3:EN10S
Cable 2: Red Winding B	6.8	15.4	26.0	8
Cable 3: Blue Winding C	10	19.6		
Plug definition (AWG 28#) Molex: 51021-0500	13.2	23.8		
	16.4	28		
Plug 1: Brown Hall 3~16V	19.2	32.2		
Plug 2: Black Hall GND	Remarks: Client can choose gearbox and encoder to match with this motor. Some combinations are listed here for reference.			
Plug 3: Yellow Hall A				
Plug 4: Red Hall B				
Plug 5: Blue Hall C				



Motor data tested at 25°C. Motor operation exceeding continuous limits will reduce life or result in damage.  
At elevated ambient temperatures, load current must be reduced.

Download datasheet: <https://assunmotor.com/documents-download>

Visit Our Website and Online Shop at <https://assunmotor.com> Contact: [info@assunmotor.com](mailto:info@assunmotor.com)