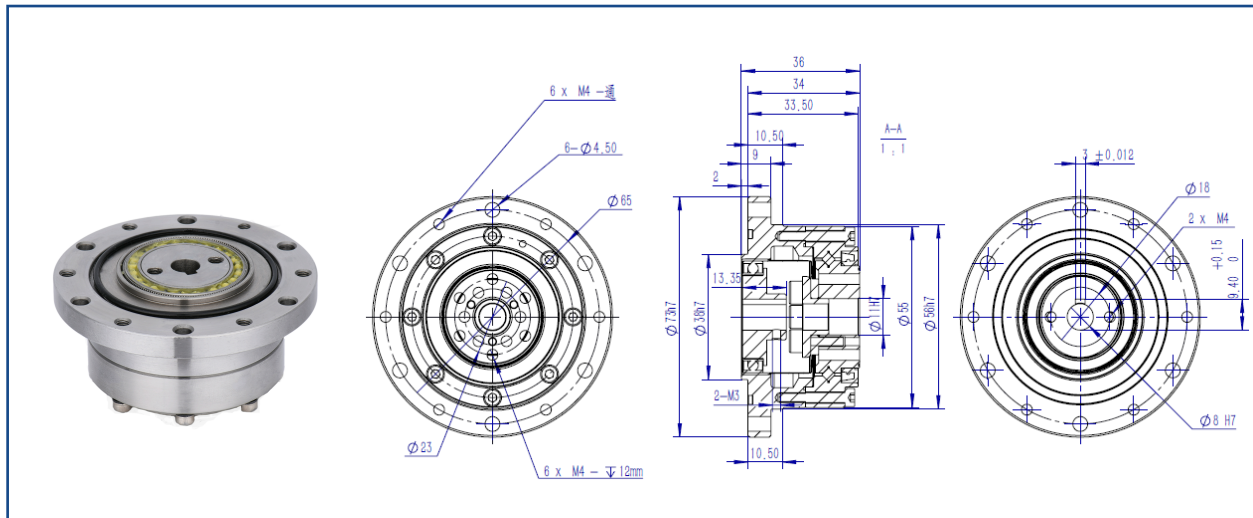


AM-73XB(CSF-14) Series



PARAMETER

Reduction ratio	30	50	80	100
Nominal torque at input speed 2000r/min(N.m)	4	5.4	7.8	7.8
Peak torque at start-stop(N.m)	9	18	23	28
Maximum of average load torque(N.m)	6.8	6.9	11	11
Max intermittent torque(N.m)	17	35	47	54
Backlash(Arcses)	≤20	≤20	≤20	≤10
Maximum input speed(r/min)	8000			
Average input speed(r/min)	3500			
Inertia(1/4GD)(g.cm ²)	1.4x10 ²			
Weight (g)	≤0.49kg			
Designed life	7000			
Efficiency in nominal torque(25 °C)	62%	65%	60%	60%
Harmonic drive gearbox model	AM-73XBC-30	AM-73XBC-50	AM-73XBC-80	AM-73XBC-100

AM-73XB Example of combination

Gearbox Motor Encoder

LT

INPUT GEARBOX DATA

Max gear hole "A" $\phi 8 \text{ h7}$

With 2-M3x4 GB/T77-2000 hexagon flat-end set screws

MOTOR DIMENSION

Recommend Motor: Coreless Motor (w/E) AM-CL50**	Recommend Encoder: Suitable for Coreless Motor Encoder S: AM-EN2211S*** Encoder T: AM-EN2412T***	GEARBOX MOTOR LENGTH "LT"
Brushless Motor (w/E) AM-BL45**	Suitable for Brushless Motor Encoder S: AM-EN2211S*** Encoder T: AM-EN3612T***	Gear motor length L_T 150.2
		Harmonic length L_1 39.5
		Motor length L_2 100
		Encoder length L_3 10.7

Download datasheet: <https://assunmotor.com/documents-download>

Visit Our Website and Online Shop at <https://assunmotor.com> Contact: info@assunmotor.com