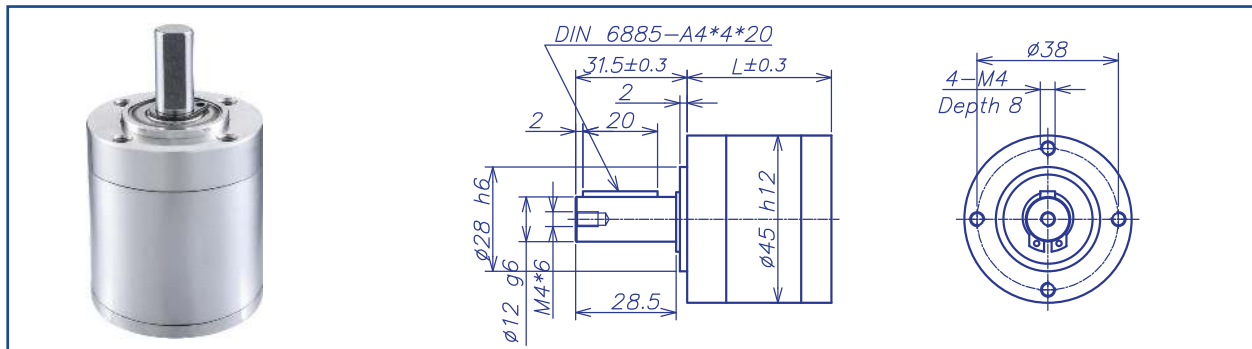


AM-45GP Series

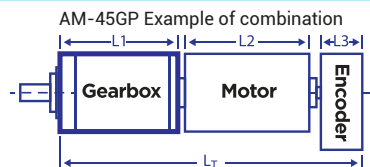


GEARBOX CHARACTER

Gear type	Straight teeth	Radial Play (10mm from flange)	max 0.1mm
Output shaft	Stainless steel hardened	Permissible force press fits	max. 300 N
Main gear	Alloy steel hardened	Permissible axial load (dynamic)	max. 150N
Ring gear	Alloy steel hardened	Recommended input speed	8000RPM
Adapter plate	Stainless steel hardened	Operating temperature range	-40°C ~ +100°C
Bearing AT output	Ball bearing	Operating humidity range	10-90%RH
Axial play	0-0.3	Number of stages	1 2 3 4
Directions	CW/CCW	Permissible load (18mm from flange)	180N 280N 370N 370N

GEARBOX DATA

Number of stage	1			2		3			4			
Reduction ratio X:1	3.3	4.0	5.2	11	27	37	64	141	123	256	469	731
Reduction ratio absolute	10/3	4/1	26/5	100/9	676/25	1000/27	64/1	17576/125	10000/81	256/1		456976/625
Motor shaft max. diameter (mm)	8	6		8	6		8	6		8		6
Gearbox length "L" (mm)	36.1			48.1		60.1			72.1			
Max. continuous torque (N.m)	3			7		12			14			
Max. intermittent torque (N.m)	4.5			10.5		18			21			
Average backlash no load	0.6°			0.7°		0.7°			0.7°			
Gearbox efficiency	90%			81%		73%			65%			
Max. mass inertia (g.cm ²)	12.85			13.35		13.39			13.4			
Gearbox weight approx (g)	435			560		685			810			
gearbox model	AM-45GPA-X			AM-45GPB-X		AM-45GPC-X			AM-45GPD-X			



Recommend Motor:
Coreless Motor (w/E)
AM-CL3570GAN
AM-CL4071GAE
Brushless Motor (w/E)
AM-BL3660AN AM-BD3660AN
AM-BL3675BF AM-BD45100AN
AM-BL3690BF
AM-BL4060BF
AM-BL45100AN
AM-BL45100BF

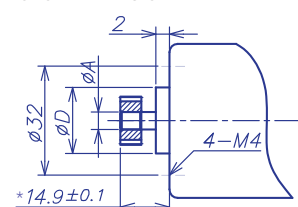
Recommend Encoder:
Suitable for Coreless Motor
Encoder S: AM-EN2211S***
Encoder T: AM-EN2412T***

Suitable for Brushless Motor
Encoder S: AM-EN2211S***
Encoder T: AM-EN3612T***

INPUT GEARBOX DATA

Modulus	0.6		
Press angle	20°		
Teeth number	15	21	27
Max gear hole "A"	6.0	8.0	8.0
Max motor shaft	6.0	8.0	8.0
Motor dimension "D"	11	15	18

MOTOR DIMENSION



GEARBOX MOTOR LENGTH "LT"

Gear motor length L _T	130.8	184.1
Gear box length L ₁ *	60.1	72.1
Motor length L ₂	60	100
Encoder length L ₃	10.7	12

*Note: If combined with AM-CL3570, L1=L+5mm, distance between gear and motor=14.9+5mm.

Download datasheet: <https://assunmotor.com/documents-download>

Visit Our Website and Online Shop at <https://assunmotor.com> Contact: info@assunmotor.com