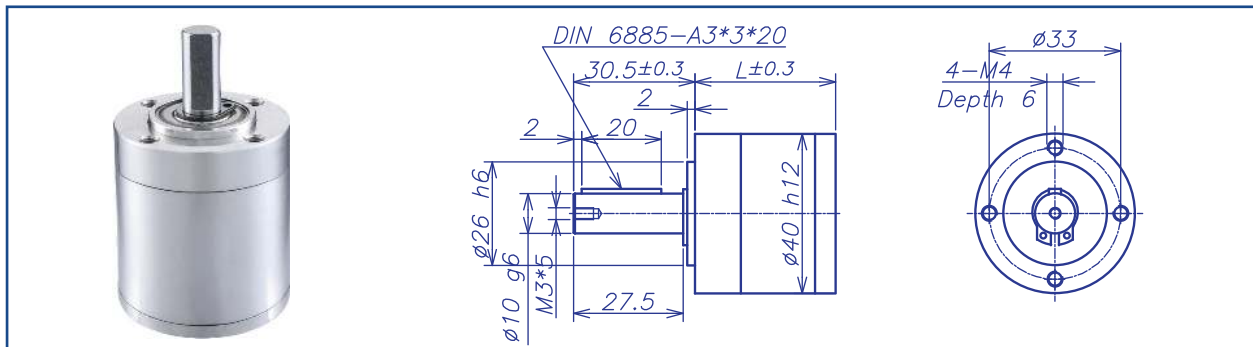


## AM-40GP Series

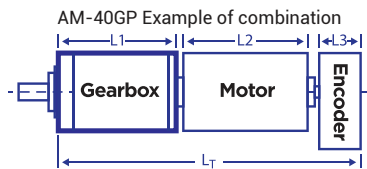


### GEARBOX CHARACTER

Gear type	Straight teeth	Radial Play (10mm from flange)	max 0.1mm
Output shaft	Stainless steel hardened	Permissible force press fits	max. 150 N
Main gear	Alloy steel hardened	Permissible axial load (dynamic)	max. 150N
Ring gear	Stainless steel hardened	Recommended input speed	8000RPM
Adapter plate	Stainless steel	Operating temperature range	-40°C ~ +100°C
Bearing AT output	Ball bearing	Operating humidity range	10-90%RH
Axial play	0-0.3	Number of stages	1    2    3    4
Directions	CW/CCW	Permissible load (18mm from flange)	170N   250N   300N   300N

### GEARBOX DATA

Number of stage	1			2		3			4			
Reduction ratio X:1	3.3	4	5.5	11	30	34	64	166	112	256	541	915
				13		42	72		137	286	666	
				16		52	88		169	320		
				18		58	98		189	352		
				22			121		208	393		
									232	484		
Reduction ratio absolute	13/4	4/1	11/2	169/16	121/4	2197/64	64/1	1331/8	28561/256	256/1	14641/16	
				13/1		169/4	143/2		2197/16	286/1		
				16/1		52/1	88/1		169/1	20449/64		
				143/8		1859/32	1573/16		24167/128	352/1		
				22/1			121/1		208/1	1573/4		
									1859/8	484/1		
										17303/32		
										1331/2		
Motor shaft max. diameter (mm)	6	5		6	5				6			5
Gearbox length "L" (mm)	35.3			46.8		58.3			69.8			
Max. continuous torque (N.m)	2			3		7			9			
Max. intermittent torque (N.m)	3			4.5		10.5			13.5			
Average backlash no load	0.7°			0.8°		0.8°			0.8°			
Gearbox efficiency	90%			81%		73%			65%			
Max. mass inertia (g.cm <sup>2</sup> )	7.12			7.46		7.49			7.5			
Gearbox weight approx (g)	320			415		510			605			
gearbox model	AM-40GPA-X			AM-40GPB-X		AM-40GPC-X			AM-40GPD-X			



Recommend Motor:  
Coreless Motor (w/E)  
AM-CL3570GAN  
AM-CL4071GAE

Brushless Motor (w/E)  
AM-BL3660AN  
AM-BL3675BF  
AM-BL3690BF  
AM-BL4060BF  
AM-BD3660AN

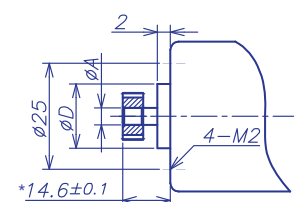
Recommend Encoder:  
Suitable for Coreless Motor  
Encoder S: AM-EN2211S\*\*\*  
Encoder T: AM-EN2412T\*\*\*

Suitable for Brushless Motor  
Encoder S: AM-EN2211S\*\*\*  
Encoder T: AM-EN2412T\*\*\*  
AM-EN3612T\*\*\*

### INPUT GEARBOX DATA

Modulus	0.6
Press angle	20°
Teeth number	12    18    24
Max gear hole "A"	5    6    6
Max motor shaft	5    6    6
Motor dimension "D"	9.5    13    16

### MOTOR DIMENSION



### GEARBOX MOTOR LENGTH "LT"

Gear motor length $L_T$	127.5	129	141.8
Gear box length $L_1^*$	46.8	58.3	69.8
Motor length $L_2$	70	60	60
Encoder length $L_3$	10.7	10.7	12

\*Note: If combined with AM-CL3570,  $L_1=L+5$ mm, distance between gear and motor= $14.6+5$ mm.

Download datasheet: <https://assunmotor.com/documents-download>

Visit Our Website and Online Shop at <https://assunmotor.com>    Contact: [info@assunmotor.com](mailto:info@assunmotor.com)