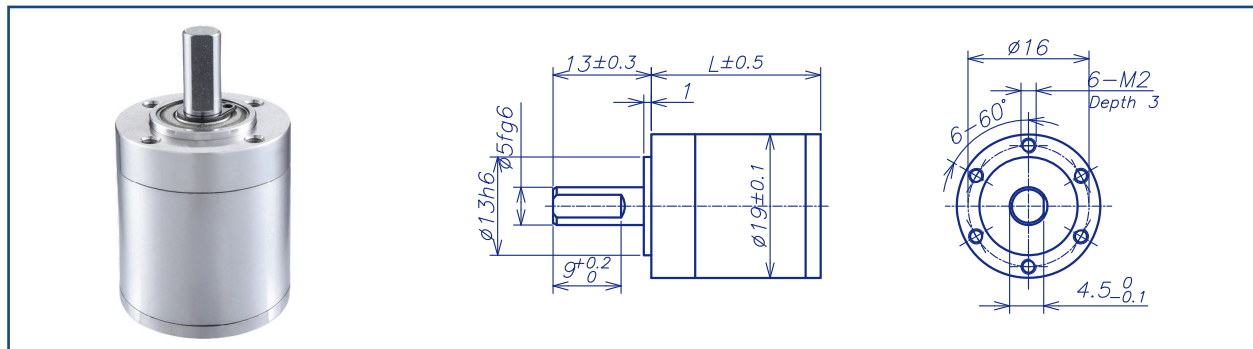


AM-19HP Series

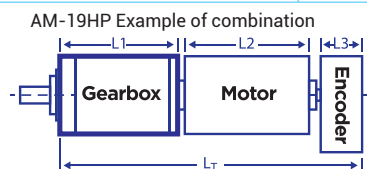


GEARBOX CHARACTER

Gear type	Straight teeth	Radial Play (8mm from flange)	max 0.1mm
Output shaft	Stainless steel hardened	Permissible force press fits	max. 100 N
Main gear	Alloy Steel hardened	Permissible axial load (dynamic)	max. 50N
Ring gear	Stainless steel hardened	Recommended input speed	15000RPM
Adapter plate	Stainless steel	Operating temperature range	-40°C ~ +100°C
Bearing AT output	Ball bearing	Operating humidity range	10-90%RH
Axial play	0-0.3	Number of stages	1 2 3 4
Directions	CW/CCW	Permissible load (5mm from flange)	60N 100N 120N 120N

GEARBOX DATA

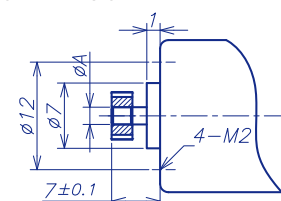
Number of stage	1			2		3		4		
	Reduction ratio X:1	3.8	4.4	5.4	14	19	53	72	198	316
Reduction ratio absolute				16	24	62	84	231	389	455
				20	29	76	89	270	479	561
							104	285	590	690
							109	333		
						128	410			
Reduction ratio absolute	15/4	57/13	27/5	225/16	3249/169	3375/64	48735/676	50625/256	2777895/8788	10556001/28561
				855/52	1539/65	12825/208	185193/2197	192375/832	263169/676	5000211/10985
				81/4	729/25	1215/16	4617/52	731025/2704	124659/260	2368521/4225
							87723/845	18225/64	59049/100	1121931/1625
						2187/20	69255/208			
						41553/325	6561/16			
Motor shaft max. diameter (mm)	3	2		3	2		3	2	3	2
Gearbox length "L" (mm)	17.6			22.4		27.2		32		
Max. continuous torque (N.m)	0.2			0.9		1.6		2		
Max. intermittent torque (N.m)	0.3			1.1		2		2.5		
Average backlash no load	1.2°			1.4°		1.4°		1.4°		
Gearbox efficiency	90%			81%		73%		65%		
Max. mass inertia (g.cm ²)	0.11			0.11		0.11		0.11		
Gearbox weight approx (g)	40			50		60		70		
gearbox model	AM-19HPA-X			AM-19HPB-X		AM-19HPC-X		AM-19HPD-X		



INPUT GEARBOX DATA

Modulus	0.35		
Press angle	20°		
Teeth number	10	13	16
Max gear hole "A"	2	2	3
Max motor shaft	2	2	3

MOTOR DIMENSION



Recommend Motor:
Coreless Motor (w/E):
AM-CL16***
AM-CL19***
AM-CL22***

Recommend Encoder:
Suitable for Coreless Motor
Encoder S: AM-EN1611S***
AM-EN2211S***

Brushless Motor (w/E):
AM-BL16***
AM-BL20***

Suitable for Brushless Motor
Encoder S: AM-EN1611S***
Encoder T: AM-EN1612T***

GEARBOX MOTOR LENGTH "LT"

Gear motor length L _T	40.6	73.1	79.2
Gear box length L ₁	17.6	22.4	27.2
Motor length L ₂	23	40	40
Encoder length L ₃	-	10.7	12

Download datasheet: <https://assunmotor.com/documents-download>

Visit Our Website and Online Shop at <https://assunmotor.com> Contact: info@assunmotor.com