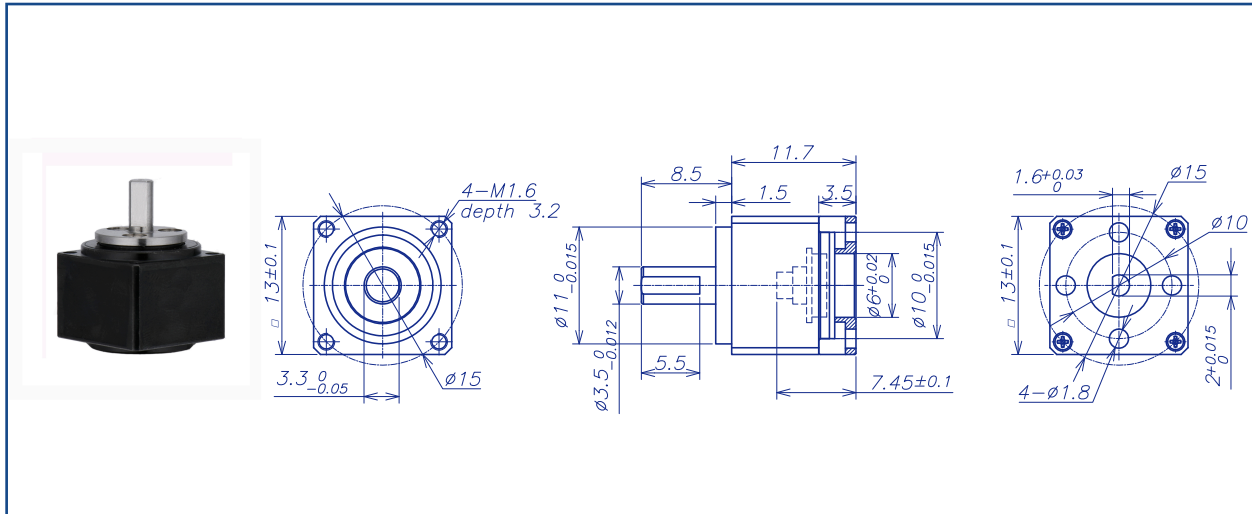


AM-13XB(CSF-03) Series



PARAMETER

Reduction ratio	30	50		
Nominal torque at input speed 2000r/min(N.m)	0.06	0.11		
Peak torque at start-stop(N.m)	0.13	0.21		
Maximum of average load torque(N.m)	0.1	0.13		
Max intermittent torque(N.m)	0.22	0.41		
Backlash(Arcses)	≤20	≤20		
Maximum input speed(r/min)			10000	
Average input speed(r/min)			6500	
Inertia(1/4GD)(g.cm ²)			5.3x10 ⁻⁷	
Weight (g)			≤0.03kg	
Designed life			7000	
Efficiency in nominal torque(25 °C)	62%	65%		
Harmonic drive gearbox model	AM-13XBC-30	AM-13XBC-50		

<p>AM-13XB Example of combination</p>	INPUT GEARBOX DATA Max gear hole "A" $\phi 2 H7$	MOTOR DIMENSION
	Recommend Motor: Coreless Motor (w/E) AM-CL1633/43 Brushless Motor (w/E) AM-BL16**	Recommend Encoder: Suitable for Coreless Motor Encoder S: AM-EN1611S*** Encoder T: - Suitable for Brushless Motor Encoder S: AM-EN1611S*** Encoder T: AM-EN1612T***

Download datasheet: <https://assunmotor.com/documents-download>

Visit Our Website and Online Shop at <https://assunmotor.com> Contact: info@assunmotor.com