



- Features :
  - 2:1 wide input range
  - 4:1 wide input range(option)
  - 1500VDC I/O isolation
  - 3000VDC I/O isolation(option)
  - Built-in EMI filter
  - Protections: Short circuit / Overload
  - Cooling by free air convection
  - Six-sided shield metal case
  - 100% burn-in test
  - Low cost / High reliability
  - Approvals: FCC / EAC / CE / UKCA
  - 2 years warranty

■ GTIN CODE

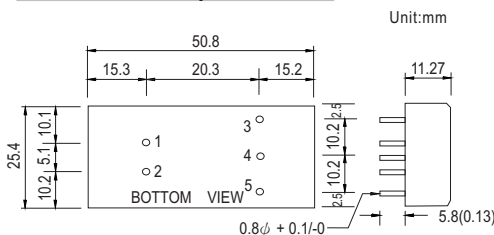
MW Search: <https://www.meanwell.com/serviceGTIN.aspx>



SPECIFICATION

ORDER NO.	SLW05A-05	SLW05B-05	SLW05C-05	SLW05A-09	SLW05B-09	SLW05C-09	SLW05A-12	SLW05B-12	SLW05C-12	SLW05A-15	SLW05B-15	SLW05C-15	
OUTPUT	DC VOLTAGE	5V			9V			12V			15V		
	CURRENT RANGE	100 ~ 1000mA			55.6 ~ 556mA			41.7 ~ 417mA			33.3 ~ 333mA		
	RATED POWER	5W											
	VOLTAGE ACCURACY	±2.0%											
	RIPPLE & NOISE (max.) Note.2	50mVp-p			60mVp-p			60mVp-p			60mVp-p		
	LINE REGULATION Note.3	±0.2%											
	LOAD REGULATION Note.4	±0.5%											
	SWITCHING FREQUENCY	50KHz min.											
INPUT	VOLTAGE RANGE	A: 9 ~ 18VDC B: 18 ~ 36VDC C: 36 ~ 72VDC											
	EFFICIENCY (Typ.)	75%	77%	77%	80%	80%	83%	80%	80%	83%	81%	81%	85%
	DC CURRENT	Full load A: 556mA B: 270mA C: 135mA No load A: 33mA B: 16mA C: 10mA											
	FILTER	Pi network											
	PROTECTION	Fuse recommended											
PROTECTION (Note. 5)	OVER CURRENT	160 ~ 250% rated output power Protection type : Hiccup mode, recovers automatically after fault condition is removed											
	SHORT CIRCUIT	All output equipped with short circuit Protection type : Hiccup mode, recovers automatically after fault condition is removed											
ENVIRONMENT	WORKING TEMP.	-25 ~ +71°C (Refer to "Derating Curve")											
	WORKING HUMIDITY	20% ~ 90% RH non-condensing											
	STORAGE TEMP., HUMIDITY	-25 ~ +105°C, 10 ~ 95% RH											
	TEMP. COEFFICIENT	±0.03% / °C (0 ~ 50°C)											
	VIBRATION	10 ~ 500Hz, 2G 10min./1cycle, period for 60min. each along X, Y, Z axes											
SAFETY & EMC	SAFETY STANDARDS	EAC TP TC 020/2011 approved											
	WITHSTAND VOLTAGE	I/P-O/P:1.5KVDC											
	ISOLATION RESISTANCE	I/P-O/P: 100M Ohms / 500VDC / 25°C / 70% RH											
	EMC EMISSION	Compliance to BS EN/EN55032 Class B, FCC part 15 Class B, EAC TP TC 020											
	EMC IMMUNITY	Compliance to BS EN/EN61000-4-2,3,4,5,6,8, light industry level, criteria A, EAC TP TC 020											
OTHERS	MTBF	800khrs min. MIL-HDBK-217F(25°C)											
	DIMENSION	50.8*25.4*11.27mm or 2"*1"*0.44" inch (L*W*H)											
	PACKING	31.2g ; 10pcs/per tube, 400pcs/40 tube/per carton											

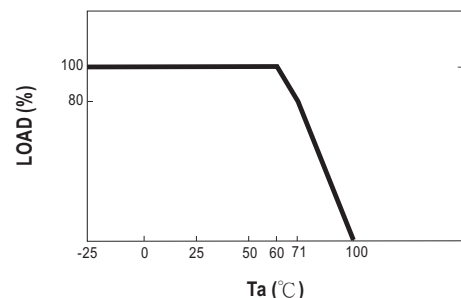
■ Mechanical Specification



■ Pin Configuration

Pin no.	Output Single
1	+Vin
2	-Vin
3	+Vout
4	No Pin
5	-Vout

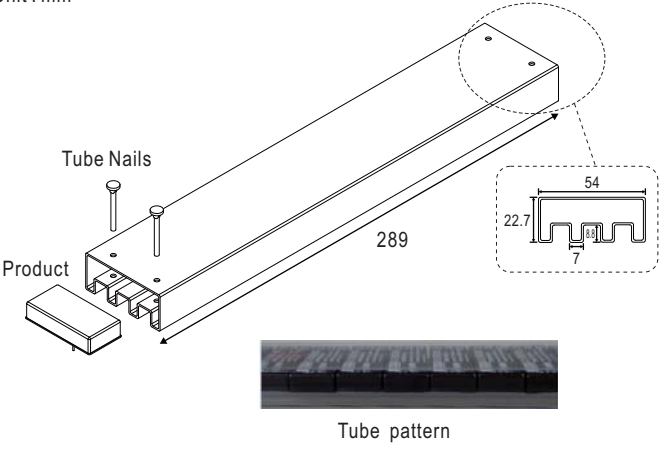
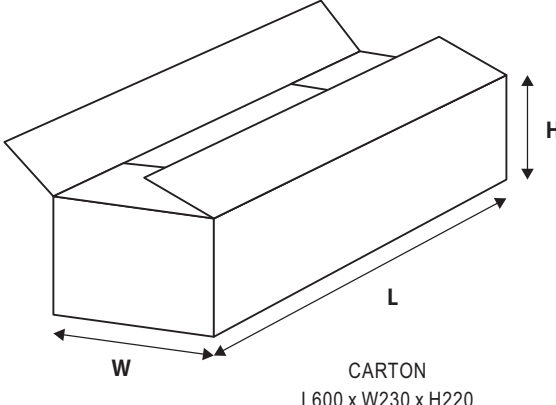
■ Derating Curve



NOTE

- All parameters are specified at normal input, rated load, 25°C 70% RH ambient.
  - Ripple & noise are measured at 20MHz by using a 12" twisted pair terminated with a 0.1uf & 47uf capacitor.
  - Line regulation is measured from low line to high line at rated load.
  - Load regulation is measured from 10% to 100% rated load.
  - Please prevent the converter from operating in overload or short circuit condition for more than 30 seconds.
- ※ Product Liability Disclaimer : For detailed information, please refer to <https://www.meanwell.com/serviceDisclaimer.aspx>

**Packing**

Standard Tube Packing	MPQ Per Tube (PCS)	One Tube G.W.	Max. Q'TY/ Carton(PCS)	One Carton G.W.
<p>Unit : mm</p>   <p>CARTON L600 x W230 x H220</p>	10	400g	400	16.8Kg

**Installation Manual**

Please refer to : <http://www.meanwell.com/manual.html>