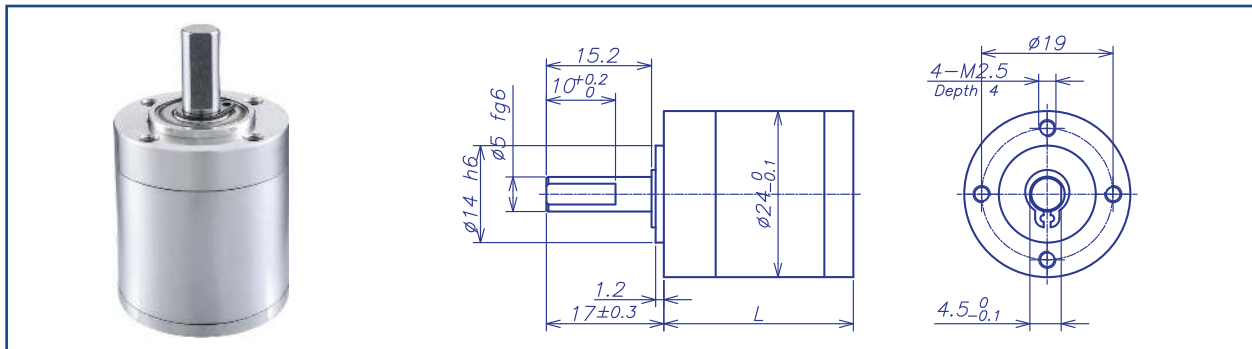


AM-24GP Series

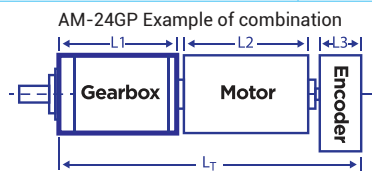


GEARBOX CHARACTER

Gear type	Straight teeth	Radial Play (10mm from flange)	max 0.1mm
Output shaft	Stainless steel hardened	Permissible force press fits	max. 150 N
Main gear	Alloy steel hardened	Permissible axial load (dynamic)	max. 100N
Ring gear	Stainless steel hardened	Recommended inut speed	8000RPM
Adapter plate	Stainless steel	Operating temperature range	-40°C ~ +100°C
Bearing AT output	Ball bearing	Operating humidity range	10-90%RH
Axial play	0-0.3	Number of stages	1 2 3 4
Directions	CW/CCW	Permissible load (12mm from flange)	65N 65N 70N 70N

GEARBOX DATA

Number of stage	1			2		3		4				
		3.3	4	5.5	11	30	34	64	166	112	256	541
Reduction ratio X:1				13		42	72		137	286	666	
				16		52	88		169	320		
				18		58	98		189	352		
				22			121		208	393		
									232	484		
Reduction ratio absolute	13/4	4/1	11/2	169/16	121/4	2197/64	64/1	1331/8	28561/256	256/1	14641/16	
				13/1		169/4	143/2		2197/16	286/1		
				16/1		52/1	88/1		169/1	20449/64		
				143/8		1859/32	1573/16		24167/128	352/1		
				22/1			121/1		208/1	1573/4		
Motor shaft max. diametre (mm)	4	2		4	2		4	2		4		2
Gearbox lenght "L" (mm)	22.2			27.4		32.6		37.8				
Max. continuous torque (N.m)	0.5			0.7		0.9		1.2				
Max. intermittent torque (N.m)	0.75			1.05		1.35		1.8				
Average backlash no load	1.0°			1.2°		1.3°		1.3°				
Gearbox efficiency	90%			81%		73%		65%				
Max. mass inertia (g.cm ²)	0.33			0.34		0.34		0.34				
Gearbox weight approx (g)	70			85		100		115				
gearbox model	AM-24GPA-X			AM-24GPB-X		AM-24GPC-X		AM-24GPD-X				



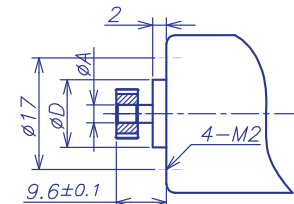
Recommend Motor:
Coreless Motor (w/E)
AM-CL2232GAN
AM-CL2232MAN
AM-CL2242GAN
AM-CL2242MAN
AM-CL2532MAN
AM-CL2545MAN
Brushless Motor (w/E)
AM-BL2032AN
AM-BL2040AN
AM-BL2051AN
AM-BL2453AN

Recommend Encoder:
Suitable for Coreless Motor
Encoder S: AM-EN1611S***
Encoder S: AM-EN2211S***
Suitable for Brushless Motor
Encoder S: AM-EN1611S***
Encoder T: AM-EN2412T***

INPUT GEARBOX DATA

Modulus	0.35
Press angle	20°
Teeth number	12 18 24
Max gear hole "A"	2 4 4
Max motor shaft	2 4 4
Motor dimension "D"	5.5 7.5 9.5

MOTOR DIMENSION



GEARBOX MOTOR LENGTH "LT"

Gear motor length L _T	64.9	80.1	97.6
Gear box length L ₁	22.2	27.4	32.6
Motor length L ₂	32	42	53
Encoder length L ₃	10.7	10.7	12

Download datasheet: <https://assunmotor.com/documents-download>

Visit Our Website and Online Shop at <https://assunmotor.com> Contact: info@assunmotor.com